

JOB NAME

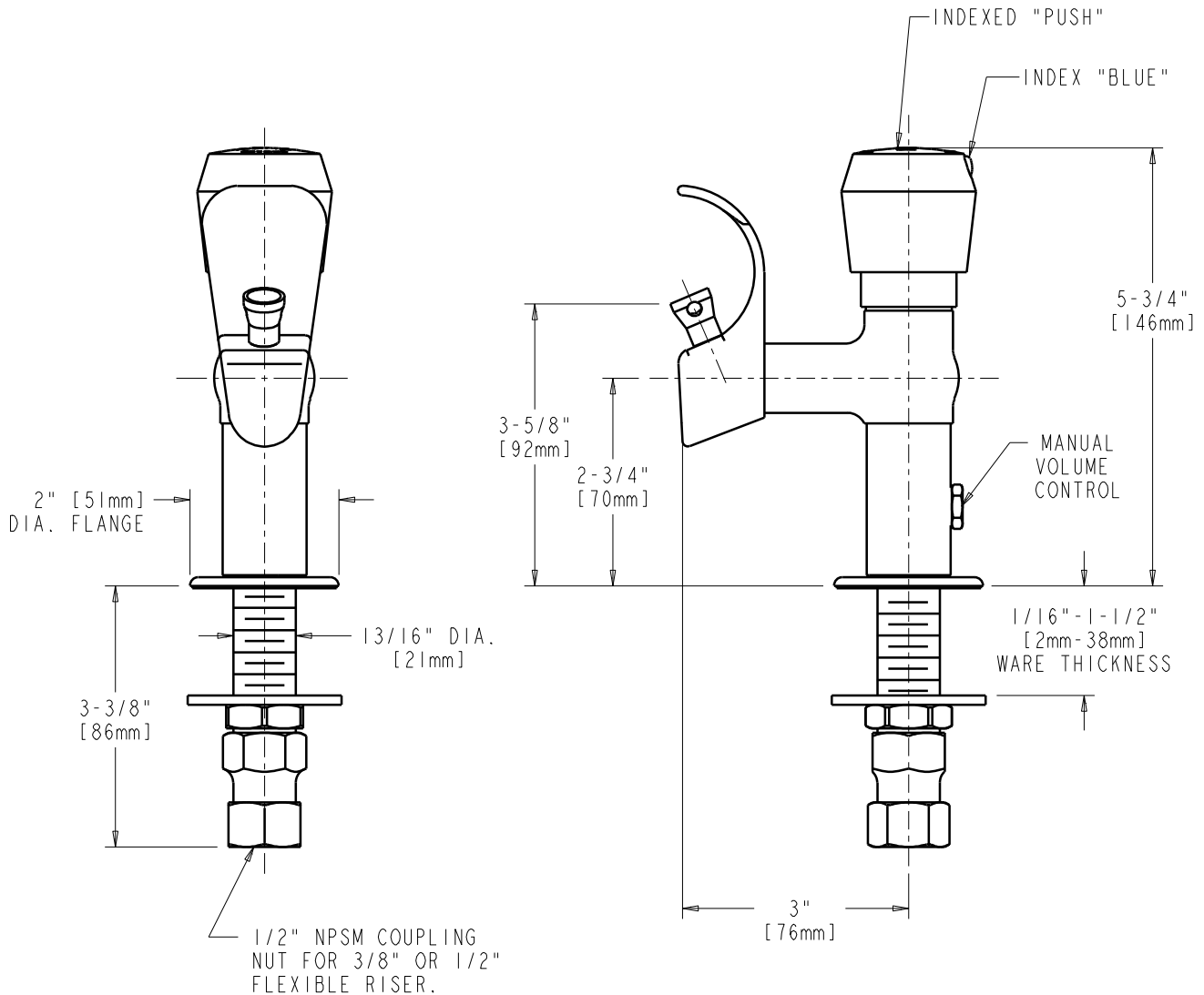
ITEM NO.

SUBMITTED AS SHOWN

SUBMITTED AS NOTED

SEE ATTACHED FOR
 SUBMITTED MODIFICATION

ROUGHING IN DIMENSIONS MAY VARY AND ARE SUBJECT TO CHANGE. NO RESPONSIBILITY IS ASSUMED FOR USE OF SUPERCEDED OR VOIDED DATA.



TECHNICAL DATA

- DRINKING FOUNTAIN
- 665 PUSH BUTTON HANDLE
- MVP SELF-CLOSING NON-METERING CARTRIDGE
- MANUAL VOLUME CONTROL
- FINISH: CHROME PLATE

- 0.7 GPM [2.6 L/min] FLOW CONTROL
- ASME A12.18.1M COMPLIANT
- CSA B125 COMPLIANT
- NSF 61 COMPLIANT

DATE: 01-11-07

BY: SID

CHK'D:

APP'D: *[Signature]*

REV: 07-23-07

748-665TB