

CHICAGO FAUCETS



2100 SOUTH CLEARWATER DRIVE
DES PLAINES, ILLINOIS 60018-5999

Last As Long As The Building

FITTING NO.

756

SUBMITTED MODEL NO.

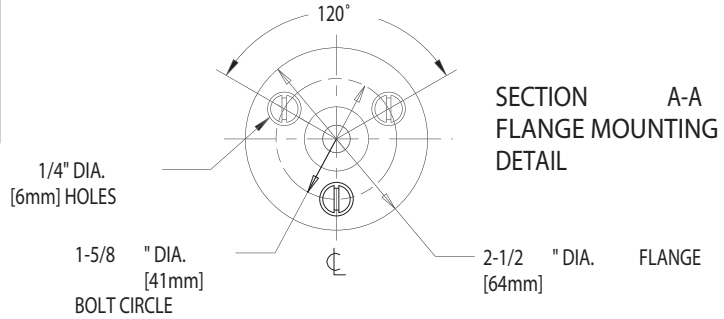
JOB NAME

ITEM NO.

SUBMITTED AS SHOWN

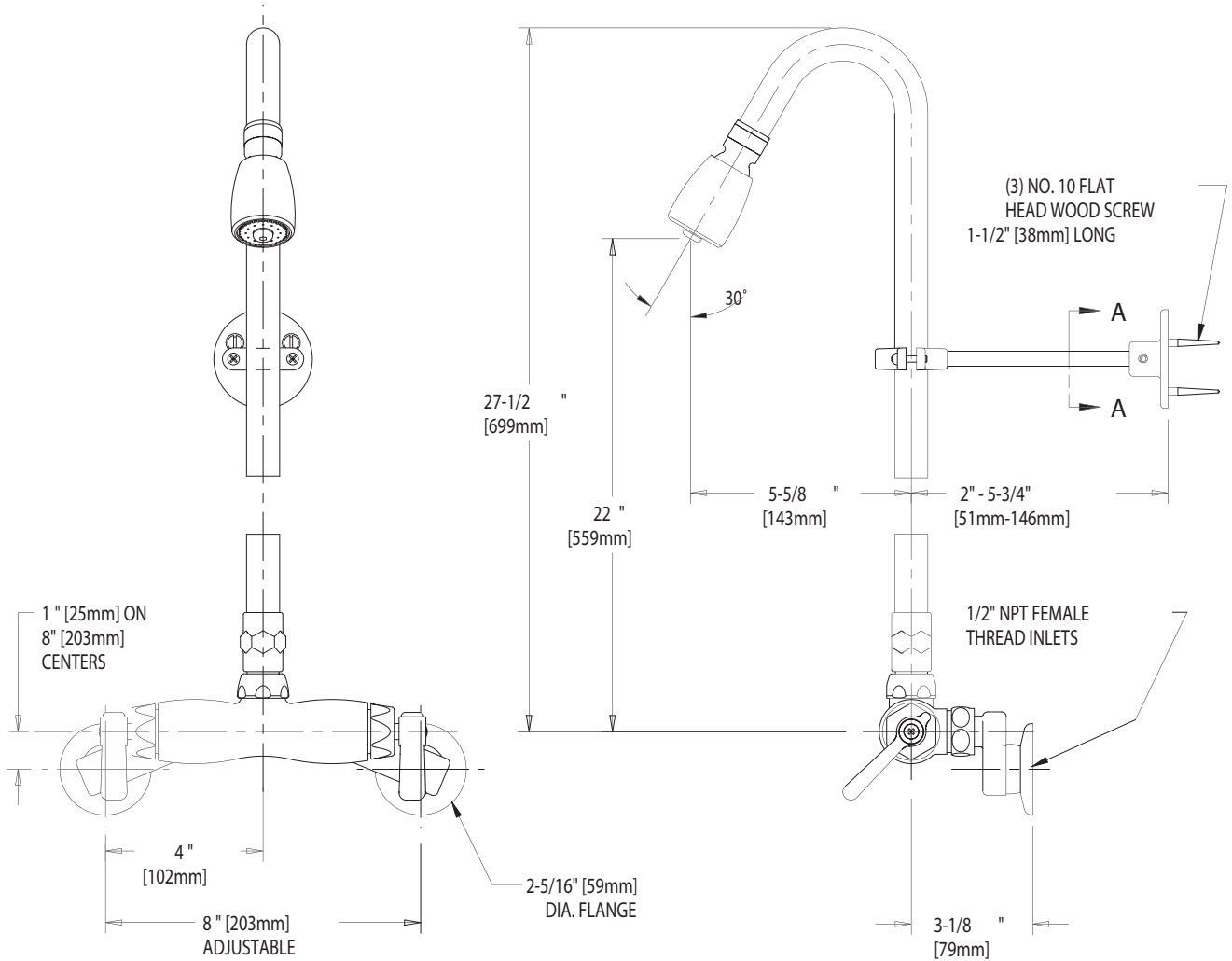
SUBMITTED AS NOTED

SEE ATTACHED FOR
SUBMITTED MODIFICATION



IS ASSUMED FOR USE OF SUPERCEDED OR VOIDED DATA.

ROUGHING IN DIMENSIONS MAY VARY AND ARE SUBJECT TO CHANGE. NO RESPONSIBILITY



DIMENSIONS IN INCHES AND [MILLIMETERS].

TECHNICAL DATA

- EXPOSED WALL MOUNTED TWO VALVE SHOWER FITTING
- 27-1/2" SHOWER RISER WITH WALL SUPPORT
- 369 INDEXED LEVER HANDLES
- QUATURN CARTRIDGES
- 1/2" NPT FEMALE INLETS
- FINISH: POLISHED CHROME

- "H" ADJUSTABLE SUPPLY ARMS
- 620 SHOWER HEAD
- 2.5 GPM [9.5 L/min.]
- ASME A112.18.1M COMPLIANT
- CSA B125 COMPLIANT

DATE: 4-19-02

BY: JAR

CHK'D:

APP'D:

REV: A

756