

E.F.O.
REL
8-2-07

CHICAGO FAUCETS

a Geberit company

2100 SOUTH CLEARWATER DRIVE
DES PLAINES, ILLINOIS 60018-5999

FITTING NO.

748-244

SUBMITTED MODEL NO.

JOB NAME

ITEM NO.

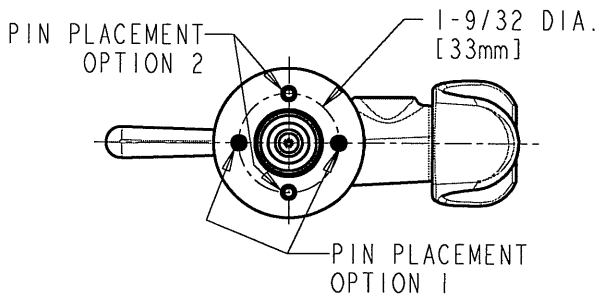
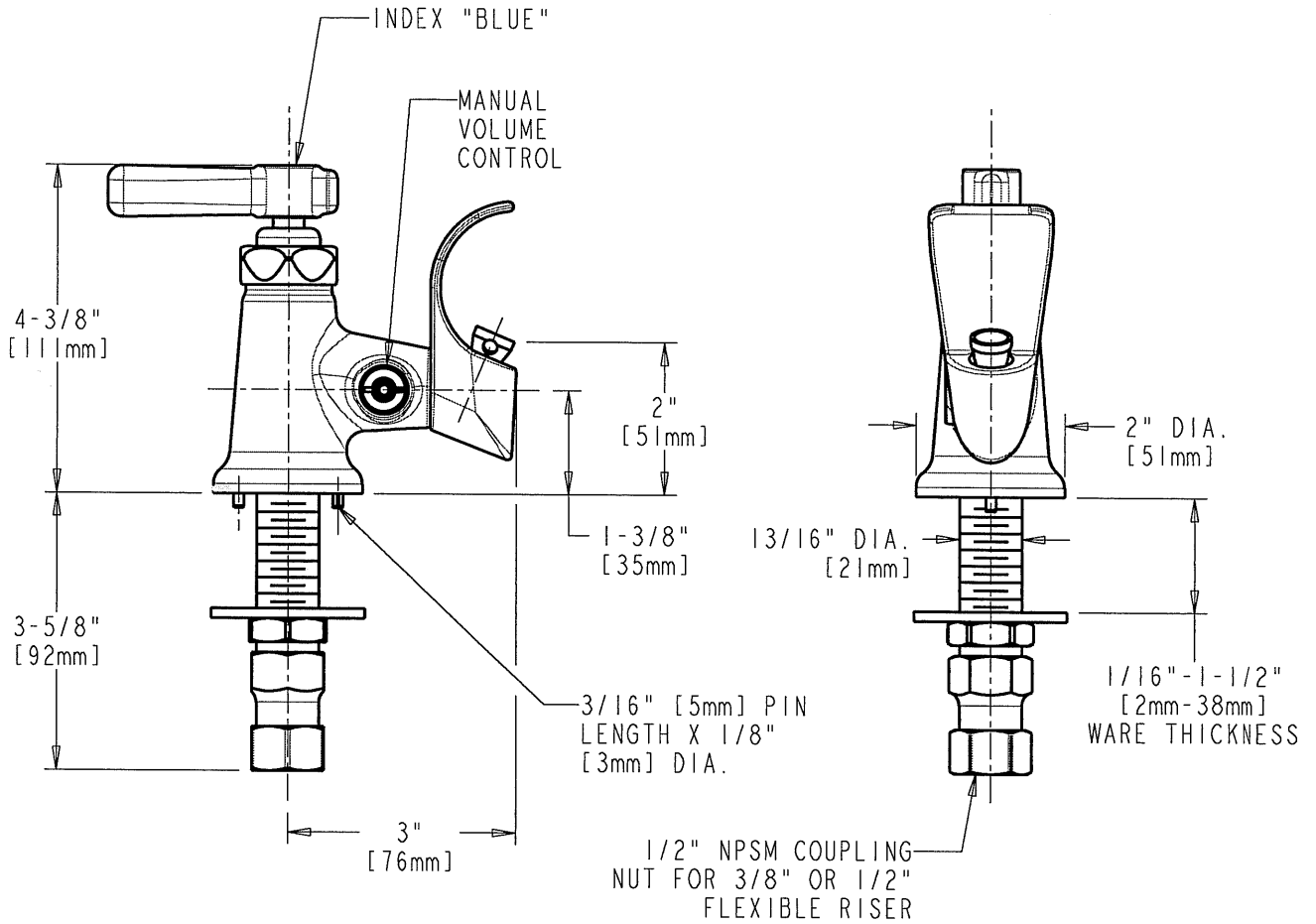
SUBMITTED AS SHOWN

SUBMITTED AS NOTED

SEE ATTACHED FOR
SUBMITTED MODIFICATION



ADA COMPLIANT



ROUGHING IN DIMENSIONS MAY VARY AND ARE SUBJECT TO CHANGE. NO RESPONSIBILITY IS ASSUMED FOR USE OF SUPERCEDED OR VOIDED DATA.

TECHNICAL DATA

- BRASS HEAD DRINKING FOUNTAIN
- 369 INDEX LEVER HANDLE WITH VANDAL RESISTANT SCREW
- 826-X KLO-SELF OPERATING CARTRIDGE
- MANUAL VANDAL RESISTANT VOLUME CONTROL
- ANTI-ROTATION PINS
- FINISH: CHROME PLATE
- 0.7 GPM (2.6 L/MIN.) FLOW CONTROL
- ASME A112.18.1M COMPLIANT
- CSA B125 COMPLIANT
- NSF 61 COMPLIANT

DATE: 11-29-06

BY: JAR

CHK'D: *ZB*

APP'D: *BA*

REV:

748-244