

# CHICAGO FAUCETS



2100 SOUTH CLEARWATER DRIVE  
DES PLAINES, ILLINOIS 60018-5999

FITTING NO.

733-OH

SUBMITTED MODEL NO.

Last As Long As The Building

JOB NAME

ITEM NO.

SUBMITTED AS SHOWN

SUBMITTED AS NOTED

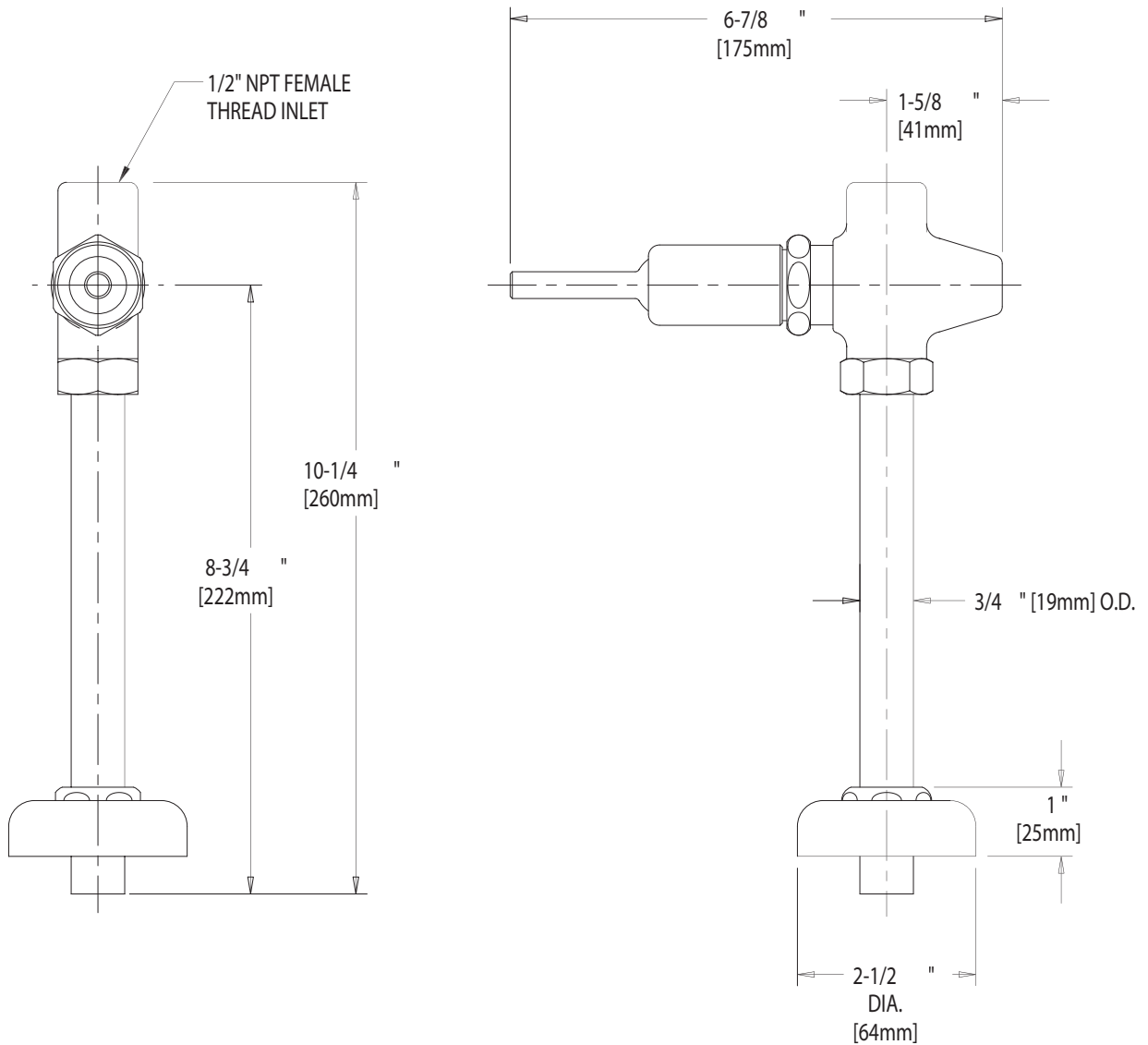
SEE ATTACHED FOR  
SUBMITTED MODIFICATION



ADA COMPLIANT

IS ASSUMED FOR USE OF SUPERCEDED OR VOIDED DATA.

ROUGHING IN DIMENSIONS MAY VARY AND ARE SUBJECT TO CHANGE. NO RESPONSIBILITY



**DIMENSIONS IN INCHES AND [MILLIMETERS].**

**TECHNICAL DATA**

- STRAIGHT VALVE
- LONG BONNET NON-SAG OSCILLATING HANDLE
- NAIAD SELF-CLOSING CARTRIDGE
- TAILPIECE AND ESCUTCHEON ASSEMBLY
- FINISH: CHROME PLATE

- ASME A112.18.1M COMPLIANT
- CSA B112 COMPLIANT

DATE: 05-02-02

BY: SID

CHK'D:

APP'D:

REV: A

733-OH