

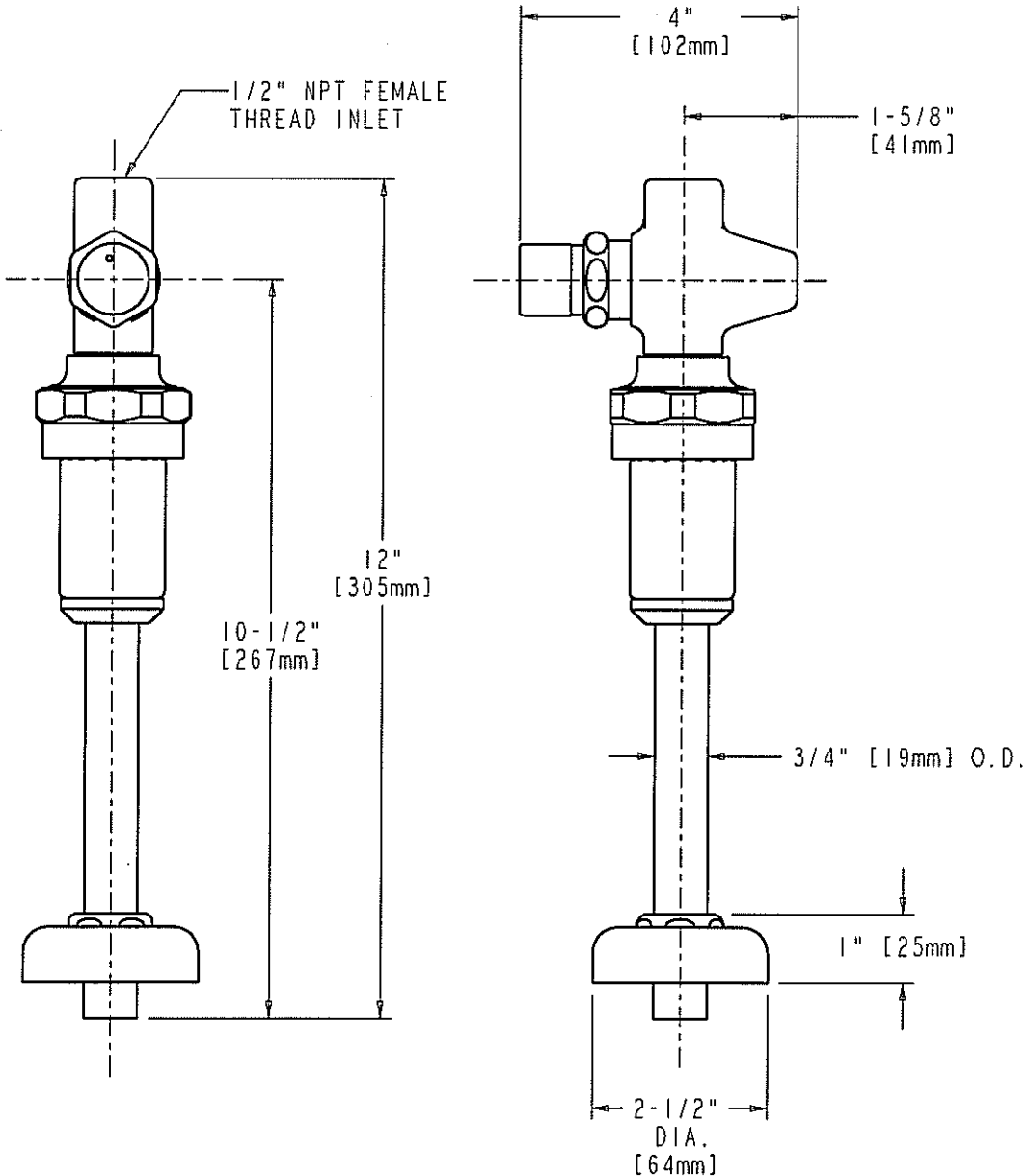
JOB NAME

ITEM NO.

SUBMITTED AS SHOWN

SUBMITTED AS NOTED

SEE ATTACHED FOR  
 SUBMITTED MODIFICATION



DIMENSIONS IN INCHES AND [MILLIMETERS].

TECHNICAL DATA

- ANGLE VALVE
- VACUUM BREAKER
- 333 NAIAD SELF CLOSING VALVE AND HANDLE
- NAIAD SELF-CLOSING CARTRIDGE
- TAILPIECE AND ESCUTCHEON ASSEMBLY
- FINISH: CHROME PLATE
- ASME A112.18.1M COMPLIANT
- CSA B125 COMPLIANT

DATE: 11-21-02

BY: JAR

CHK'D:

APP'D: *AT*

REV: B

733-VB

ROUGHING IN DIMENSIONS MAY VARY AND ARE SUBJECT TO CHANGE. NO RESPONSIBILITY IS ASSUMED FOR USE OF SUPERCEDED OR VOIDED DATA.