

CHICAGO[®]
FAUCETS

2100 SOUTH CLEARWATER DRIVE
DES PLAINES, ILLINOIS 60018-5999

FITTING NO.

732

SUBMITTED MODEL NO.

JOB NAME

ITEM NO.

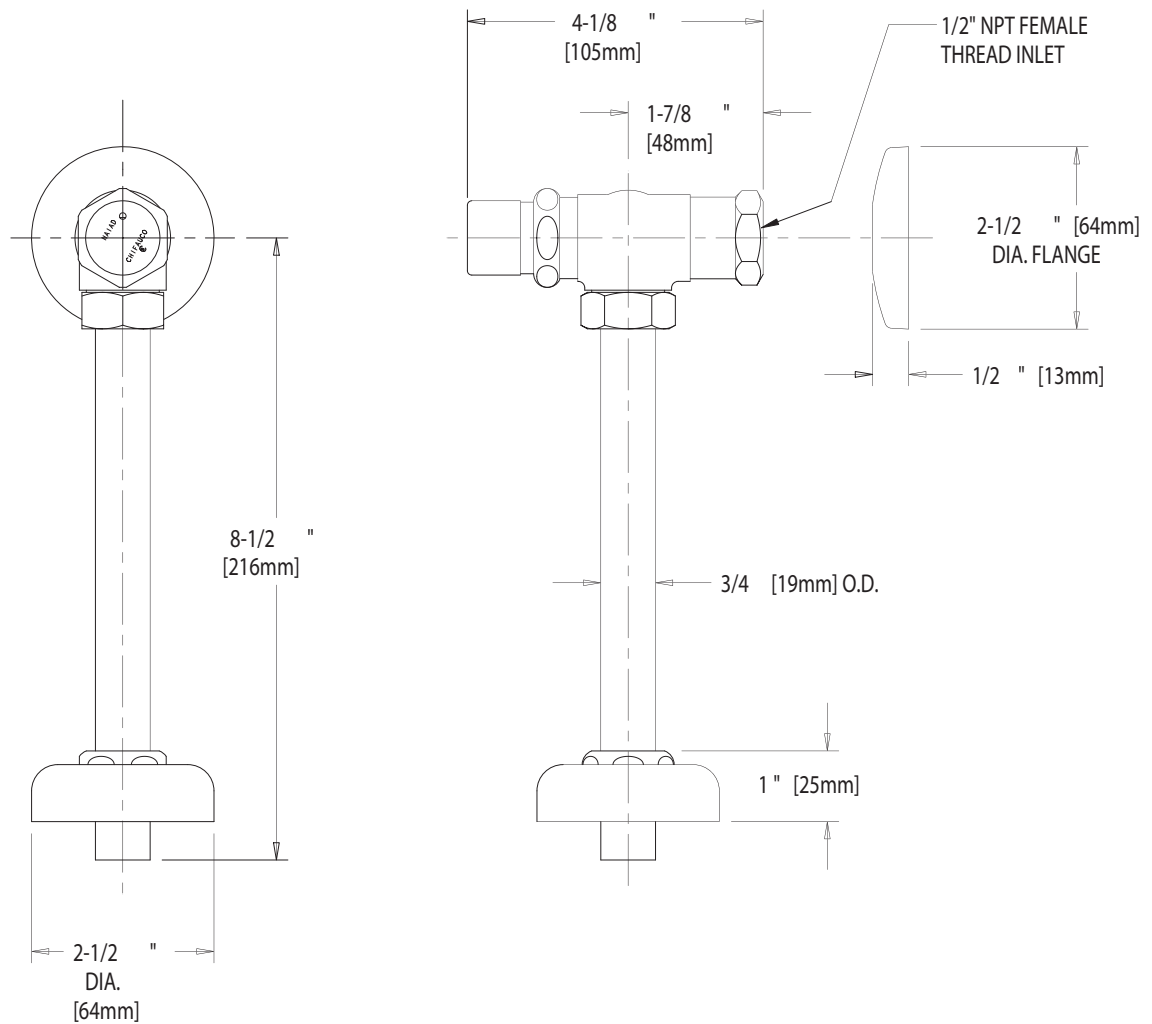
SUBMITTED AS SHOWN

SUBMITTED AS NOTED

SEE ATTACHED FOR
SUBMITTED MODIFICATION

IS ASSUMED FOR USE OF SUPERCEDED OR VOIDED DATA. (0192-1)

ROUGHING IN DIMENSIONS MAY VARY AND ARE SUBJECT TO CHANGE. NO RESPONSIBILITY



DIMENSIONS IN INCHES AND [MILLIMETERS].

TECHNICAL DATA

- SELF CLOSING URINAL RINSE DOWN VALVE
- NAIAD SELF-CLOSING CARTRIDGE
- TAILPIECE AND ESCUTCHEON ASSEMBLY
- POLISHED CHROME FINISH

DATE: 12-17-01

BY: JAR

CHK'D:

APP'D:

REV:

732