

CHICAGO FAUCETS

Last As Long As The Building



2100 SOUTH CLEARWATER DRIVE
DES PLAINES, ILLINOIS 60018-5999

FITTING NO.

686

SUBMITTED MODEL NO.

JOB NAME

ITEM NO.

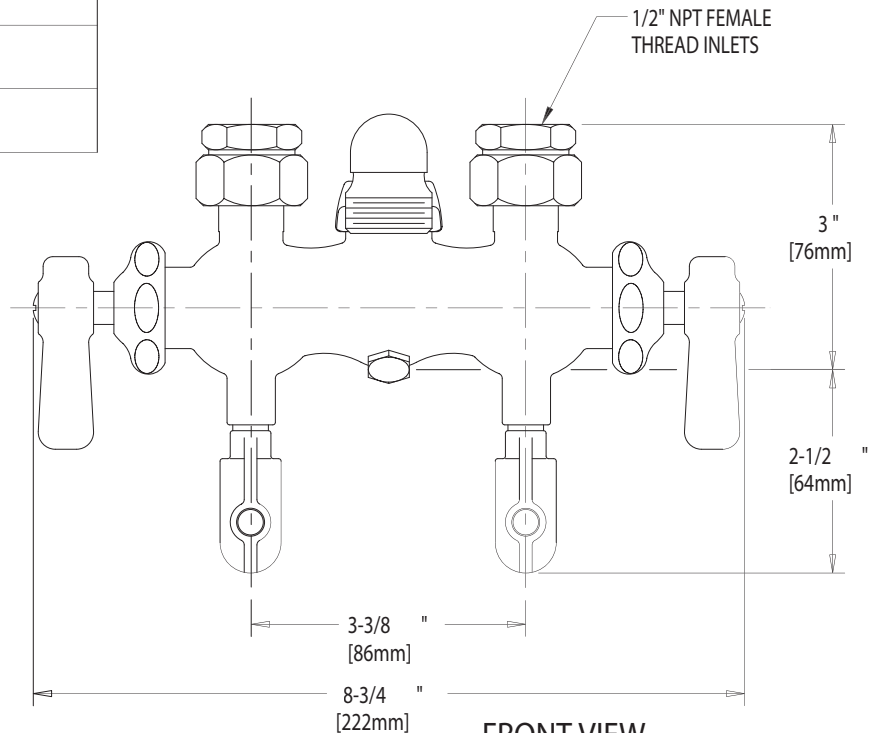
SUBMITTED AS SHOWN

SUBMITTED AS NOTED

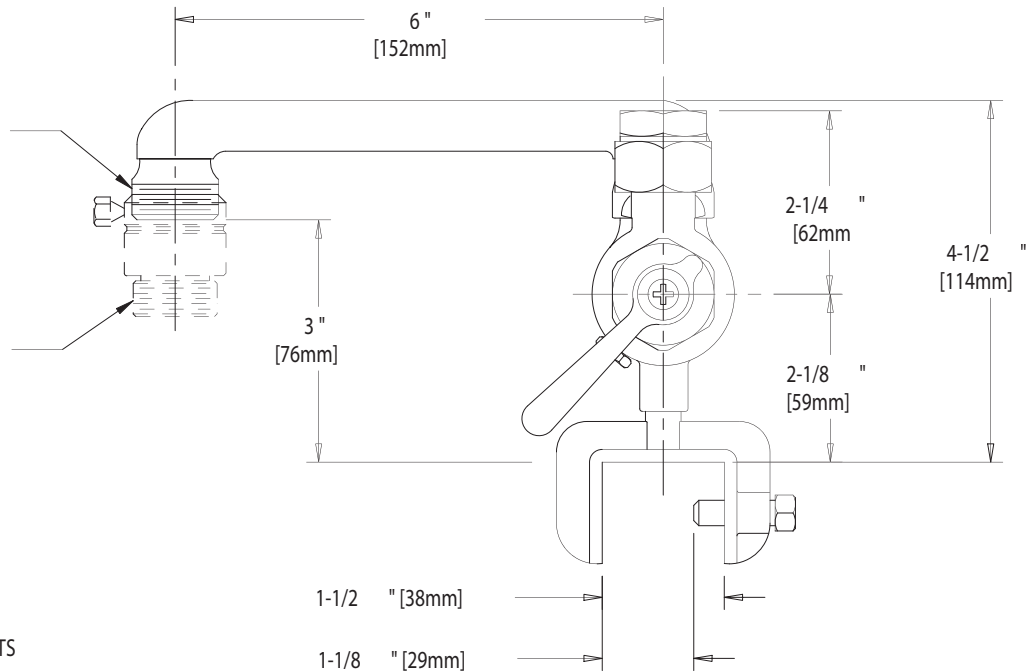
SEE ATTACHED FOR
SUBMITTED MODIFICATION



ADA COMPLIANT



FRONT VIEW



SIDE VIEW

3/4" A.N. MALE
HOSE THREAD

E27 OR EQUIVALENT
ASSE 1011 TYPE VACUUM
BREAKER (BY OTHERS)

NOTE: INSTALLATION OF THIS
FITTING SHOULD CONFORM TO
LOCAL PLUMBING CODE REQUIREMENTS
FOR BACKFLOW PROTECTION.

DIMENSIONS IN INCHES AND [MILLIMETERS].

TECHNICAL DATA

- LAUNDRY TRAY FITTING
- S6 CAST SWING SPOUT
- 369 INDEXED LEVER HANDLES
- QUATURN OPERATING CARTRIDGES
- FINISH: ROUGH CHROME

- E2 HOSE THREAD OUTLET
- ASME A112.18.1M COMPLIANT
- CSA B125 COMPLIANT

DATE: 04-30-02

BY: SID

CHK'D:

APP'D:

REV: A

686

IS ASSUMED FOR USE OF SUPERCEDED OR VOIDED DATA.

ROUGHING IN DIMENSIONS MAY VARY AND ARE SUBJECT TO CHANGE. NO RESPONSIBILITY