



2100 SOUTH CLEARWATER DRIVE
DES PLAINES, ILLINOIS 60018-5999

FITTING NO.

600

SUBMITTED MODEL NO.

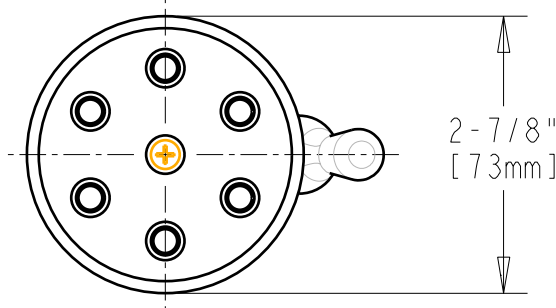
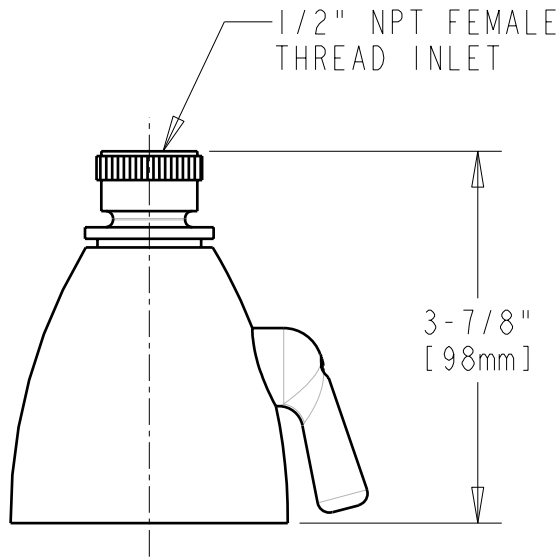
JOB NAME

ITEM NO.

SUBMITTED AS SHOWN

SUBMITTED AS NOTED

SEE ATTACHED FOR
SUBMITTED MODIFICATION



ROUGHING IN DIMENSIONS MAY VARY AND ARE SUBJECT TO CHANGE. NO RESPONSIBILITY IS ASSUMED FOR USE OF SUPERCEDED OR VOIDED DATA.

TECHNICAL DATA

- SHOWER HEAD
- ADJUSTABLE SPRAY PATTERN
- ADJUSTABLE SWIVEL JOINT HEAD
- FINISH: CHROME PLATE

- 2.5 GPM [9.5 L/min.] FLOW RATE

DATE: 11-19-02

BY: JAR

CHK'D:

APP'D:

REV: 11-28-05

600