

# PARTS LIST

BY:  
CHK'D:

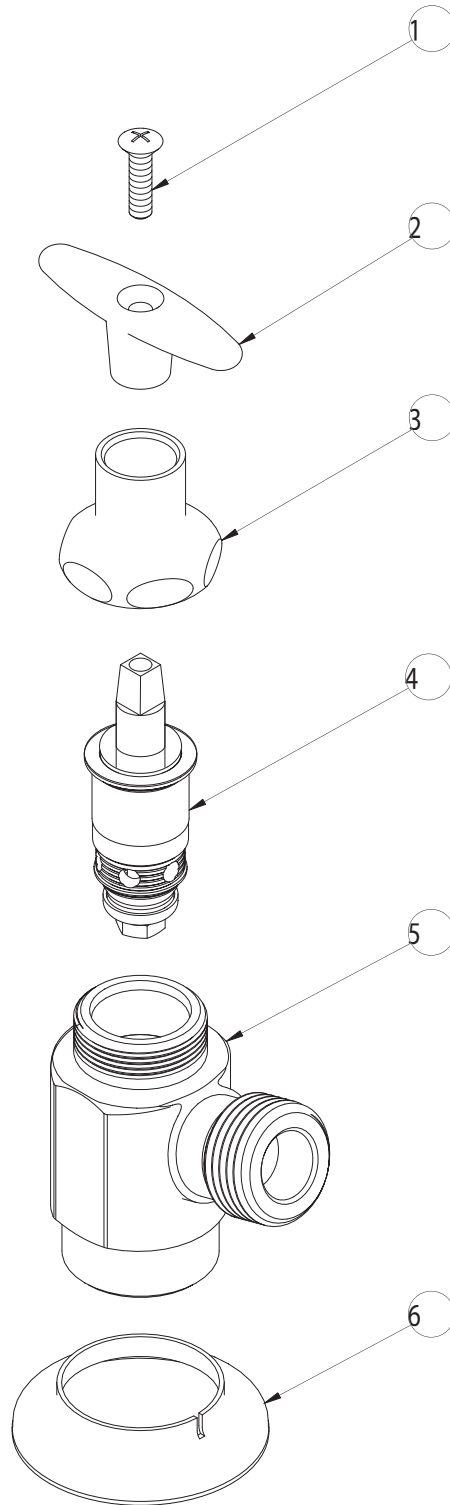
TM



FINISH:  
DATE:

AS SPECIFIED  
02-02-01

387



ITEM NO.	PART NO.	DESCRIPTION	ITEM NO.	PART NO.	DESCRIPTION
1	250-093	SCREW	4	217XTLH	SLO-COMPRESSION UNIT (LH)
2	293-006	TEE HANDLE	5	-----	VALVE BODY (NOT SOLD SEPERATELY)
3	1-246	LOOSE KEY CAP	6	387-012	FLANGE