

JOB NAME

ITEM NO.

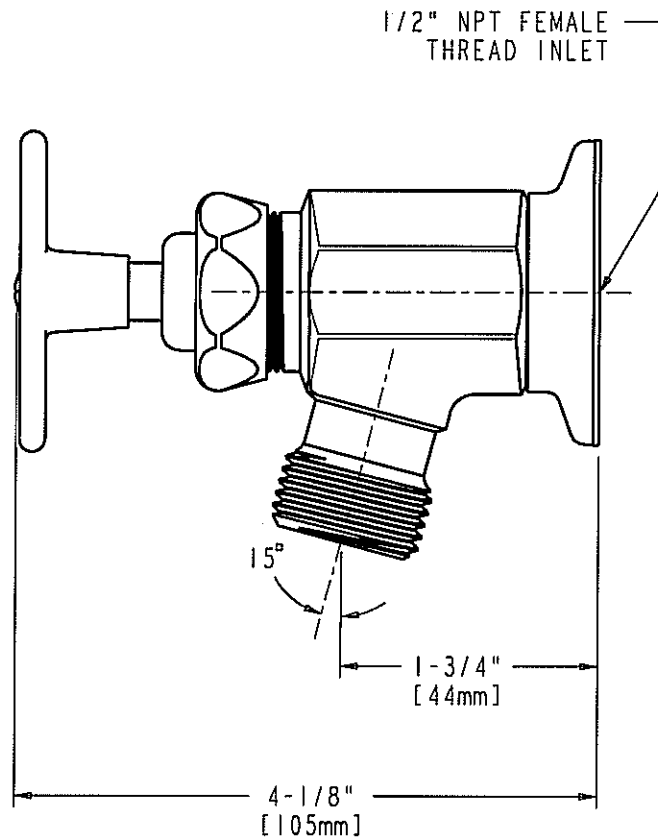
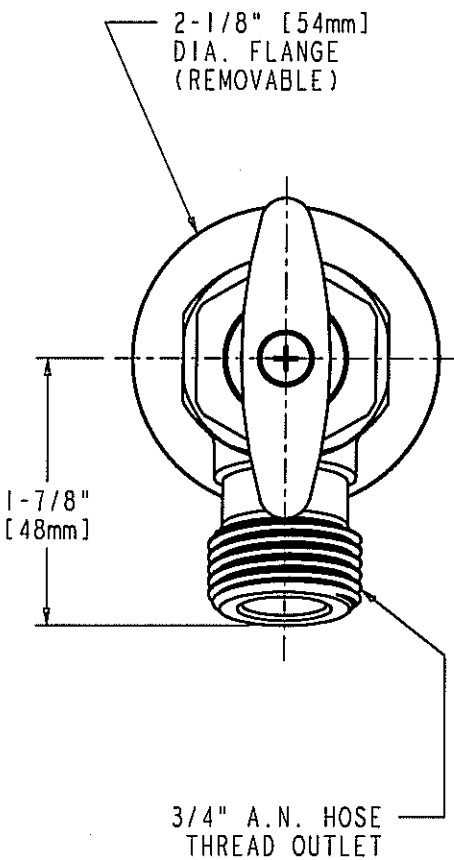
SUBMITTED AS SHOWN

SUBMITTED AS NOTED

SEE ATTACHED FOR
SUBMITTED MODIFICATION

NOTE:

INSTALLATION OF THIS FITTING
SHOULD CONFORM TO LOCAL PLUMBING CODE
REQUIREMENTS FOR BACKFLOW PREVENTION.
(E27 VACUUM BREAKER OR EQUIVALENT)



ROUGHING IN DIMENSIONS MAY VARY AND ARE SUBJECT TO CHANGE. NO RESPONSIBILITY IS ASSUMED FOR USE OF SUPERCEDED OR VOIDED DATA.

DIMENSIONS IN INCHES AND [MILLIMETERS].

TECHNICAL DATA

- WALL MOUNTED INSIDE SILL FAUCET
- 293-006 REMOVABLE TEE HANDLE
- 244 KLO-SELF SELF-CLOSING CARTRIDGE
- FINISH: CHROME PLATE

- 3/4" HOSE THREAD OUTLET
- ASME A112.18.1M COMPLIANT
- CSA B125 COMPLIANT

DATE: 06-21-04

BY: SID

CHK'D:

APP'D: *ST*

REV: A

293-244