

CHICAGO FAUCETS

Last As Long As The Building

2100 SOUTH CLEARWATER DRIVE
DES PLAINES, ILLINOIS 60018-5999

FITTING NO.

293-E27

SUBMITTED MODEL NO.

JOB NAME

ITEM NO.

SUBMITTED AS SHOWN

SUBMITTED AS NOTED

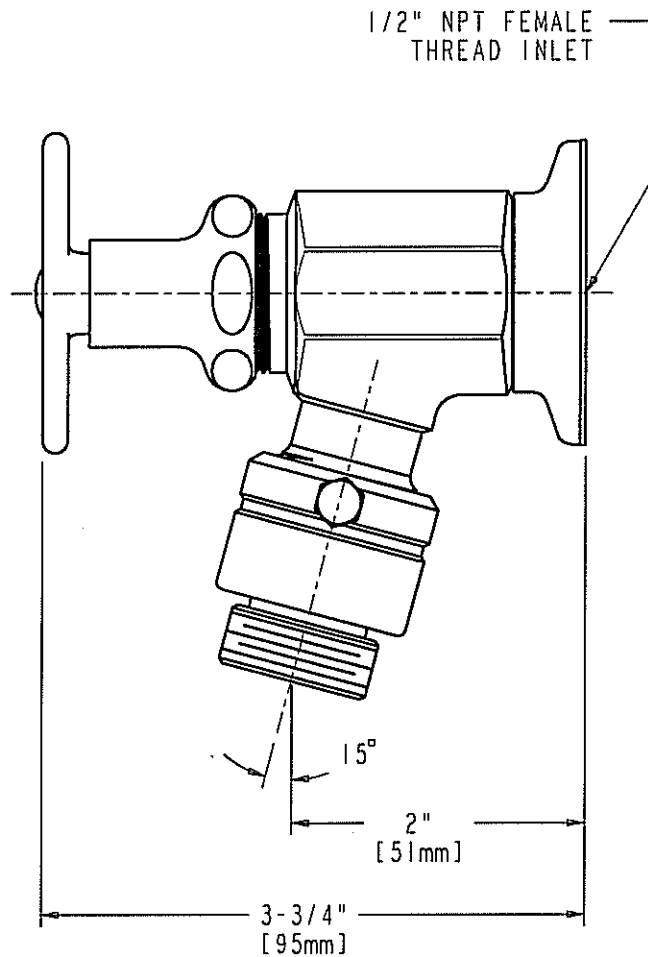
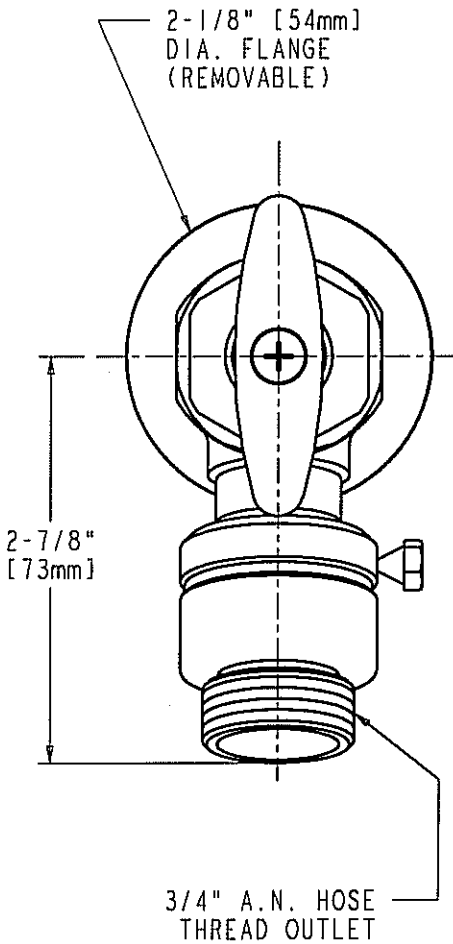
SEE ATTACHED FOR
SUBMITTED MODIFICATION

NOTE:

INSTALLATION OF THIS FITTING
SHOULD CONFORM TO LOCAL PLUMBING CODE
REQUIREMENTS FOR BACKFLOW PREVENTION.



ADA COMPLIANT



ROUGHING IN DIMENSIONS MAY VARY AND ARE SUBJECT TO CHANGE. NO RESPONSIBILITY IS ASSUMED FOR USE OF SUPERCEDED OR VOIDED DATA.

DIMENSIONS IN INCHES AND [MILLIMETERS].

TECHNICAL DATA

- INSIDE SILL FAUCET
- 293-6 LOOSE KEY HANDLE
- SLO-COMPRESSION CARTRIDGE
- LOOSE WALL FLANGE
- FINISH: CHROME PLATE

- E27 IN-LINE VACUUM BREAKER
- 3/4" HOSE THREAD OUTLET
- ASME A112.18.1M COMPLIANT
- CSA B125 COMPLIANT

DATE: 10-16-02

BY: JAR

CHK'D: *JAR*

APP'D:

REV: A

293-E27