

JOB NAME

ITEM NO.

SUBMITTED AS SHOWN

SUBMITTED AS NOTED

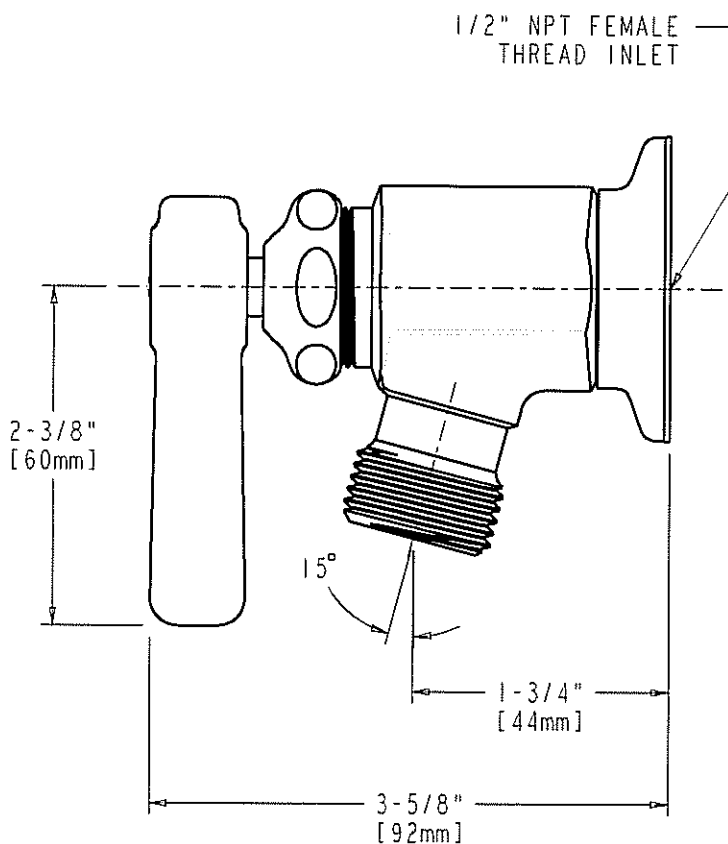
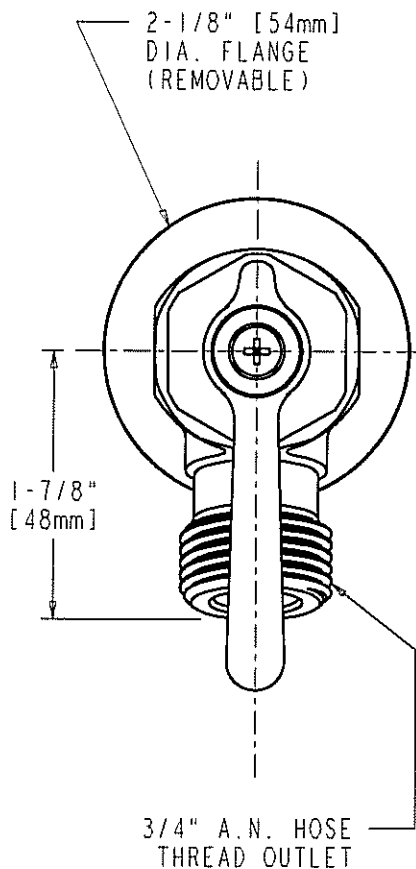
SEE ATTACHED FOR  
SUBMITTED MODIFICATION

**NOTE:**

INSTALLATION OF THIS FITTING  
SHOULD CONFORM TO LOCAL PLUMBING CODE  
REQUIREMENTS FOR BACKFLOW PREVENTION.  
(E27 VACUUM BREAKER OR EQUIVALENT)



ADA COMPLIANT



ROUGHING IN DIMENSIONS MAY VARY AND ARE SUBJECT TO CHANGE. NO RESPONSIBILITY IS ASSUMED FOR USE OF SUPERCEDED OR VOIDED DATA.

TECHNICAL DATA

- WALL MOUNTED SILL FAUCET
- 369 INDEXED LEVER HANDLE
- QUATURN OPERATING CARTRIDGE
- FINISH: CHROME PLATE

- 3/4" HOSE THREAD OUTLET
- ASME A112.18.1M COMPLIANT
- CSA B125 COMPLIANT

DATE: 08-16-06

BY: SID

CHK'D:

APP'D: *ST*

REV:

293-369COLD