

PARTS LIST

BY:
CHK'D:

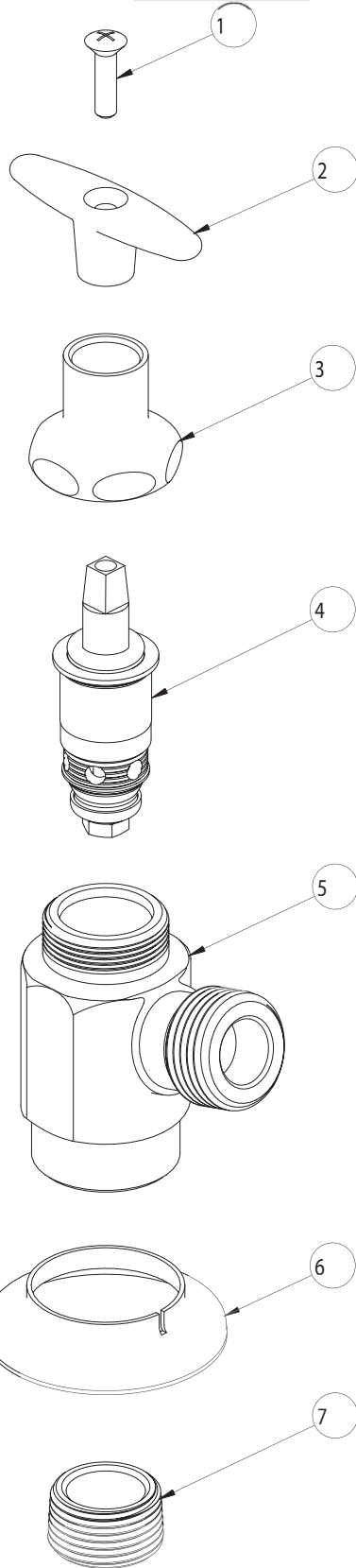
TM



FINISH:
DATE:

AS SPECIFIED
02-02-01

293



ITEM NO.	PART NO.	DESCRIPTION	ITEM NO.	PART NO.	DESCRIPTION
1	250-093	SCREW	5	-----	VALVE BODY (NOT SOLD SEPERATELY)
2	293-006	TEE HANDLE	6	387-012	FLANGE
3	1-246	LOOSE KEY CAP	7	387-013	BUSHING, FEMALE FACE
4	217XTLH	SLO-COMPRESSION UNIT (LH)			