

# Single Lever Faucet Installation Instructions

Installation Instructions for 2200 & 2300 series faucets



a Geberit company

## Overview

Chicago Faucets deck mounted faucets feature cast brass bodies and precision cartridges for years of reliable operation. Stainless steel hoses are provided as standard equipment for easy installation; copper supply tubes are available as an optional accessory.

## Notice to the Installer

- Read this entire instruction sheet before installing to ensure proper installation.
- Installation must comply with local codes and ordinances.

Pressurized plumbing fixtures shall be installed in accordance with manufacturer's recommendations. The supply piping to these devices shall be securely anchored to the building structure to prevent installed device from unnecessary movement when operated by the user. Care shall be exercised when installing the device to prevent marring the exposed surface.

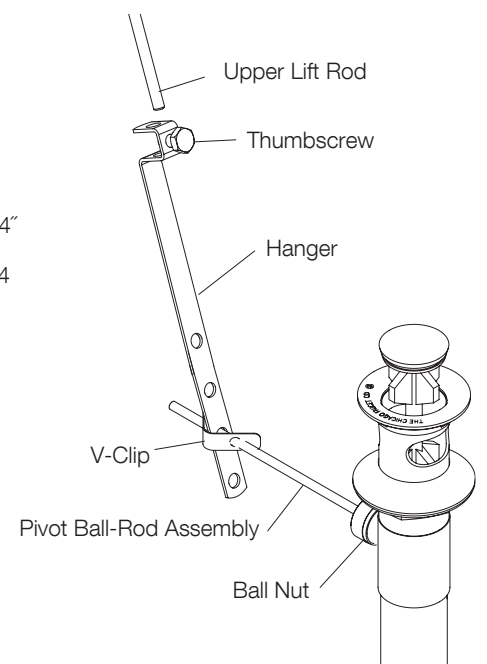
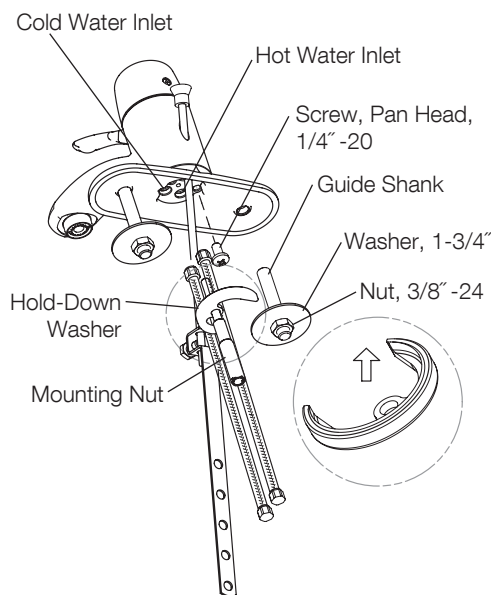
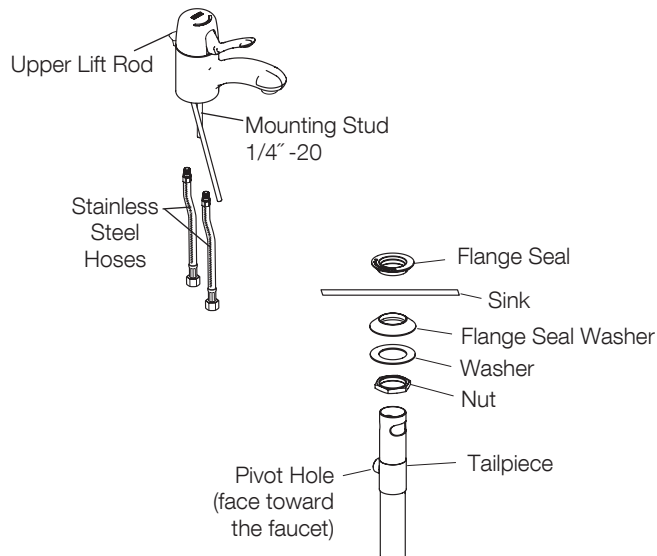
NOTE: The information in this manual is subject to change without notice.

Please leave this manual with the facility manager after completing the faucet installation. This document contains information necessary for routine maintenance and servicing.

NOTE: Before installation, turn off water supplies to existing faucet and remove faucet if replacing. Clean faucet basin and clear away debris. Flush all supply lines before connecting to faucet. Failure to do so can result in debris clogging the inlets and/or cartridges.

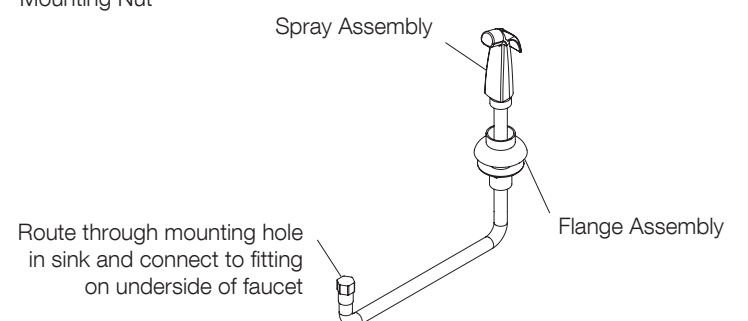
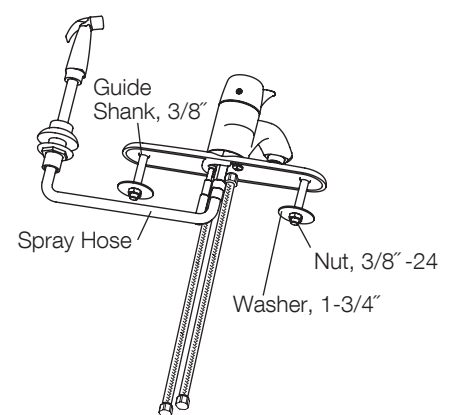
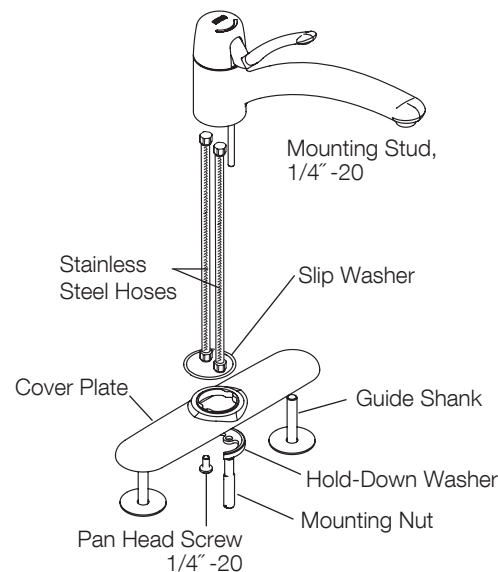
## Installation - Lavatory

1. Turn off water supply to existing faucet.
2. Remove old faucet and pop-up (if necessary).
3. Thread the stainless steel hoses into the body and hand tighten securely. Do not over tighten.
4. Thread 1/4" -20 mounting stud fully into the body hole closest to the center, hand-tighten.
5. If installing a model with pop-up waste assembly, install the upper lift rod into the body.
6. If cover plate is used, secure it to faucet body with 1/4" -20 pan head screw. Thread guide shanks into cover plate.  
NOTE: For 2200 series faucets, slip washer is not used.
7. Place faucet and cover plate onto sink and hoses through mounting hole. Use plumbers putty to seal faucet to sink. Place ring of putty around hole openings of the sink base.  
NOTE: Use silicon sealant for porous stone or plumbers putty as recommended by counter manufacturer.
8. Place hold-down washer (solid surface facing downward) onto mounting stud from below and secure with mounting nut finger tight.
9. Adjust faucet position as necessary, then tighten all mounting hardware.  
NOTE: If installing a new pop-up waste assembly, continue with steps 10-12, otherwise skip to step 13.
10. Clean faucet basin and clean away debris.
11. Install the flange seal through the top of the sink, using plumbers putty between flange seal and sink.
12. Install the flange seal washer, washer, locknut, and tailpiece to the sink drain hole. Pivot hole must face to the rear. DO NOT tighten nut fully at this time.
13. Connect the supply hoses to the water supply. If installing with optional copper supply tubes, connect the inlet tubes to water supply with compression nuts (not supplied with inlet tubes). Tighten connections securely.
14. Insert the stopper fully into the drain hole. Insert the pivot ball-rod assembly into the tailpiece pivot hole.  
NOTE: Pivot ball-rod may be inserted so rod end engages through stirrup in stop shank for vandal-resistant installation; or stirrup can rest on top of rod end for easy removal and cleaning.
15. Secure the ball nut. Tighten ball nut lightly with pliers or wrench, but do not over tighten.
16. Attach pivot ball-rod assembly to hanger with v-clip.
17. With lift rod in lowest position and pivot ball-rod in lowest position, attach the hanger to the upper lift rod. Tighten thumbscrew. Fully lift the upper lift rod to test stopper. Adjust if necessary.
18. Turn on water supply and check for leaks.



## Installation - Kitchen

1. Turn off water supply to existing faucet.
2. Remove old faucet.
3. Clean faucet basin and clear away debris.
4. Thread the stainless steel hoses into the body and tighten securely. Do not over tighten.
5. Thread 1/4" -20 mounting stud fully into the body, hand-tight.
6. Position the slip washer between the faucet and cover plate. Secure cover plate to faucet body with 1/4" -20 pan head screw.
7. Thread guide shanks into cover plate.
8. Place faucet and cover plate onto sink with hoses through mounting hole. Use plumbers putty to seal faucet to sink. Place a ring of putty around inside of cover plate.  
NOTE: Use silicon sealant for porous stone or plumbers putty as recommended by counter manufacturer.
9. Place hold-down washer (solid surface facing downward) onto mounting stud from below and secure with mounting nut finger tight.
10. Secure the cover plate to the sink using the guide shanks, washers, and nuts supplied.
11. Adjust faucet position as necessary, then tighten all mounting hardware.
12. Slip spray hose through flange and route hose up through faucet center mounting hole and slip washer supplied. Apply teflon tape to supply tube and attach hose to threaded adapter on faucet.
13. Connect the supply hoses to the water supply. If installing with optional copper supply tubes, connect the inlet tubes to water supply with compression nuts (not supplied with inlet tubes). Tighten connections securely.
14. Turn on water supply and check for leaks.



For additional technical assistance, call 800/TEC-TRUE (800-832-8783) or visit our website at [chicagofaucets.com](http://chicagofaucets.com).

# Single Lever Faucet Installation Instructions

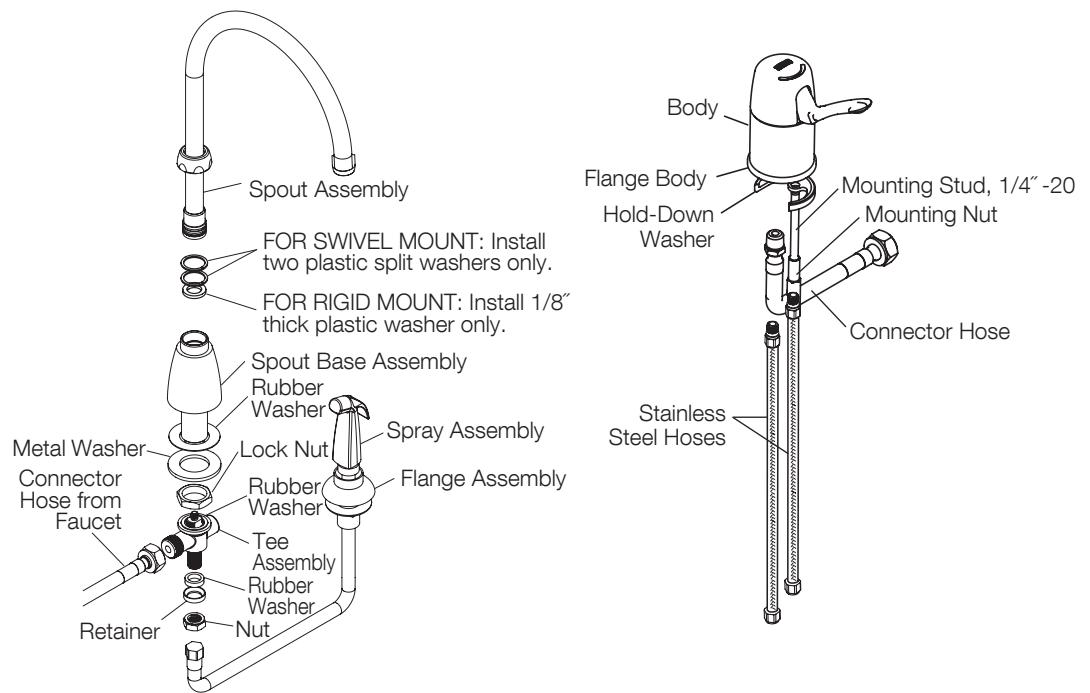
(continued)



a Geberit company

## Installation – Side Valve

1. Turn off water supply to existing faucet.
2. Remove old faucet (and side spray if necessary).
3. Clean faucet basin and clear away debris.
4. Thread the stainless steel hoses into the body and hand tighten securely. Do not over tighten.
5. Thread 1/4"-20 mounting stud fully into the body, hand-tighten.
6. Attach connector hose to threaded adapter on faucet.
7. Place body onto sink with stainless steel hoses and connector hose through mounting hole. Use plumbers putty to seal faucet to sink. Place ring of putty around hole openings of the sink base. NOTE: Use silicon sealant for porous stone or plumbers putty as recommended by counter manufacturer.
8. Place hold-down washer (solid surface facing downward) onto mounting stud from below and secure with mounting nut finger tight.
9. Install spout base assembly to sink. Use metal washer, rubber washer, and lock nut supplied.
10. Install spout assembly to the spout base assembly. For rigid mount, install the 1/8" thick plastic washer in place of the two split washers. For swivel mount, install the two split washers in place of the 1/8" plastic washer.
11. Install tee assembly to spout base assembly. Make sure rubber washers are installed at top and bottom of tee assembly. Retainer must be oriented with the wide end up. Secure with nut.
12. Install the connector hose from the side valve to the tee assembly. Use thread seal tape on the male pipe threads.
13. Install spray flange assembly to sink. Use plumbers putty or recommended sealant to seal.
14. Slip spray hose through flange assembly and attach hose to tee assembly.
15. Connect the supply hoses to the water supply. If installing with optional copper supply tubes, connect the inlet tubes to water supply with compression nuts (not supplied with inlet tubes). Tighten connections securely.
16. Turn on water supply and check for leaks.



## Temperature and Volume Adjustment Disassembly

1. Using a 3/32" hex key, remove the screw and cap.
2. Remove the Phillips screw and handle.
3. Squeeze the tab clips and push forward to separate the spin cap halves.

## Temperature Adjustment

NOTE: Cartridge is supplied with hot limit ring in the middle position. To save hot water and avoid scalding, the ring may be adjusted so the ring pin contacts the stop before the faucet handle reaches the full hot water position.

4. Lift the temperature adjustment ring off the cartridge.
5. Rotate the ring clockwise to decrease hot water flow or counterclockwise to increase hot water flow. Reposition the ring onto the cartridge.

## Volume Adjustment

6. Loosen the set screw in the back of the cartridge stem.
  7. Volume set screw is factory preset to full open. Turn set screw counterclockwise to restrict water flow.
- NOTE: Volume adjustment can be done by removing cap, screw and LH spin cap, without removing cartridge from faucet.

## Assembly

8. Assemble the LH and RH spin caps with the spin rings inside the grooves. LH spin cap is located above the set screw.
9. Install the handle and make sure it is seated with the cartridge stem, then secure with screw.
10. Install the cap and hex screw.

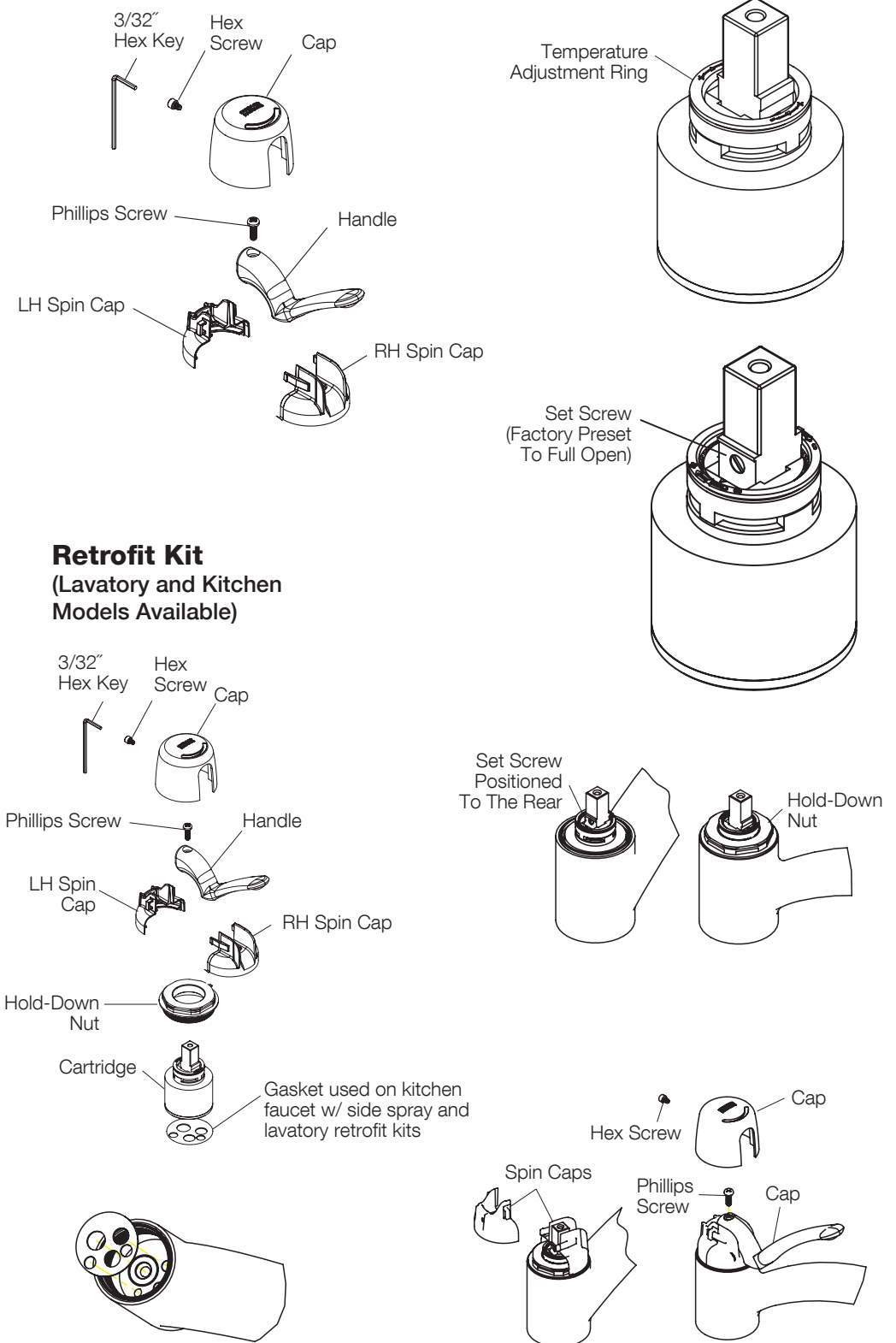
## Cartridge Replacement - Retrofit

Retrofit kits are available for lavatory and kitchen faucets. The kits include the cartridge, handle, cap, and assembly materials. The retrofit kits come partially assembled for shipment and will require disassembly before installing.

NOTE: Make sure that water supply is completely off before beginning cartridge replacement.

To relieve pressure, lift handle to full mix, open position.

1. Using a 3/32" hex key, remove the screw and cap.
2. Remove the Phillips screw and handle.
3. Squeeze the tab clips and push forward to separate the spin cap halves.
4. Use 1-5/8" wrench (or 6pt. socket) and remove the hold-down nut from the body. If the faucet is not equipped with a deck plate/escutcheon, use a strap wrench to hold the body while turning the cartridge hold-down nut. IMPORTANT: Cartridge hold-down nut must be turned counterclockwise to loosen.
5. Remove existing cartridge.
6. Install the cartridge gasket over the corresponding holes in the lavatory or kitchen faucet.
7. Assemble cartridge into faucet body. Make sure set screw is facing to the rear.
8. Install hold-down nut and torque to 106 in-lbs. (12nm). CAUTION: the use of a channel lock and/or over-tightening the hold-down nut can cause damage and poor operation.
9. Assemble left and right spin caps with the spin rings located in the grooves.
10. Assemble handle to faucet. Make sure handle is fully seated before installing Phillips screw.
11. Install cap and hex screw.
12. Turn on water supply and check for leaks.



## Care and Maintenance

All Chicago Faucets fittings are designed and engineered to meet or exceed industry performance standards. Care should be taken when cleaning this product. Do not use abrasive cleaners, chemicals or solvents as they can result in surface damage. Use mild soap with warm water for cleaning and protecting the surface of Chicago Faucets fittings.

For additional technical assistance, call 800/TEC-TRUE (800-832-8783) or visit our website at [chicagofaucets.com](http://chicagofaucets.com).

## CHICAGO FAUCETS LIMITED WARRANTY

**TO WHOM DOES THIS WARRANTY APPLY?** — The Company extends the following limited warranty to the original user only.

**WHAT DOES THIS WARRANTY COVER AND HOW LONG DOES IT LAST?**

This warranty covers the following Commercial Products:

**LIFETIME FAUCET WARRANTY** — The "Faucet," defined as any metal cast, forged, stamped or formed portion of the Product, not including electronic or moving parts or other products separately covered by this Limited Warranty or water restricting components or other components, is warranted against material manufacturing defects for the life of the Product.

**FIVE YEAR FAUCET WARRANTY** — Certain Products and portions of the Product are warranted against material manufacturing defects for a period of five (5) years from the date of Product purchase. Products warranted against material manufacturing defects for a period of five (5) years from the date of Product purchase are referred to by the product numbers 42X, 43X, 15XX and E-Tronic® - 4X, 5X, 6X, 7X, 8X and 9X. All zinc die cast portions of Product are warranted against material manufacturing defects for a period of five (5) years from the date of Product purchase.

**THREE YEAR ELECTRONICS WARRANTY** — Electronic components, including the solenoid, are warranted for three (3) years from the date of installation.

**FIVE YEAR CARTRIDGE WARRANTY** — The "Cartridge", defined as the metal portion of any Product typically referred to by the product numbers containing 1-099, 1-100, 377X, 217X and 274X, excluding any rubber or plastic components, is warranted against material manufacturing defects for a period of five (5) years from the date of Product purchase. All Cartridges included in the Company's Single Control or Shower Products also are warranted against material manufacturing defects for a period of five (5) years from the date of Product purchase.

**ONE YEAR FINISH WARRANTY – COMMERCIAL** — For Products used in commercial applications, the finish of the Product is warranted against material manufacturing defects for a period of one (1) year from the date of Product purchase.

**OTHER WARRANTIES** — All other Products not covered above are warranted against material manufacturing defects for a period of one (1) year from the date of Product purchase.

Other restrictions and limitations apply. For complete warranty details, call Chicago Faucets Customer Service at 847-803-5000 or visit [chicagofaucets.com](http://chicagofaucets.com).

The Chicago Faucet Company  
2100 South Clearwater Drive  
Des Plaines, IL 60018  
Phone: 847/803-5000  
Fax: 847/803-5454  
Technical: 800/832-8783  
[www.chicagofaucets.com](http://www.chicagofaucets.com)