

TempShield™

Mixing Valve

Installation Instructions for 2500, 2501, and 2502 Series Fittings



**CHICAGO
FAUCETS** 

Notes to Installer

- Installation Should Be in Accordance with Local Plumbing Codes
- Flush All Piping Thoroughly Before Installation
- Before Installing, Consult Roughing-in Drawings to Assure Proper Installation

General Information

Figure (1) illustrates typical complete Chicago Faucet in-wall fitting. All fittings are shipped arranged for bottom supplies. This represents the typical layout for the entire 2500 series.

When Using Top Supplies for All Models

The inlet caps for both hot and cold supplies on top of the valve body must be switched to the bottom hot and cold inlet connections (**see Figure 2**)

TempShield™

Installation

1. **Secure valve into position and connect inlet supplies.** Hard pipe inlet supplies to inlets. **(Do not sweat lines directly to body. If sweating copper, use proper sweat adapters).** Important – Installer must know both the wall board and tile thickness in order to properly set the rough-in depth **(see Figure 1)**. Leave cardboard sleeves on for protection until final installation of escutcheon and handles.

Note 1: *When supply stops are required, specify Chicago Faucet # 769-006K or order 2500 series fitting with an IS suffix (example 2500 ISCP). (see Figure3).*

Note 2: *A minimum distance of 12" must be maintained from center of the valve to the center of the diverter tub spout.*

Important: Hot and cold water must be supplied to the correct inlets as marked on the body and the body is in the correct position when the lettering identifying those inlets is visible from the top.

2. **Secure inlet piping.** Install a cross support behind inlet pipes **(see Figure 3)**.
3. **Pipe to tub spout and/or shower head.**

For tub and shower (2500 series): Install pipe from the outlet on the stop to the front connection of the twin ell supply (both 1/2 NPT connections). Pipe from the rear outlet of the twin ell to the shower head.

Note: *When installing in a 2x4 wall, piping must go around the valve (see Figure 1).*

For tub only (2501 series): Install pipe from the outlet on the stop to the tub spout (twin ell is not required in this installation).

For shower only (2502 series): Install pipe from the outlet on the stop directly to shower head (twin ell is not required in this installation).

Figure (1)

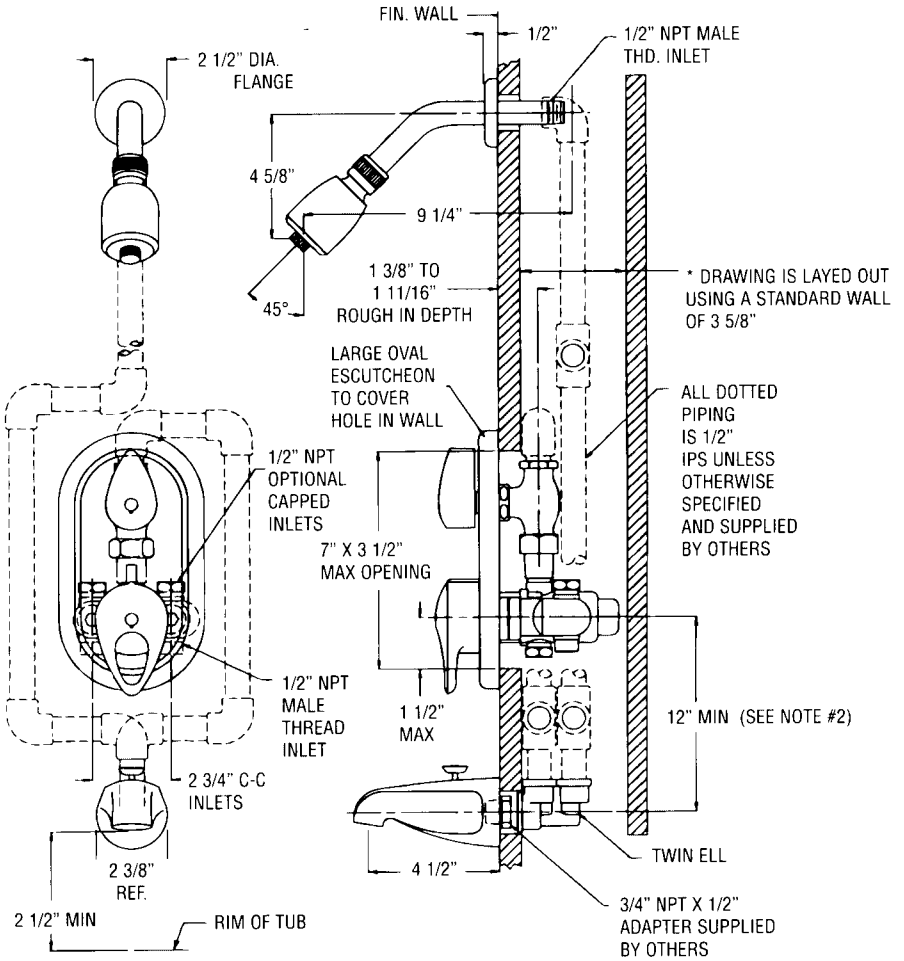
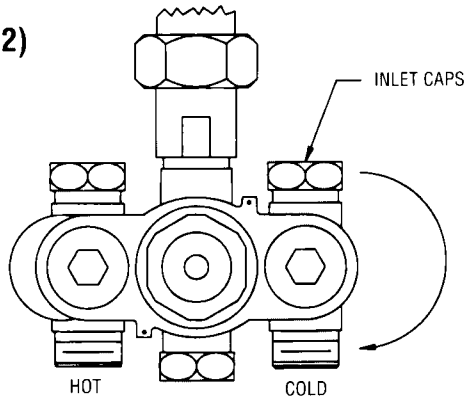


Figure (2)



TempShield™

- 4. *Secure outlet piping:*** Install a cross support behind outlet piping (see Figure 3).
- 5. *Turn on both hot and cold water supplies to the fitting:*** Check all connections for leaks prior to finishing wall.
- 6. *Remove cardboard sleeves and install required trim.*** After wall has been finished, remove cardboard sleeves. Place the self adhesive backed foam seals onto the inside surface of the escutcheon around the holes to be sealed. Install the escutcheon with the two mounting screws supplied. Apply decal onto the escutcheon as shown (see Figure 4).

7. Install Handles:

Small Handle (on/off): Place smaller tear drop handle onto upper "on/off" valve stem. When valve is in the closed position (turned fully in a counter-clockwise motion until stopped), the handle should point upward towards the off position as shown in the decal. Secure the handle in place with the screw supplied and install the index button to hide the screw.

Larger Handle (temperature adjustment): Before installing and setting the "loop" handle, make sure the stop washer leg is resting against the stop when turned counter-clockwise. Then check the outlet temperature with a thermometer to insure the maximum temperature is 112°. If the water temperature is not 112°F, remove stop washer retainer clip and stop washer (see Figure 5). Adjust stem as necessary to reach 112°F and replace stop washer and retainer clip making sure stop washer rests against stop when turned counter-clockwise. Then turn stem clockwise until 100°F temperature is achieved at the outlet. Place the handle on the stem with the pointer mark pointing to the 100°F mark. Secure the handle in place with screw supplied and install the index button to hide the screw.

Note: Both hot and cold water must be available to properly install and set the loop handle.

- 8. *Install shower head (if necessary):*** Install shower arm, slide wall flange over shower arm and install shower head.
- 9. *Install diverter spout (if necessary):*** If using 1/2" pipe, a 3/4" to 1/2" reducer is needed.
- 10. *Place a bead of caulk around the outer edge of the escutcheon to prevent water seepage.***

Figure (3)

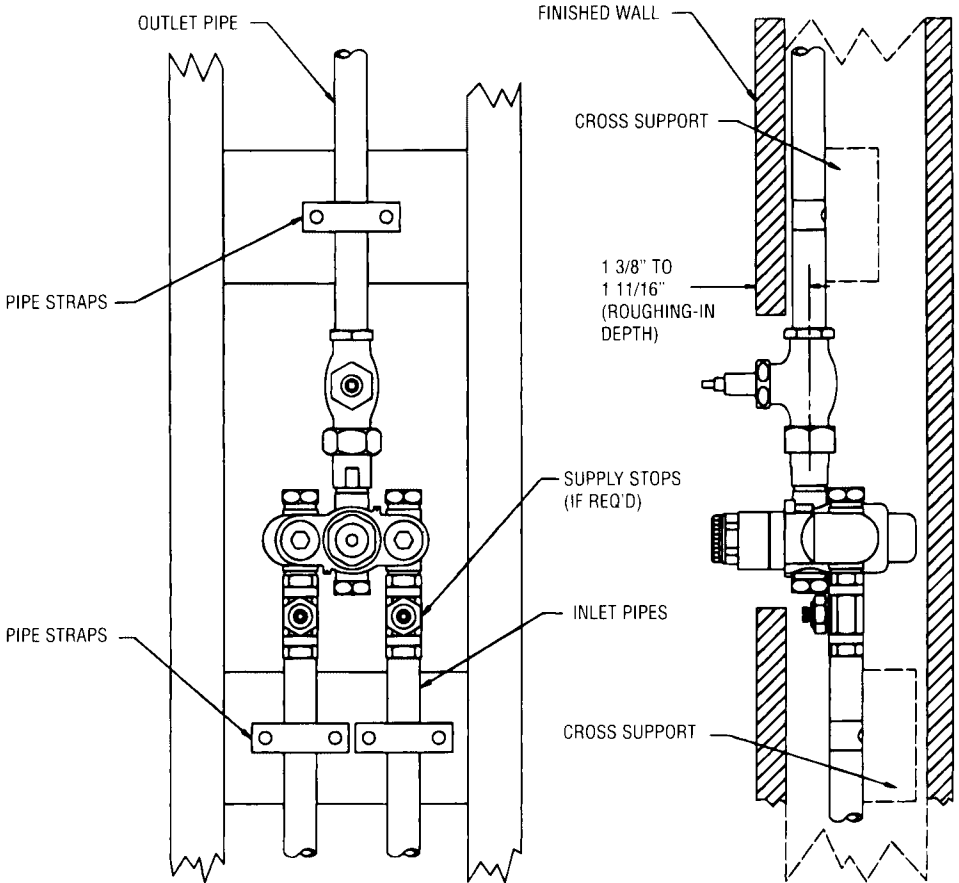


Figure (4)

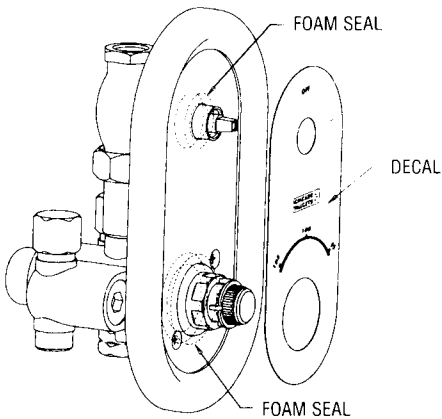
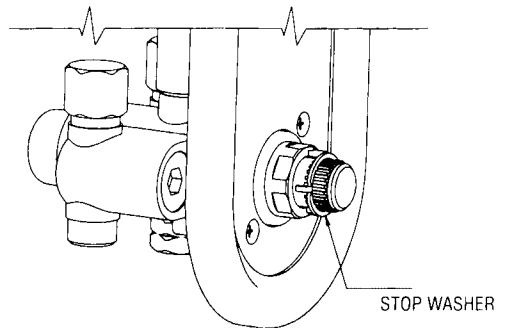


Figure (5)



Limited Warranty

All Chicago Faucet Company products are guaranteed to be free from defects in workmanship for (12) months from the date of shipment. Unless otherwise provided by applicable law, The Chicago Faucet Company's liability, if any, for any allegedly defective product or part shall be limited to repair or replacement of the product or part, at The Chicago Faucet Company's option, and The Chicago Faucet Company shall not be liable for any damages, whether incidental, consequential or otherwise, because of product or parts defects. And Buyer's installation of this product represents Buyer's agreement to this limitation. This warranty only applies when goods are used for purposes and under conditions for which they are intended.

The warranty with respect to the products of another manufacturer sold by The Chicago Faucet Company, is limited to the warranty extended to The Chicago Faucet Company by such manufacturer.

Except as provided above, any and all express and implied warranties with respect to products or parts sold by The Chicago Faucet Company, whether written or oral, including but not limited to implied warranties of merchantability and fitness for a particular purpose, hereby are excluded.



The Chicago Faucet Company
2100 Clearwater Drive
Des Plaines, IL 60018-5999
Phone: 708/803-5000 • Fax: 708/298-3101