

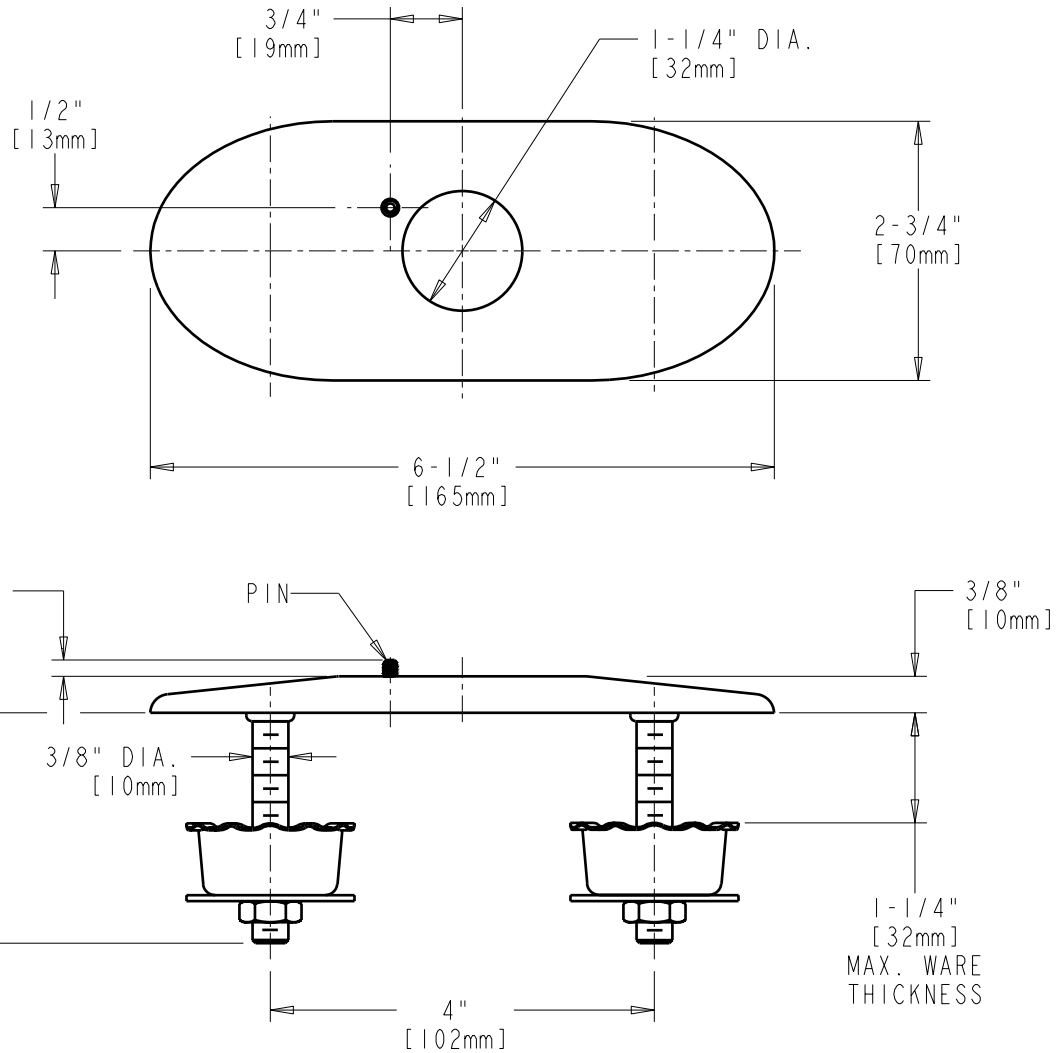
JOB NAME

ITEM NO.

SUBMITTED AS SHOWN

SUBMITTED AS NOTED

SEE ATTACHED FOR
SUBMITTED MODIFICATION



TECHNICAL DATA

- 4" COVER PLATE ASSEMBLY
- GUIDE SHANKS
- BASIN WASHERS
- WASHERS
- NUTS
- FINISH: CHROME PLATE

DATE: 03-12-07

BY: SID

CHK'D:

APP'D: *[Signature]*

REV:

240.627.21.1

ROUGHING IN DIMENSIONS MAY VARY AND ARE SUBJECT TO CHANGE. NO RESPONSIBILITY IS ASSUMED FOR USE OF SUPERCEDED OR VOIDED DATA.