

# ACCESSORIES AND PARTS

## 243.259.00.1



### Product Type

Transformer Hard-wire - Multi-use

### Features & Specifications

- Transformer type - Class 2
- Single- or multi-use capability (up to eight faucets)
- Connection - hard-wire primary and secondary
- Primary - black and white leads, 10" length
- Primary and secondary end stripped and tinned
- Primary input voltage - 120 VAC @ 60 Hz
- Secondary - yellow and yellow/white leads, 12" length
- Secondary output voltage 12 VAC
- Output current - 400 mA
- UL listed
- RoHS compliant
- 242.340.00.1 connecting wire not included (order separately)
- Hard-wired with standard 4" mounting plate
- Made in U.S.A.
- CFNow! Item Ships in 3 Days

### Warranty

- 1-Year Manufacturing Material Defects Warranty

Job Name \_\_\_\_\_

Item Number \_\_\_\_\_

Section/Tag \_\_\_\_\_

Model Specified \_\_\_\_\_

Architect \_\_\_\_\_

Engineer \_\_\_\_\_

Contractor \_\_\_\_\_

Submitted as Shown       Submitted with Variations

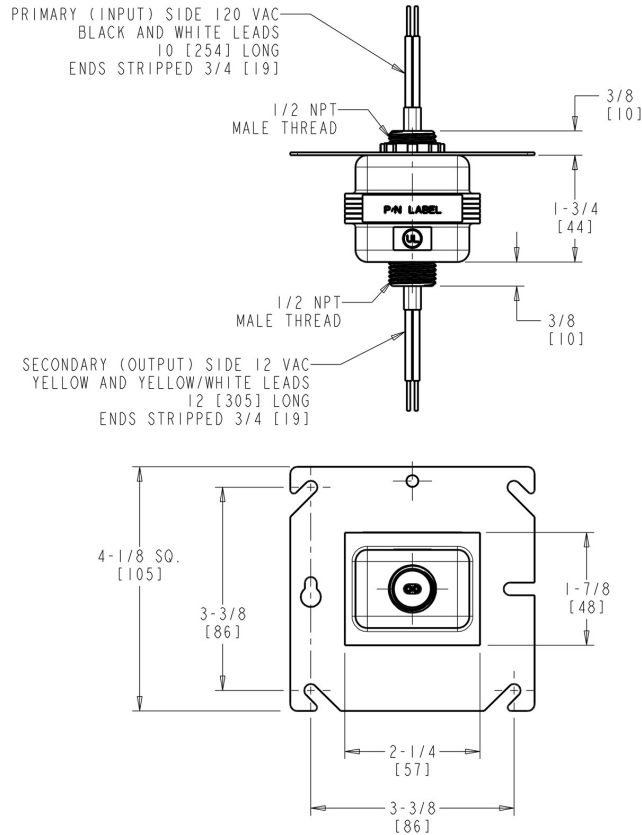
Date \_\_\_\_\_



2100 South Clearwater Drive  
Des Plaines, IL  
P: 847/803-5000  
F: 847/803-5454  
Technical: 800/TEC-TRUE  
www.chicagofaucets.com

**Architect/Engineer Specification**

Chicago Faucets No. 243.259.00.1, Hard-wire Transformer, multi-use. Transformer type - Class 2. Single-use or multi-use capability (up to 8 faucets). Connection: hard-wire primary and secondary. Primary and secondary ends stripped and tinned. Primary: black and white leads, 10 length. Secondary: yellow and yellow/white leads, 12 length. Output current - 400 mA. UL listed. RoHS compliant. 242.340.00.1 connecting wire not included (order separately). Hard-wired with standard 4 mounting plate. Made in U.S.A.



**Operation and Maintenance**

Installation should be in accordance with local plumbing codes. Flush all pipes thoroughly before installation. After installation, remove spout outlet or flow control and flush faucet thoroughly to clear any debris. Care should be taken when cleaning the product. Do not use abrasive cleaners, chemicals or solvents as they can result in surface damage. Use mild soap and warm water for cleaning and protecting the life of Chicago Faucet products. For specific operation and maintenance refer to the installation instructions and repair parts documents that are located at [www.chicagofaucets.com](http://www.chicagofaucets.com).

Chicago Faucets, member of the Geberit Group, is the leading brand of commercial faucets and fittings in the United States, offering a complete range of products for schools, laboratories, hospitals, office buildings, food service, airports and sport facilities. Call 1.800.TECTRUE or 1.847.803.5000 Option 1 for installation or other technical assistance.

