

## Model# 80997

### Two Handle Tub & Shower Set

#### FEATURES & SPECIFICATIONS

- Canopy Handles
- Shower Head, Arm & Flange
- 1/2" I.P.S. or 1/2" nominal copper Union Inlets
- Ceramic Disc Cartridges
- 8" Centers
- 1/2" IPS & Slip-on Combo Diverter Tub Spout

#### FINISHES

- PC Polished Chrome

#### STANDARDS

- ASME A112.18.1



#### WARRANTY

- Lifetime Limited Warranty
- Lifetime Residential Warranty
- 5 Year Commercial Warranty

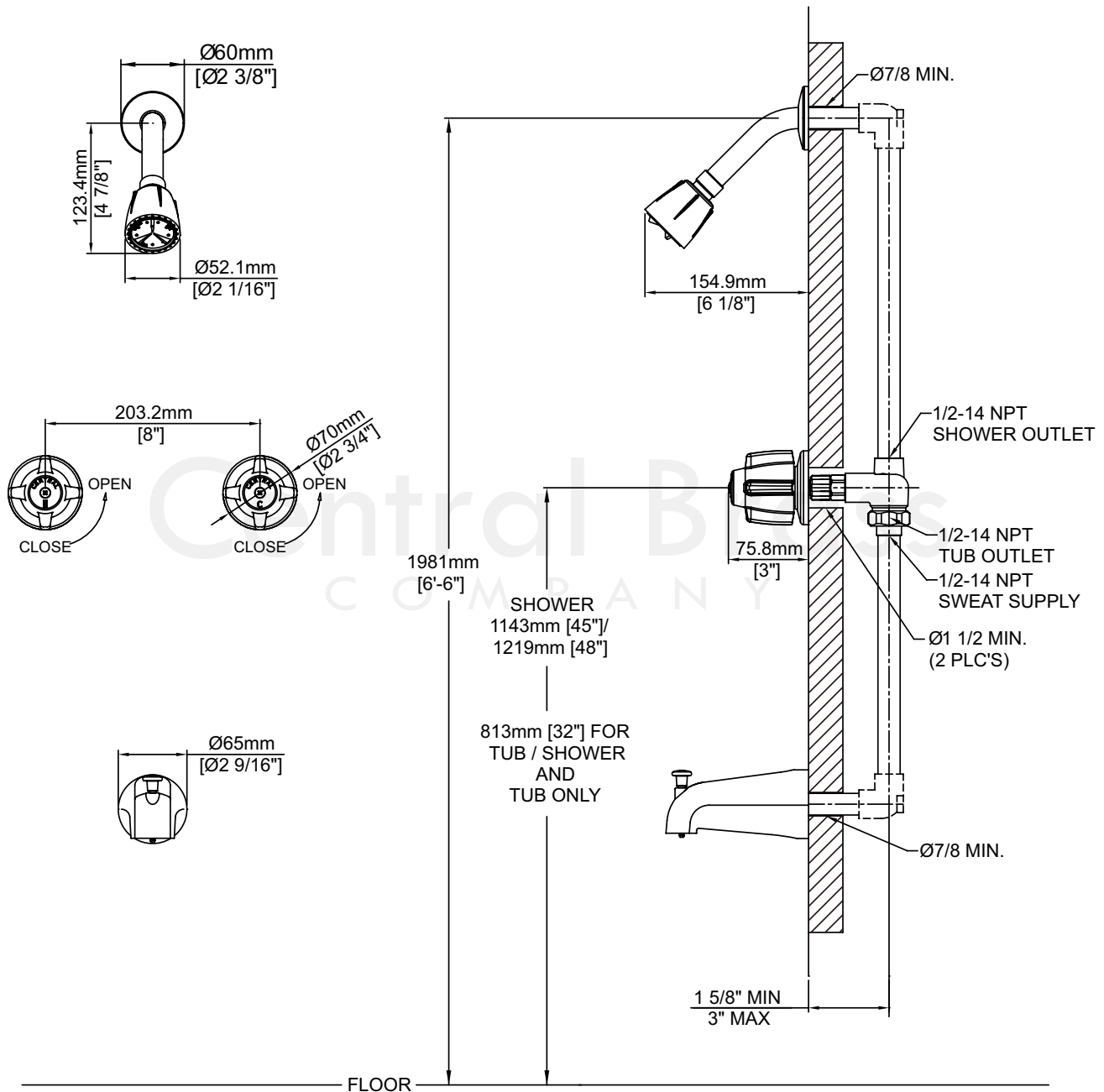
80997/REV. 11 2016

Product Specifications subject to change without notice

Job Name \_\_\_\_\_ Date \_\_\_\_\_  
Model Specified \_\_\_\_\_ QTY \_\_\_\_\_  
Customer/Wholesaler \_\_\_\_\_  
Contractor \_\_\_\_\_  
Architect/Engineer \_\_\_\_\_  
Submitted as Shown \_\_\_\_\_  
Submitted w/ Variations \_\_\_\_\_

## Model# 80997

### Two Handle Tub & Shower Set



80997/REV. 11 2016

Product Specifications subject to change without notice