

## Model# 80054-U-I

### Two Handle Wallmount Service Sink Faucet

#### FEATURES & SPECIFICATIONS

- Canopy Handles
- 5-3/4" Rigid Spout With Pail Hook And Top Brace to Wall With Flange, Hose Thread
- 1/2-14 NPS Female Thread
- Ceramic Disc Cartridges, Built-in Stops
- 2-Hole 7-7/8" to 8-1/8" Installation
- Vacuum Breaker

#### FINISHES

- PC Polished Chrome

#### STANDARDS

- ASME A112.18.1
- ANSI A117.1 / ADA COMPLIANT



#### WARRANTY

- Lifetime Limited Warranty
- Lifetime Residential Warranty
- 5 Year Commercial Warranty

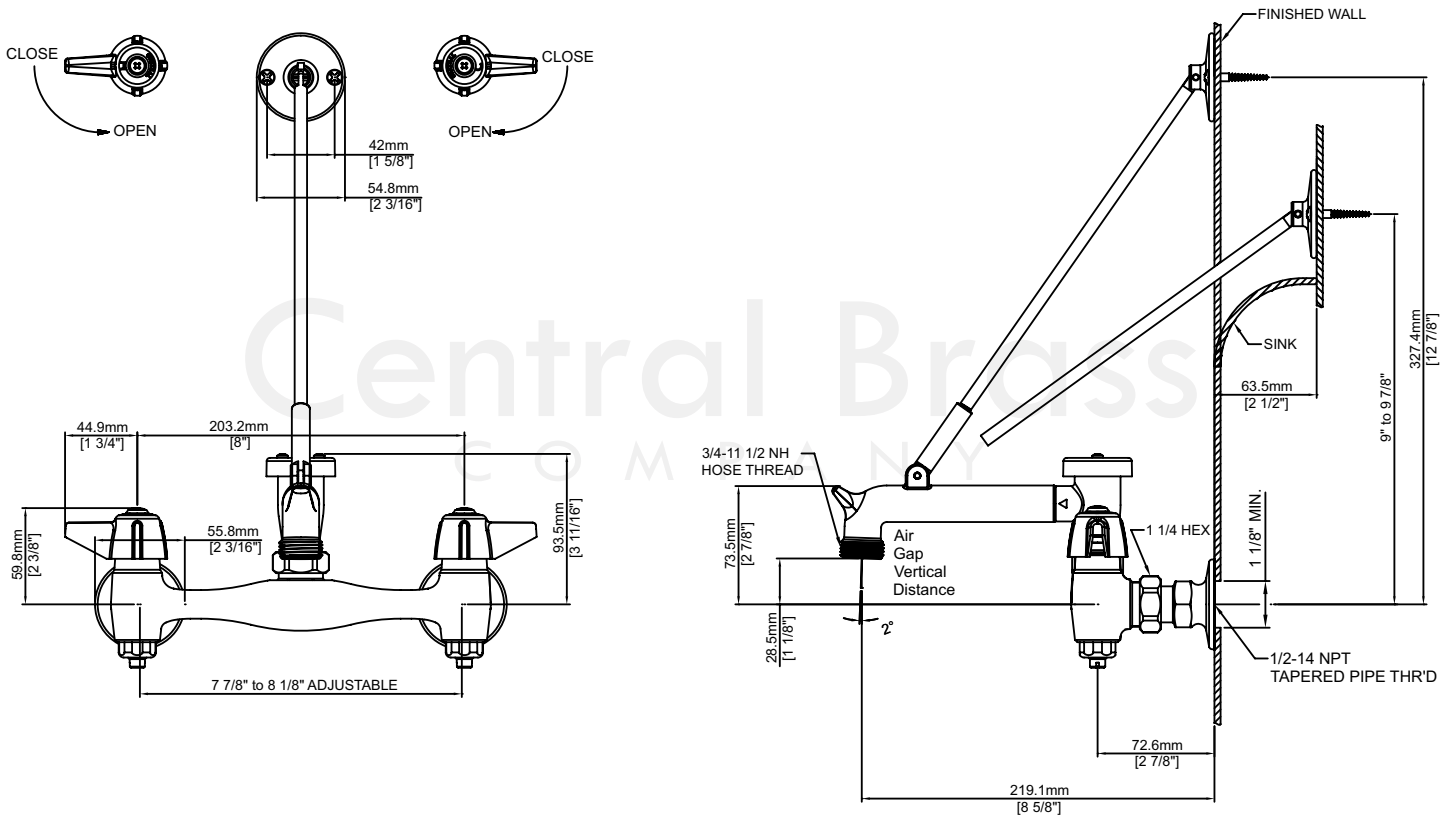
80054-U-I/REV. 11 2016

Product Specifications subject to change without notice

Job Name \_\_\_\_\_ Date \_\_\_\_\_  
Model Specified \_\_\_\_\_ QTY \_\_\_\_\_  
Customer/Wholesaler \_\_\_\_\_  
Contractor \_\_\_\_\_  
Architect/Engineer \_\_\_\_\_  
Submitted as Shown \_\_\_\_\_  
Submitted w/ Variations \_\_\_\_\_

## Model# 80054-U-I

### Two Handle Wallmount Service Sink Faucet



80054-U-I/REV. 11 2016

Product Specifications subject to change without notice