

## Model# 1131-B

### Two Handle Shampoo Faucet

#### FEATURES & SPECIFICATIONS

- Canopy Handles
- 35 Degree Bottom Outlet Supply Tube
- 1/2-14 NPS Male Inlets X 1-7/8" Long
- Replaceable Seats
- 3-Hole 4" Installation

#### FINISHES

- PC Polished Chrome

#### STANDARDS

- ASME A112.18.1
- ANSI A117.1 / ADA COMPLIANT



#### WARRANTY

- Lifetime Limited Warranty
- Lifetime Residential Warranty
- 5 Year Commercial Warranty

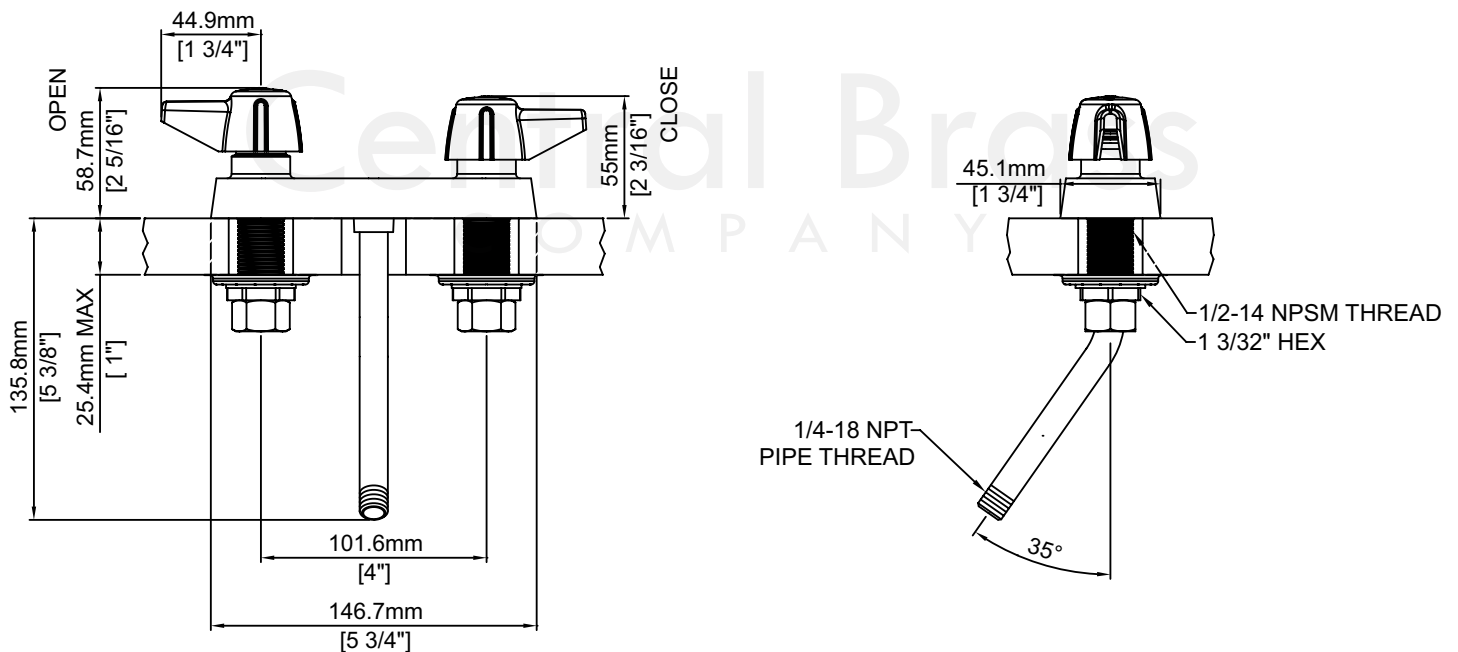
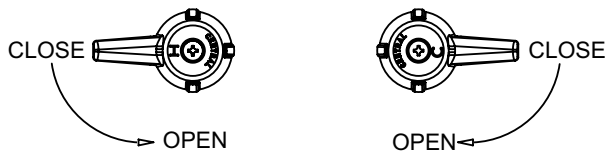
1131-B/REV. 11 2016

Product Specifications subject to change without notice

Job Name \_\_\_\_\_ Date \_\_\_\_\_  
Model Specified \_\_\_\_\_ QTY \_\_\_\_\_  
Customer/Wholesaler \_\_\_\_\_  
Contractor \_\_\_\_\_  
Architect/Engineer \_\_\_\_\_  
Submitted as Shown \_\_\_\_\_  
Submitted w/ Variations \_\_\_\_\_

## Model# 1131-B

### Two Handle Shampoo Faucet



1131-B/REV. 11 2016

Product Specifications subject to change without notice