

Model# 1172-11AELS-Q

Two Handle Widespread Lavatory Faucet

FEATURES & SPECIFICATIONS

- 4" Wrist Blade Handles With Color-Coded Indexes
- 4-1/2" Low Profile Spout
- Flexible Hose Connections
- Quick-Pression Quarter-Turn Stems, Replaceable Seats
- 3-Hole 6" to 24" Installation
- 1.5 GPM Flow Rate
- 1.5 GPM Flow Rate



FINISHES

- PC Polished Chrome

STANDARDS

- ASME A112.18.1
- ANSI / NSF 61, SECTION 9
- CUPC / IAPMO LISTED
- ANSI A117.1 / ADA COMPLIANT
- CONTAINS NO MORE THAN 0.25% WEIGHTED AVERAGE LEAD CONTENT



FLOW

- 1.5 GPM Flow Rate

WARRANTY

- Lifetime Limited Warranty
- Lifetime Residential Warranty
- 5 Year Commercial Warranty

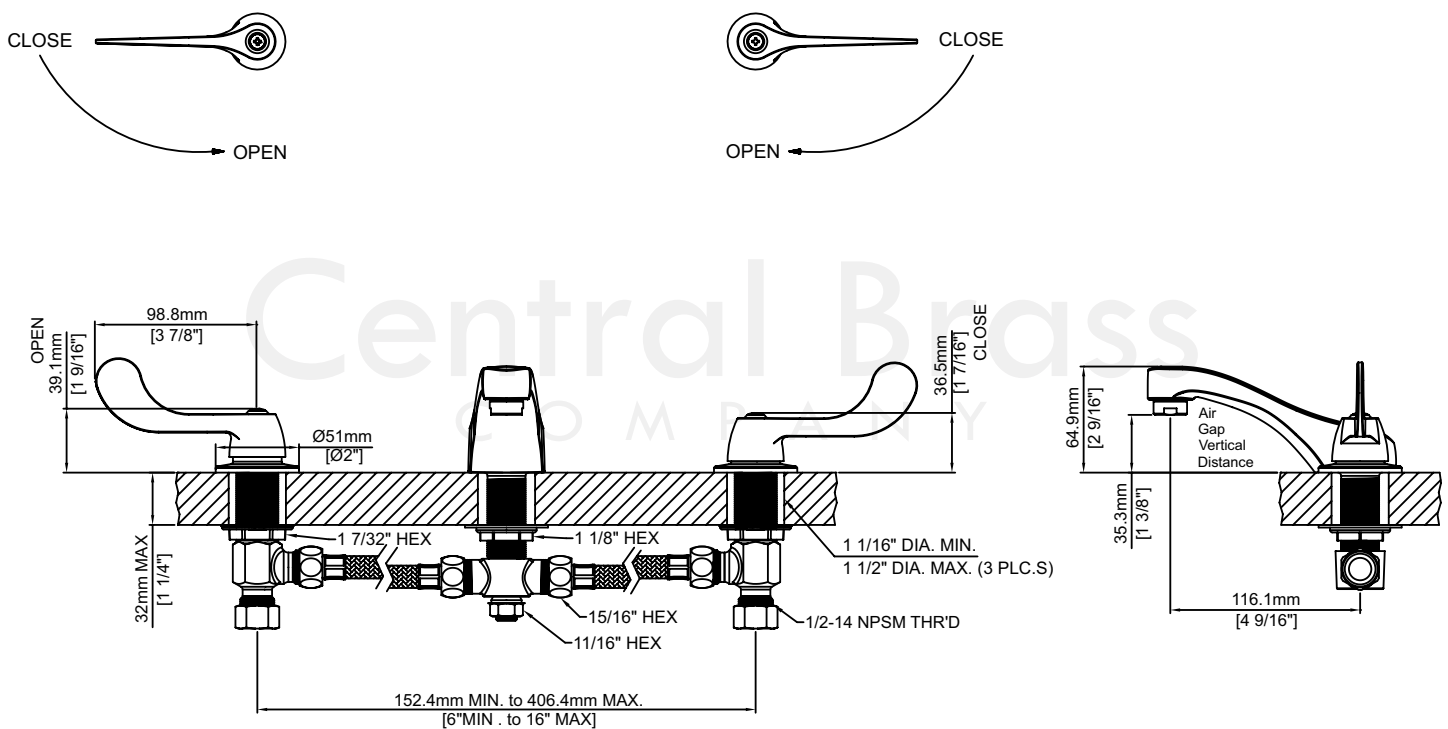
1172-11AELS-Q/REV. 11 2016

Product Specifications subject to change without notice

Job Name _____ Date _____
Model Specified _____ QTY _____
Customer/Wholesaler _____
Contractor _____
Architect/Engineer _____
Submitted as Shown _____
Submitted w/ Variations _____

Model# 1172-11AELS-Q

Two Handle Widespread Lavatory Faucet



1172-11AELS-Q/REV. 11 2016

Product Specifications subject to change without notice