

CENTRAL BRASS COMPANY
 1277 Heil Quaker Blvd.
 La Vergne, TN 37086
 (800) 321-8630
 www.centralbrass.com

INSTALLATION

Tools:



Adjustable Wrench



Power Drill



Teflon Tape



Rags

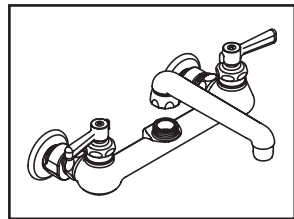
Model Number: 0641, 0642-LE

Warnings and Notes:

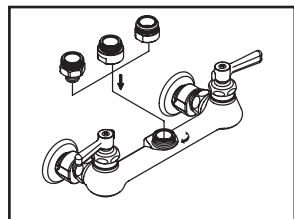
Check with local plumbing code requirements before installation.
 This product should be installed by a local listed plumber.
Do not use plumbers putty on threads.

Installation Steps:

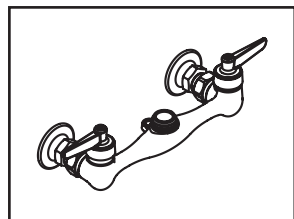
Swivel Pre-Rinse Unit



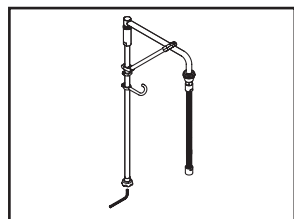
(1a) For existing faucet which is not Central Brass to change to pre-rinse faucet installation: Remove spout from existing faucet.



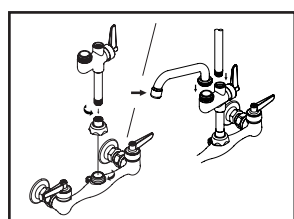
(1b) Choose the proper adapter supplied and attach to faucet body.



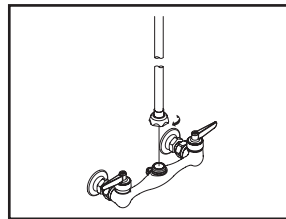
(2) For new faucet installation: Please refer to the installation instruction which comes with the faucet you want to install.



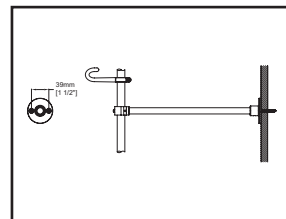
(3a) If there is no add-on faucet, please go to step (4). Remove body adapter from overhead swivel unit with Allen wrench supplied with add-on faucet.



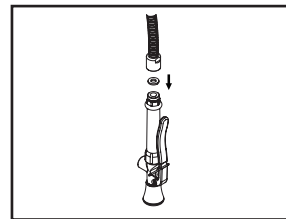
(3b) Attach body adapter to inlet of add-on faucet with Allen wrench. Apply Teflon tape to thread end of overhead swivel unit then thread overhead swivel unit to add-on faucet, attach add-on faucet to faucet body by tightening body adapter with wrench then attach spout to add-on faucet, go to step (5).



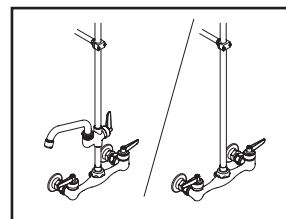
(4) Attach overhead swivel pre-rinse assembly to faucet body by tightening body adapter with wrench.



(5) Install 12" adjustable wall bracket and cut the excess support arm to fit in proper distance from wall to overhead swivel unit. Attach finger hook & screw, adjust to proper position.



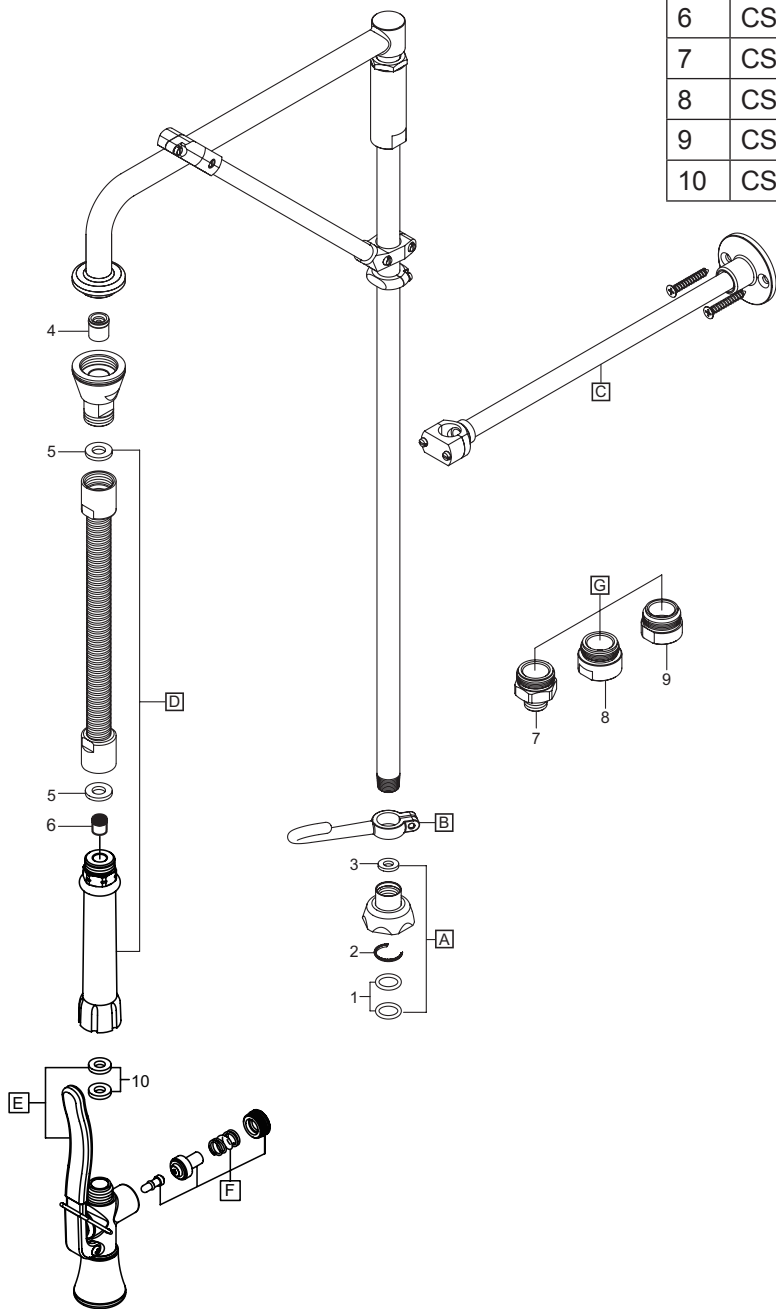
(6) Make sure hose washer is inside 20" hose connection end and tighten spray valve to 20" hose with wrench.



(7) Turn on water and check any leak on all connections.

Exploded Drawing (0641)

	ITEM #	DESCRIPTION
A	CS-42020	Body adapter
B	CS-42017	Finger hook & screw
C	CS-42018	12" Adjustable Wall Bracket
D	CS-42027	26" Hose and Handle Assembly
E	CS-42006	1.0 GPM Spray Valve
F	CS-42010	Spray Repair Kit
G	CS-42029	Adapter Package
1	X1038-KN	O-ring (25 pcs/pk)
2	CS-42021	Friction Brass Washer
3	CS-42022	Body adapter Washer
4	CS-42030	15 mm Check Valve
5	CS-42025	Hose Washer
6	CS-42024	10 mm Check Valve
7	CS-42007	Adapter For Fisher
8	CS-42008	Adapter For Chicago Faucets
9	CS-42009	Adapter For T&S
10	CS-42023	Hose adapter Washer



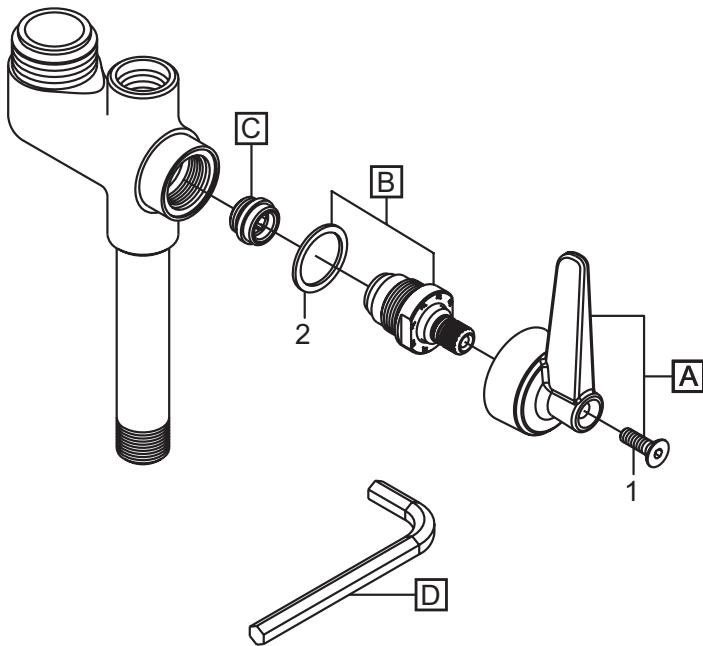
Central Brass

COMPANY

For more care information or trouble shooting inquiries about your Central Brass product, please call: **Central Brass Company** (800) 321-8630
 Monday-Friday 8AM to 8PM EST (5AM to 5PM PST)
www.centralbrass.com

Exploded Drawing (0642-LE)

	ITEM #	DESCRIPTION
A	CS-19007P	Lever Handle-Plain
B	G-453-ER	Hot O-Ring Stem Assembly with Gasket (X1028-Y)
C	X263-BC	Replacement Seat (10 pcs/pk)
D	CS-42026	1/4" Allen Wrench
1	CS-49033	Handle Screw
2	X1028-Y	Gasket (25 pcs/pk)



Central Brass
C O M P A N Y

For more care information or trouble shooting inquiries
about your Central Brass product, please
call: **Central Brass Company** (800) 321-8630
Monday-Friday 8AM to 8PM EST (5AM to 5PM PST)
www.centralbrass.com