

## Model# 0364-LV

### Drinking Faucet

#### FEATURES & SPECIFICATIONS

- Self-Close Lever Handle
- 1/2-14 NPS Male Thread
- Replaceable Seat
- Vandal-Resistant Cap

#### FINISHES

- PC Polished Chrome

#### STANDARDS

- ASME A112.18.1
- ANSI / NSF 61, SECTION 9
- CUPC / IAPMO LISTED
- CONTAINS NO MORE THAN 0.25% WEIGHTED AVERAGE LEAD CONTENT



#### WARRANTY

- Lifetime Limited Warranty
- Lifetime Residential Warranty
- 5 Year Commercial Warranty

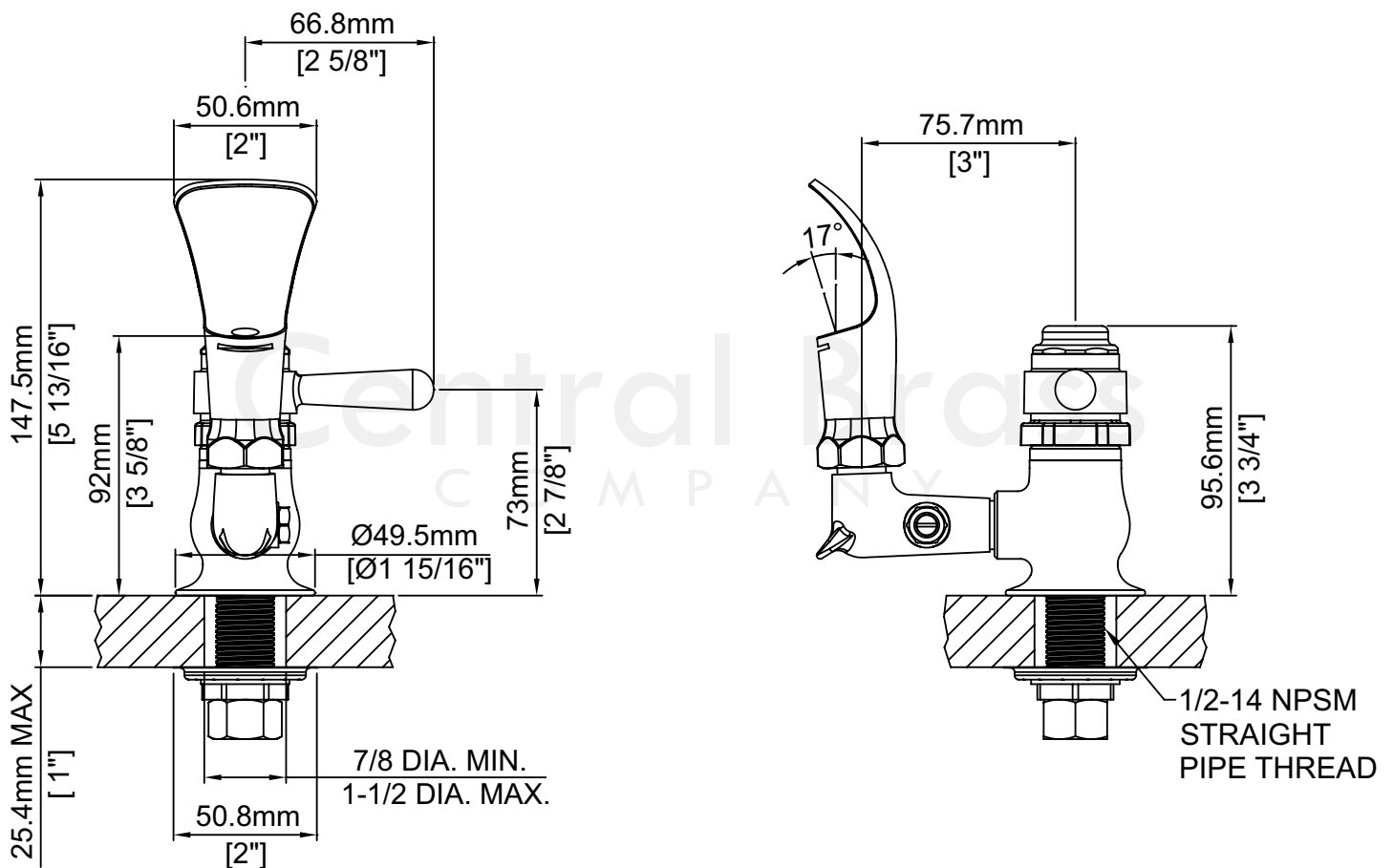
Job Name \_\_\_\_\_ Date \_\_\_\_\_  
Model Specified \_\_\_\_\_ QTY \_\_\_\_\_  
Customer/Wholesaler \_\_\_\_\_  
Contractor \_\_\_\_\_  
Architect/Engineer \_\_\_\_\_  
Submitted as Shown \_\_\_\_\_  
Submitted w/ Variations \_\_\_\_\_

0364-LV/REV. 11 2016

Product Specifications subject to change without notice

## Model# 0364-LV

### Drinking Faucet



0364-LV/REV. 11 2016

Product Specifications subject to change without notice