

Model# 0094-H

Two Handle Shell Type Bar/Laundry Faucet

FEATURES & SPECIFICATIONS

- Canopy Handles
- 6" Tube Swivel Spout, Hose Thread
- Replaceable Seats
- 2 or 3-Hole 4" Installation

FINISHES

- PC Polished Chrome

STANDARDS

- ASME A112.18.1
- ANSI / NSF 61, SECTION 9
- CUPC / IAPMO LISTED
- ANSI A117.1 / ADA COMPLIANT
- CONTAINS NO MORE THAN 0.25% WEIGHTED AVERAGE LEAD CONTENT



WARRANTY

- Lifetime Limited Warranty
- Lifetime Residential Warranty
- 5 Year Commercial Warranty

0094-H/REV. 11 2016

Product Specifications subject to change without notice

Job Name _____ Date _____

Model Specified _____ QTY _____

Customer/Wholesaler _____

Contractor _____

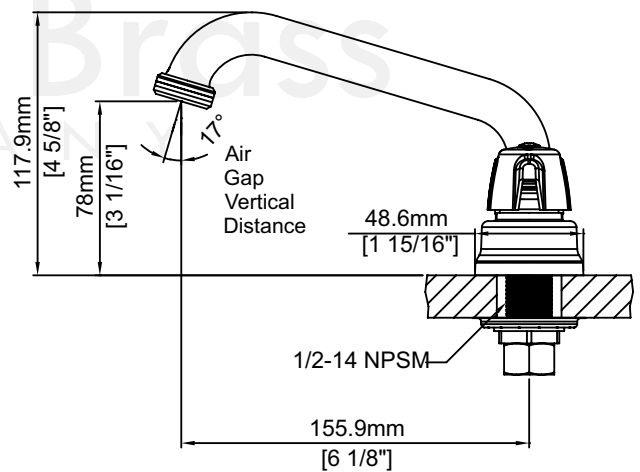
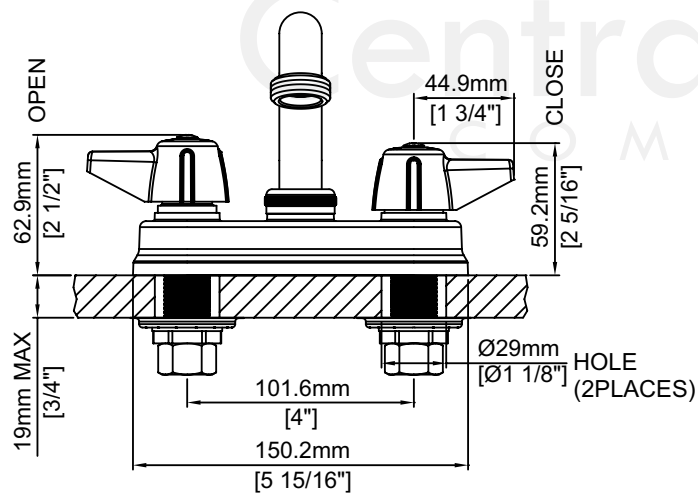
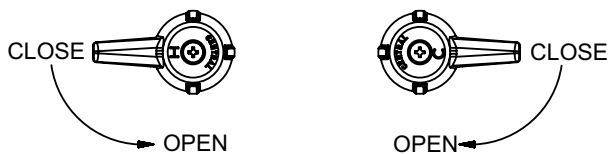
Architect/Engineer _____

Submitted as Shown _____

Submitted w/ Variations _____

Model# 0094-H

Two Handle Shell Type Bar/Laundry Faucet



0094-H/REV. 11 2016

Product Specifications subject to change without notice