

Model# 0211-Q

Two Handle Leg Tub Faucet

FEATURES & SPECIFICATIONS

- 4-Arm Handles
- 3/4-14 NPS Male Inlets
- Quick-Presson Quarter-Turn Stems, Replaceable Seat
- 2-Hole 2-1/2" to 8-1/2" Installation

FINISHES

- PC Polished Chrome

STANDARDS

- ASME A112.18.1



WARRANTY

- Lifetime Limited Warranty
- Lifetime Residential Warranty
- 5 Year Commercial Warranty

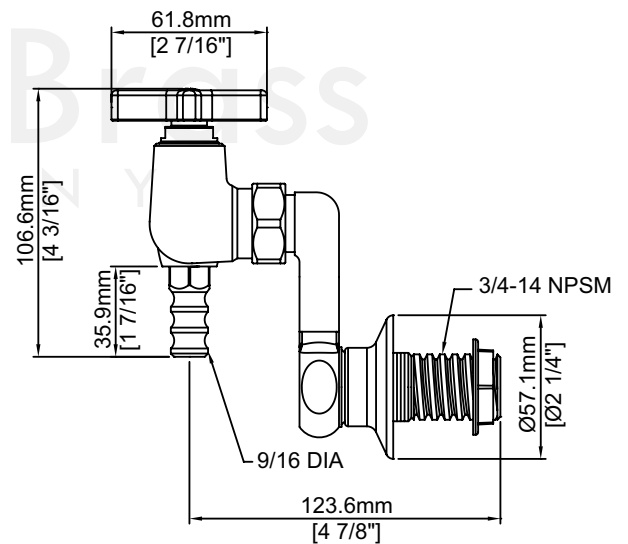
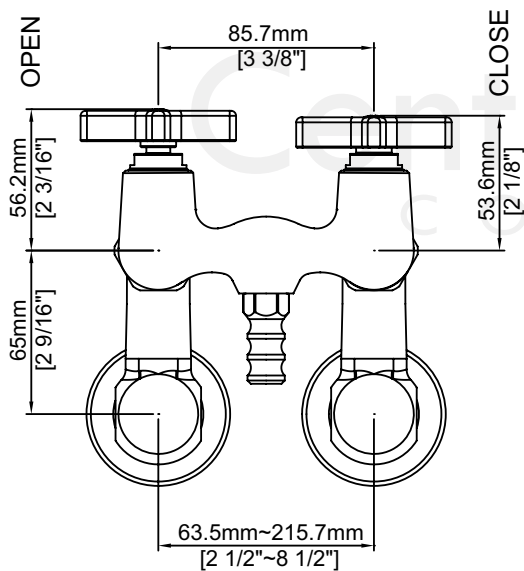
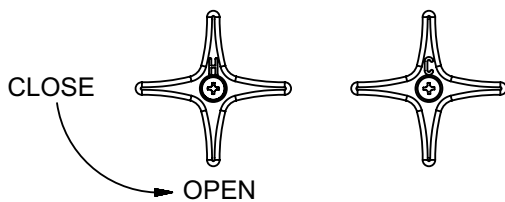
0211-Q/REV. 11 2016

Product Specifications subject to change without notice

Job Name _____ Date _____
Model Specified _____ QTY _____
Customer/Wholesaler _____
Contractor _____
Architect/Engineer _____
Submitted as Shown _____
Submitted w/ Variations _____

Model# 0211-Q

Two Handle Leg Tub Faucet



0211-Q/REV. 11 2016

Product Specifications subject to change without notice