

Model# 0112-AL

FEATURES & SPECIFICATIONS

- Overflow Socket Drain
- 1-11 1/2 NPS Shank X 1-7/8" Long
- Accessories-Overflow Socket Drain

FINISHES

- PC Polished Chrome

STANDARDS

- ASME A112.18.1



WARRANTY

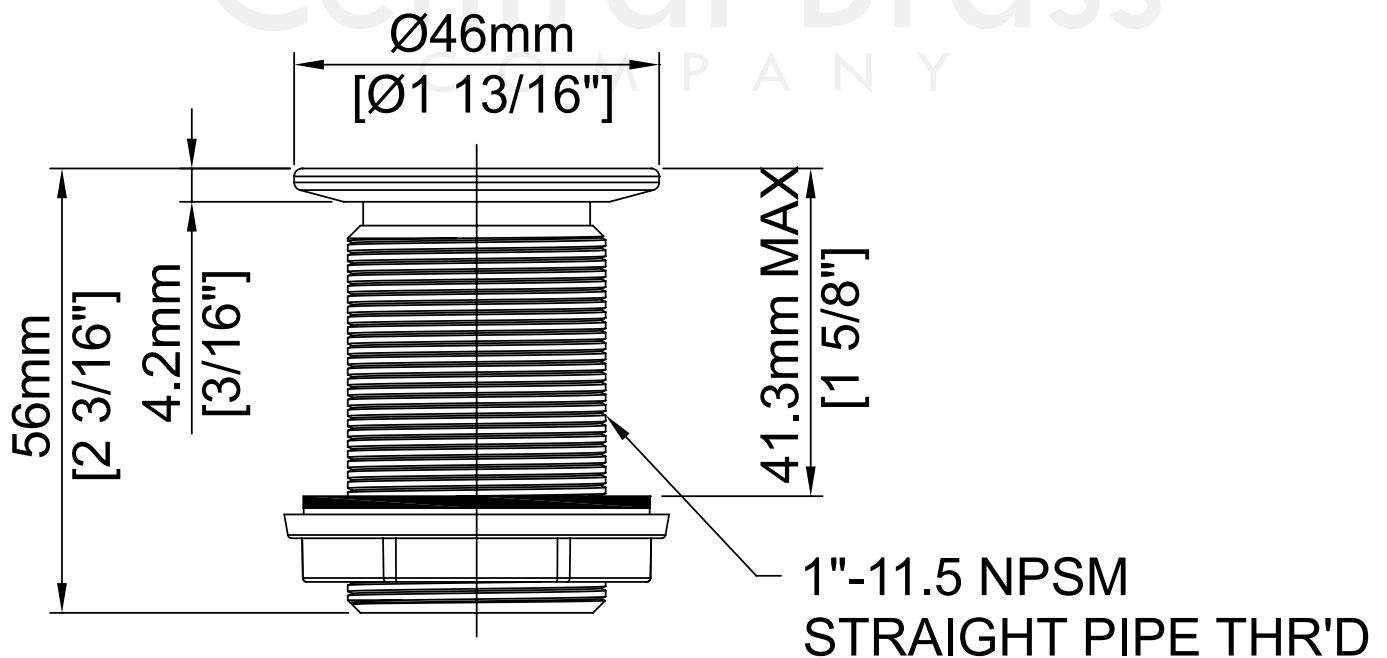
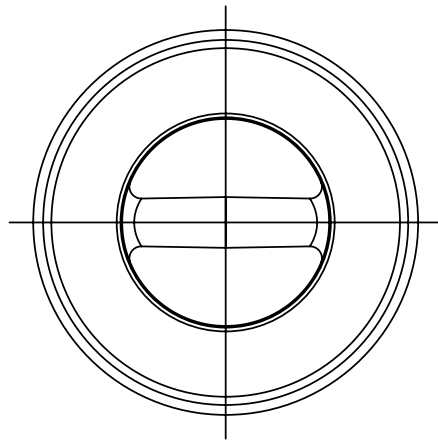
- Lifetime Limited Warranty
- Lifetime Residential Warranty
- 5 Year Commercial Warranty

0112-AL/REV. 11 2016

Product Specifications subject to change without notice

Job Name _____ Date _____
Model Specified _____ QTY _____
Customer/Wholesaler _____
Contractor _____
Architect/Engineer _____
Submitted as Shown _____
Submitted w/ Variations _____

Model# 0112-AL



0112-AL/REV. 11 2016

Product Specifications subject to change without notice