

Model# 1130

Single Handle Shampoo Faucet

FEATURES & SPECIFICATIONS

- Lever Handle
- Ceramic Disc Cartridge W/Temperature Limit Stop
- Back-flow Preventers Included
- 2-Hole 4" to 18" Installation
- Pull-out Dual Pattern Sprayhead W/60" Heavy Duty Rubber Hose
- 2.0 GPM Flow Rate

FINISHES

- PC Polished Chrome

STANDARDS

- ASME A112.18.1
- CUPC / IAPMO LISTED
- ANSI A117.1 / ADA COMPLIANT



FLOW

- 2.0 GPM Flow Rate

WARRANTY

- Lifetime Limited Warranty
- Lifetime Residential Warranty
- 5 Year Commercial Warranty

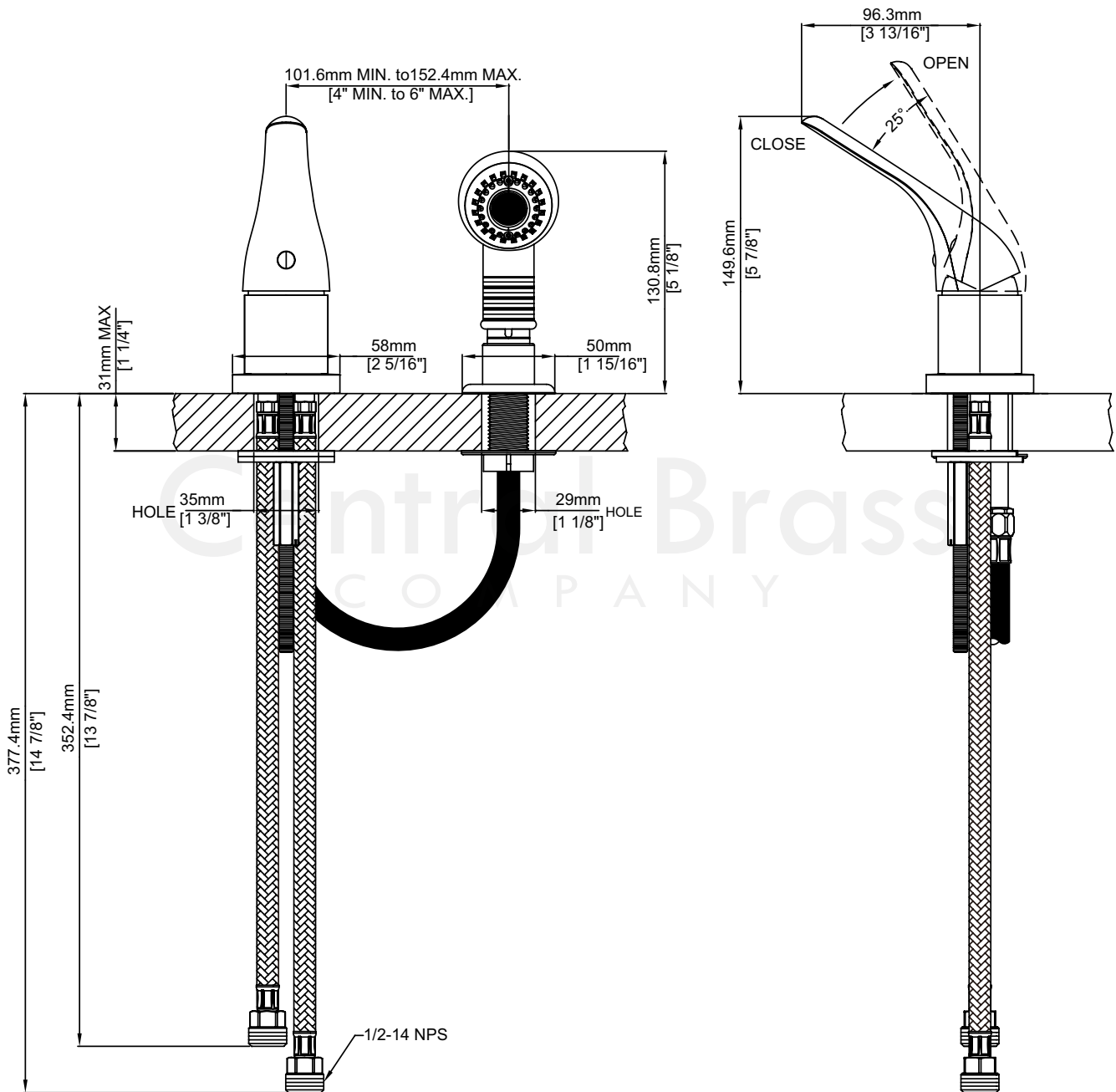
1130/REV. 11 2016

Product Specifications subject to change without notice

Job Name _____ Date _____
Model Specified _____ QTY _____
Customer/Wholesaler _____
Contractor _____
Architect/Engineer _____
Submitted as Shown _____
Submitted w/ Variations _____

Model# 1130

Single Handle Shampoo Faucet



1130/REV. 11 2016

Product Specifications subject to change without notice