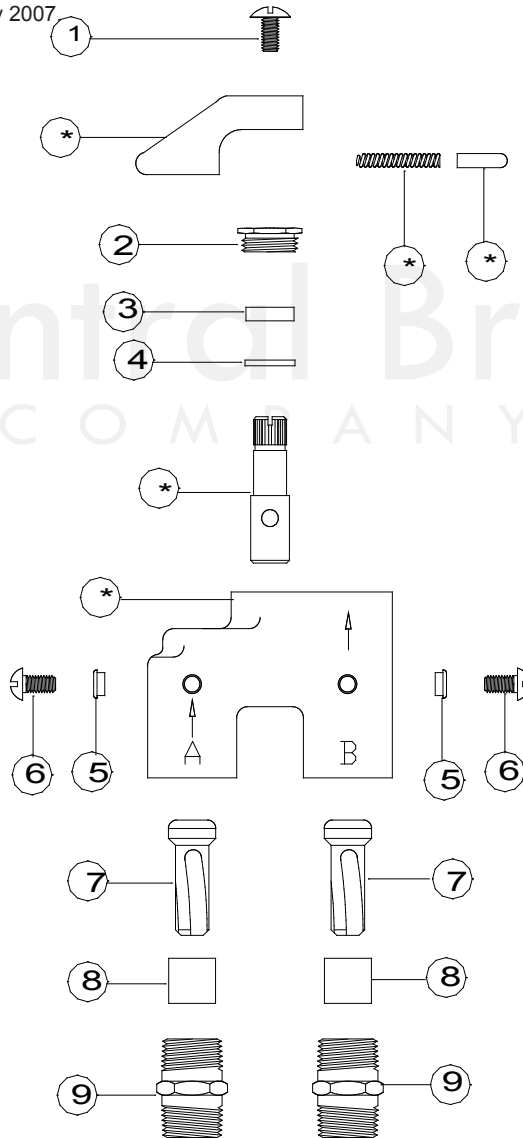


Model# 0555  
0555-D  
0555-RC

La Vergne, TN 37086  
Fax: 800.338.9414  
Email: sales@centralbrass.com  
www.centralbrass.com

There is More than 1 Version of this model. Page down to identify the version you have.

1st Generation Valve-Manufactured before May 2007



ITEM#	DESCRIPTION	ITEM#	DESCRIPTION
1	X107-S Screw (25 Pcs Per Pack)	6	X105-H (For 'D' Suffix) Screw (6 Pcs Per Pack)
2	X353-DH Packing Nut (10 Pcs Per Pack)	7	X5019-R Check Valve (2 Pcs Per Pack)
3	X353-CW Packing (10 Pcs Per Pack)	8	362-R Check Valve Sleeve (For 0555, 0555-D)
4	X82-J Brass Washer (6 Pcs Per Pack)	9	362-FR Nipple (For 0555, 0555-D)
5	X420-N (For 'D' Suffix) Nylon Washer (12 Pcs Per Pack)		

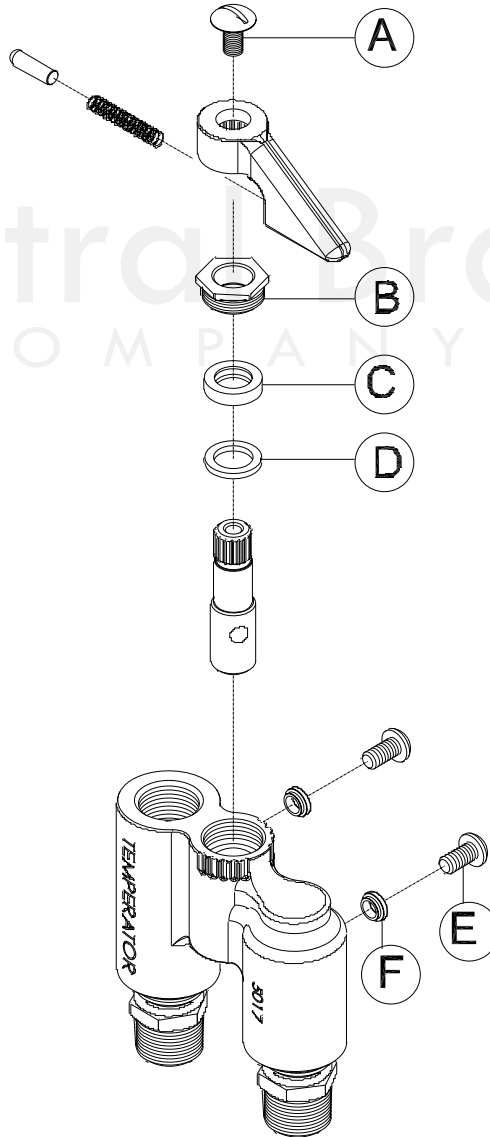
0555 Series/REV. 09 2016

Model# 0555  
0555-D  
0555-RC

La Vergne, TN 37086  
Fax: 800.338.9414  
Email: sales@centralbrass.com  
www.centralbrass.com

There is More than 1 Version of this model. Page down to identify the version you have.

2nd Generation Valve-Manufactured between May 2007 And November 2011.



ITEM#	DESCRIPTION	ITEM#	DESCRIPTION
A	X107-S Screw (25 Pcs Per Pack)	D	X82-J Brass Washer (6 Pcs Per Pack)
B	X353-DH Packing Nut (10 Pcs Per Pack)	E	X105-H (For 'D' Suffix) Screw (6 Pcs Per Pack)
C	X353-CW Packing (10 Pcs Per Pack)	F	X420-N (For 'D' Suffix) Nylon Washer (12 Pcs Per Pack)

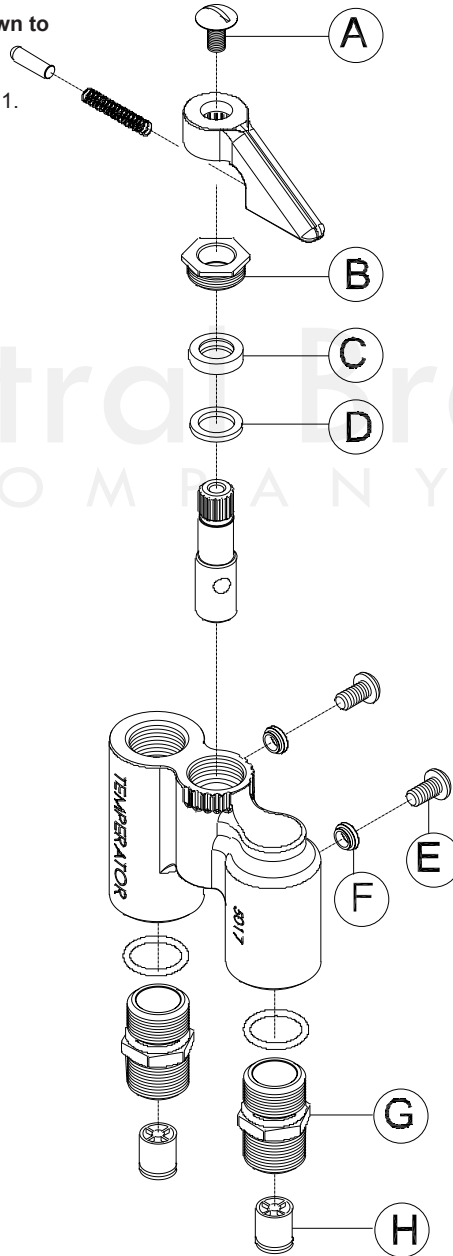
0555 Series/REV. 09 2016

Model# 0555  
0555-D  
0555-RC

La Vergne, TN 37086  
Fax: 800.338.9414  
Email: sales@centralbrass.com  
www.centralbrass.com

There is More than 1 Version of this model. Page down to identify the version you have.

3rd Generation Valve-Manufactured After November 2011.

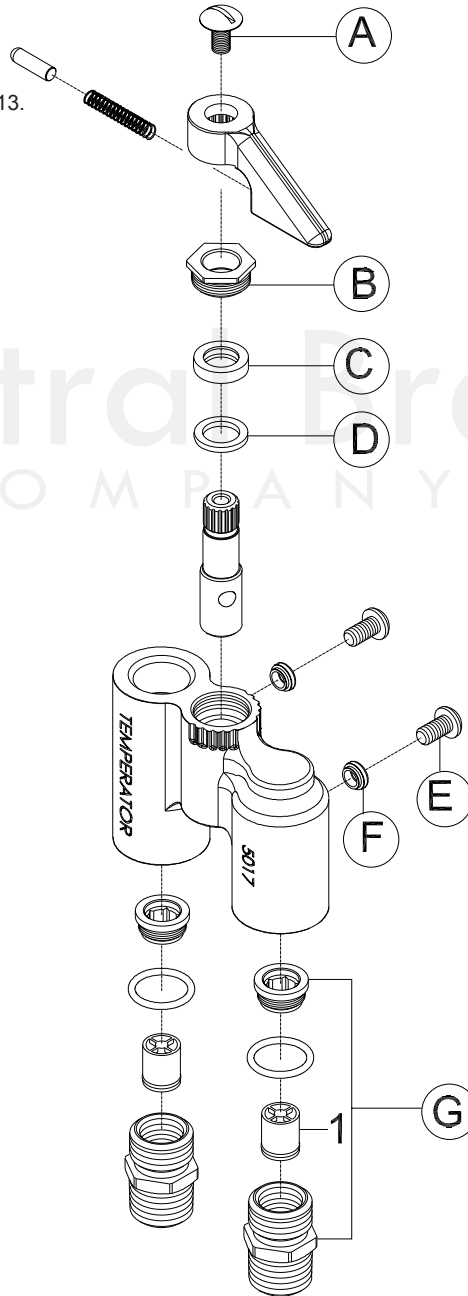


ITEM#	DESCRIPTION	ITEM#	DESCRIPTION
A	X107-S Screw (25 Pcs Per Pack)	E*	X105-H (For 'D' Suffix) Screw (6 Pcs Per Pack)
B	X353-DH Packing Nut (10 Pcs Per Pack)	F*	X420-N (For 'D' Suffix) Nylon Washer (12 Pcs Per Pack)
C	X353-CW Packing (10 Pcs Per Pack)	G	362-FR Nipple
D	X82-J Brass Washer (6 Pcs Per Pack)	H	CS-47001 Check Valve

Model# 0555  
0555-D  
0555-RC

La Vergne, TN 37086  
Fax: 800.338.9414  
Email: sales@centralbrass.com  
www.centralbrass.com

4th Generation Valve-Manufactured After November 2013.



ITEM#	DESCRIPTION	ITEM#	DESCRIPTION
A	X107-S Screw (25 Pcs Per Pack)	E*	X105-H (For 'D' Suffix) Screw (6 Pcs Per Pack)
B	X353-DH Packing Nut (10 Pcs Per Pack)	F*	X420-N (For 'D' Suffix) Nylon Washer (12 Pcs Per Pack)
C	X353-CW Packing (10 Pcs Per Pack)	G	CS-47002 Nipple With Check Valve
D	X82-J Brass Washer (6 Pcs Per Pack)	1	CS-47001 Check Valve

0555 Series/REV. 09 2016