

Model# 0470

Two Handle Laundry Faucet

FEATURES & SPECIFICATIONS

- Lever Handles
- 6" Tube Swivel Spout, Hose Thread
- 1/2-14 NPSF (Dryseal) Female Inlets
- 3-1/2" Centers
- Offset Legs For Wallmount
- Offset Legs For Wallmount
- 1/2" IP or copper Sweat Union Inlets

FINISHES

- RB Rough Brass

STANDARDS

- ASME A112.18.1
- ANSI A117.1 / ADA COMPLIANT



WARRANTY

- Lifetime Limited Warranty
- Lifetime Residential Warranty
- 5 Year Commercial Warranty

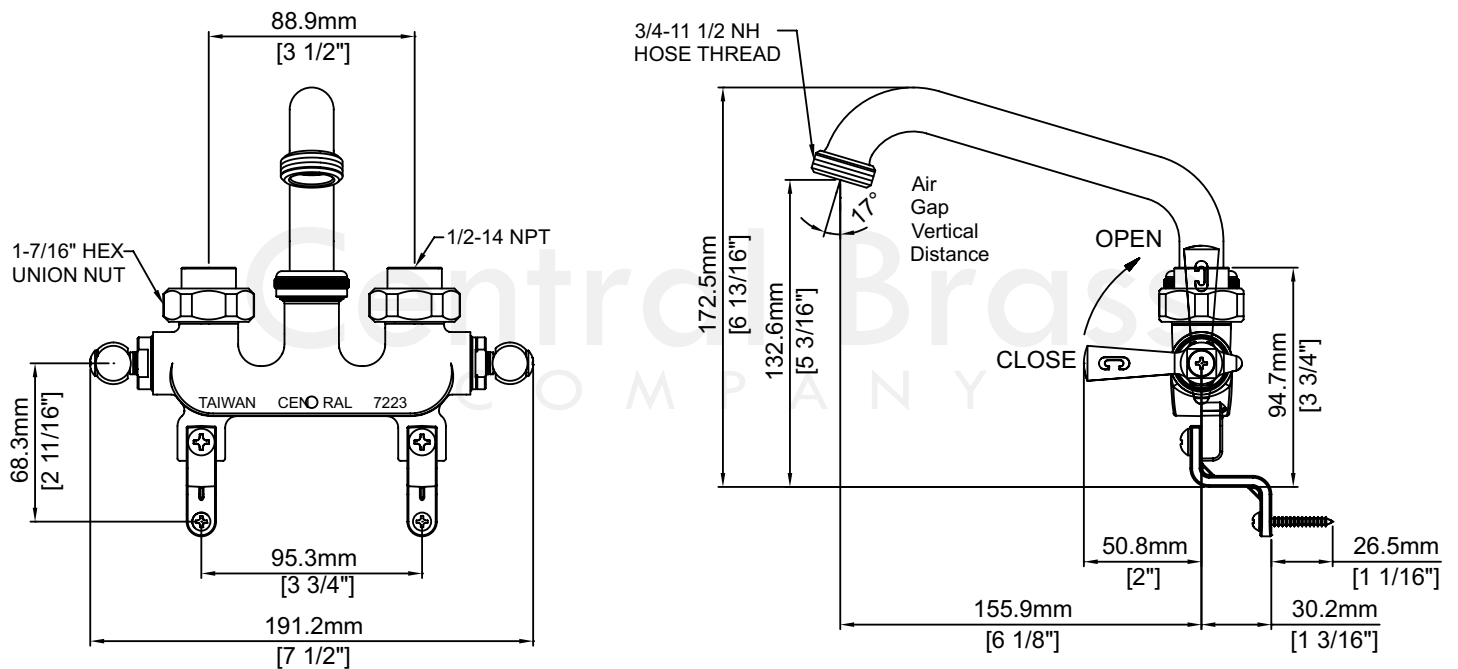
0470/REV. 11 2016

Product Specifications subject to change without notice

Job Name _____ Date _____
Model Specified _____ QTY _____
Customer/Wholesaler _____
Contractor _____
Architect/Engineer _____
Submitted as Shown _____
Submitted w/ Variations _____

Model# 0470

Two Handle Laundry Faucet



0470/REV. 11 2016

Product Specifications subject to change without notice