

## Model# 0211

### Two Handle Leg Tub Faucet

#### FEATURES & SPECIFICATIONS

- Round Metal Handles
- 3/4-14 NPS Male Inlets
- Replaceable Seat
- 2-Hole 2-1/2" to 8-1/2" Installation

#### FINISHES

- PC Polished Chrome

#### STANDARDS

- ASME A112.18.1



#### WARRANTY

- Lifetime Limited Warranty
- Lifetime Residential Warranty
- 5 Year Commercial Warranty

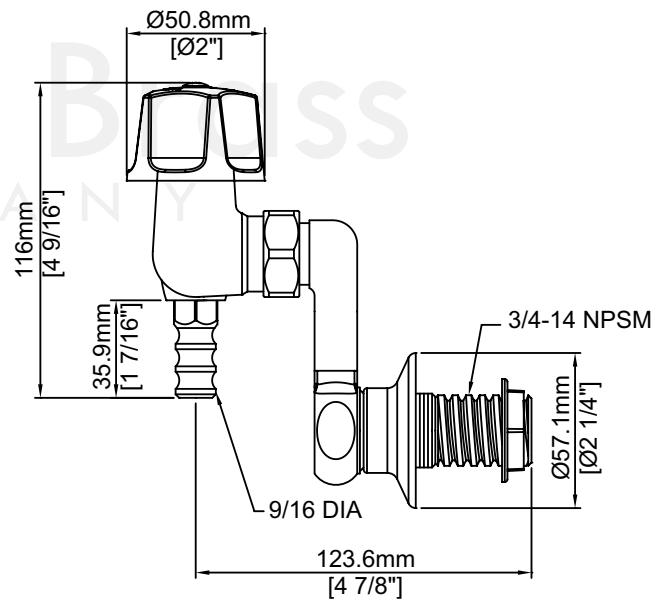
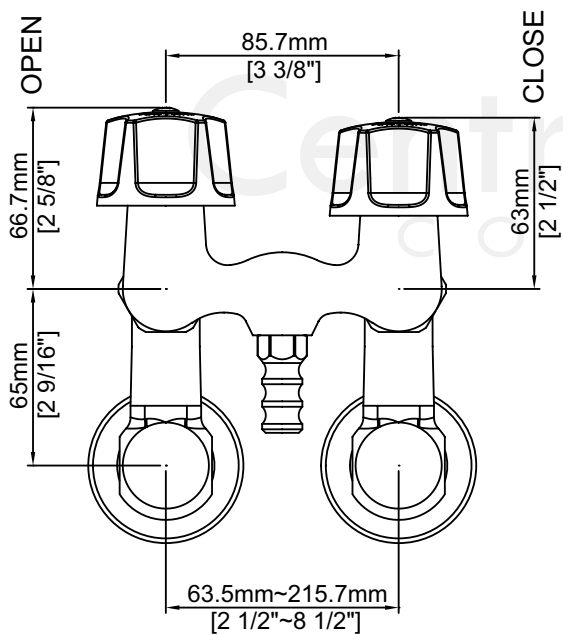
0211/REV. 11 2016

Product Specifications subject to change without notice

Job Name \_\_\_\_\_ Date \_\_\_\_\_  
Model Specified \_\_\_\_\_ QTY \_\_\_\_\_  
Customer/Wholesaler \_\_\_\_\_  
Contractor \_\_\_\_\_  
Architect/Engineer \_\_\_\_\_  
Submitted as Shown \_\_\_\_\_  
Submitted w/ Variations \_\_\_\_\_

## Model# 0211

### Two Handle Leg Tub Faucet



0211/REV. 11 2016

Product Specifications subject to change without notice