

## Model# 0366-HX8VWB

### Drinking Fountain-Wallmount

#### FEATURES & SPECIFICATIONS

- Self-Close Lever Handle
- Brass Round Bowl, Brushed Finish
- 3/8-18 NPS Female Thread W/Wall Bracket
- Replaceable Seat
- Vandal-Resistant Cap

#### FINISHES

- PC Polished Chrome

#### STANDARDS

- ASME A112.18.1
- ANSI / NSF 61, SECTION 9
- CUPC / IAPMO LISTED
- CONTAINS NO MORE THAN 0.25% WEIGHTED AVERAGE LEAD CONTENT



#### WARRANTY

- Lifetime Limited Warranty
- Lifetime Residential Warranty
- 5 Year Commercial Warranty

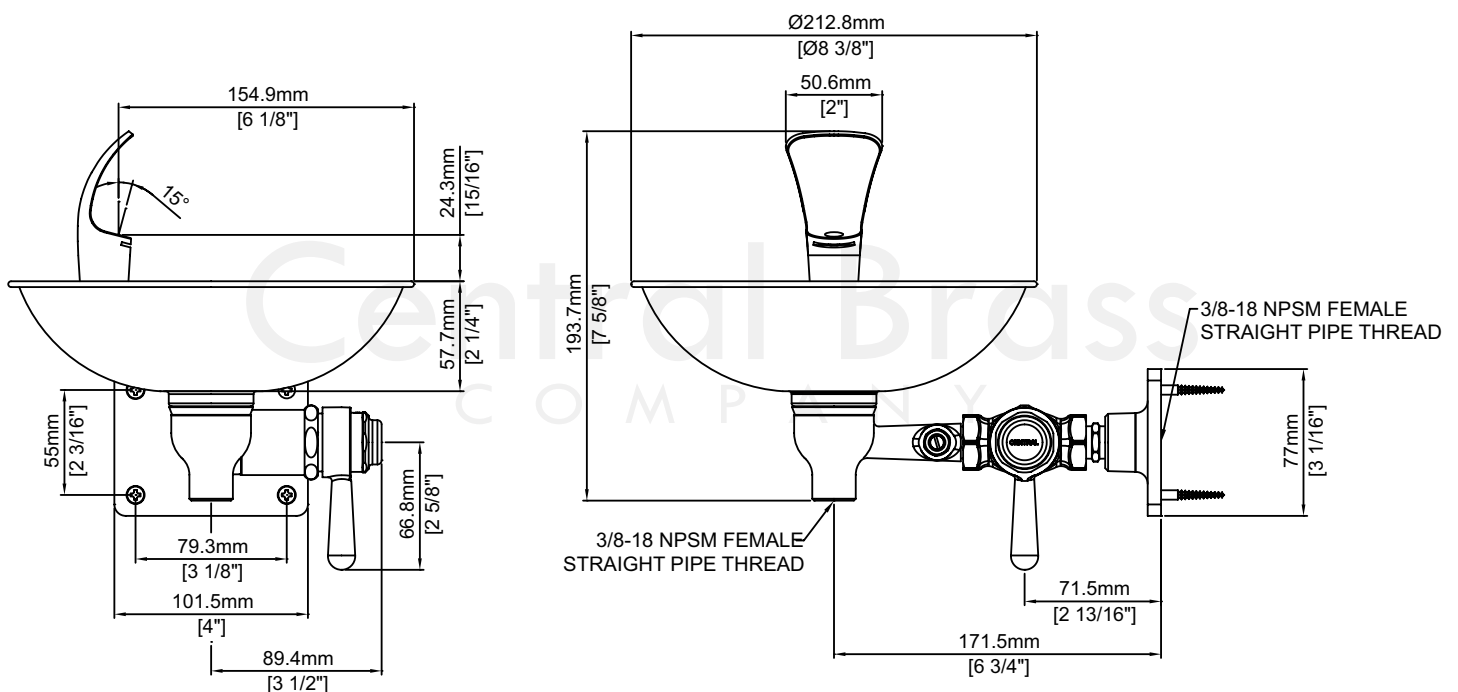
0366-HX8VWB/REV. 11 2016

Product Specifications subject to change without notice

Job Name \_\_\_\_\_ Date \_\_\_\_\_  
Model Specified \_\_\_\_\_ QTY \_\_\_\_\_  
Customer/Wholesaler \_\_\_\_\_  
Contractor \_\_\_\_\_  
Architect/Engineer \_\_\_\_\_  
Submitted as Shown \_\_\_\_\_  
Submitted w/ Variations \_\_\_\_\_

## Model# 0366-HX8VWB

### Drinking Fountain-Wallmount



0366-HX8VWB/REV. 11 2016

Product Specifications subject to change without notice