

Central Brass

C O M P A N Y

A Division of Pioneer Industries, Inc.

Installation Guide

Drinking Fountain-Wallmount:

- 0366-HX8WB
- 0366-HX8WBD
- 0366-HX8
- 0366-HX8D
- 0366-HX8VWB
- 0366-HX8VWBD
- 0366-HX8V
- 0366-HX8VD

This product meets the following standards:

- ASME A112.18.1
- ANSI A117.1
- CUPC / IAPMO LISTED / ADA COMPLIANT
- CONTAINS NO MORE THAN 0.25% WEIGHTED AVERAGE LEAD CONTENT



Thank You For Choosing Central Brass Products

Thank you for purchasing this quality product.

Central Brass products are rigorously tested to provide long service under normal conditions. Prior to installation, familiarize yourself with this products diagram.

Make sure that you have all of the illustrated parts for your Central Brass product before installation.

Care Instructions

Central Brass products are designed and engineered under strict quality standards. The Central Brass Collection of PVD finishes feature a strong and durable surface that will keep your fixture looking exquisite for a lifetime.

To ensure the beautiful appearance of your Central Brass product, please adhere to the following simple care instructions:

- Use clean water to clean the surface of the faucet and dry with a 100% cotton cloth.
- You may also use any non-abrasive wax, along with a soft cotton cloth to brighten the surface and provide future protection of the finish.
- Do not use detergents, harsh cleaners, abrasive cleaners, cloths, and cleaning agents.

CENTRAL BRASS LIMITED WARRANTY

The Central Brass Company provides to the original consumer the following warranties for Genuine Central Brass manufactured products and components used in commercial or residential applications.

Central Brass Company will replace, free of charge, to the original consumer purchaser, any and all parts that prove defective under normal installation, use, and service. This warranty does not cover damage or defects due to normal wear and tear, misuse, abuse, accident, or improper installation. Replacement parts can be obtained from your local dealer or directly from Central Brass Company. Central Brass Company recommends using a certified plumber for all faucet installation and repair. Dated proof of purchase must accompany all warranty claims.

FAUCET WARRANTY

The Faucet, defined as any metal cast, forged, stamped or formed portion of the product, not including moving parts or other components covered under other Central Brass warranties, is warranted against manufacturing defects for the life of the product.

CARTRIDGE WARRANTY

Genuine Central Brass cartridges incorporated in Central Brass products are warranted against manufacturing defects for a period of five (5) years from the date of purchase.

SENSOR FAUCETS

The mechanics of the Central Brass Sensor Faucets are warranted for five (5) years from the date of installation. The electronics and solenoid are warranted for a period of one (1) year from the date of installation.

FINISH WARRANTY - COMMERCIAL

PVD finishes installed in public or commercial areas are warranted not to corrode, tarnish or discolor for a period of five (5) years from date of purchase.

FINISH WARRANTY – RESIDENTIAL

PVD finishes installed in residential use applications are warranted not to corrode, tarnish or discolor for the life of the product.

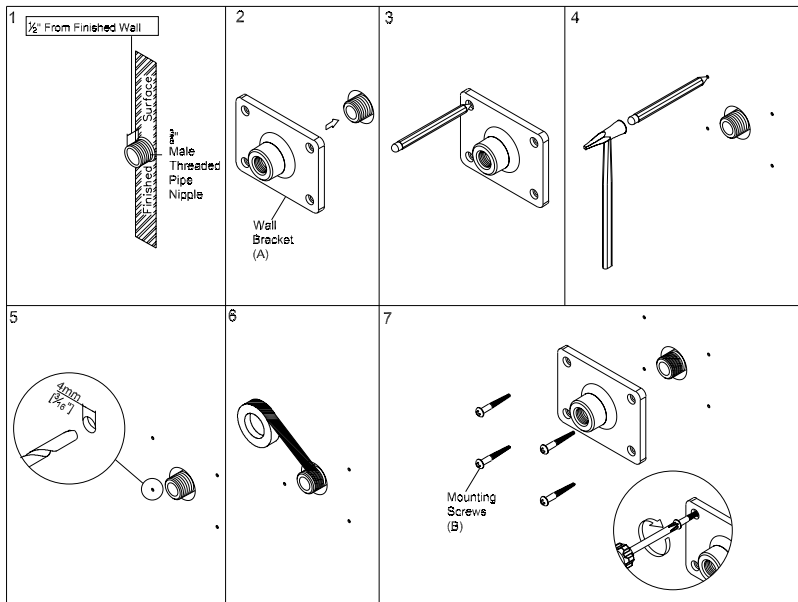
Drinking Fountain Installation

1. Ensure there is minimum 1/2" long 3/8" male threaded pipe connection is available for installation.

For Items with 'WB' Suffix:-

2. Thread wall bracket (A) to 3/8" male threaded pipe connection available on wall.
3. Mark location for four holes on the wall bracket (A). and remove wall bracket (A)
4. Indent those location with the help of hole punch and hammer.
5. Drill Four holes with the help of 3/16" drill bit.
6. Apply teflon tape to 3/8" male threaded pipe nipple extruding from wall.
7. Thread wall bracket to 3/8" male threaded pipe nipple and install four mounting screws (B)

For Items without 'WB' Suffix:- Follow Steps 8 to 15.

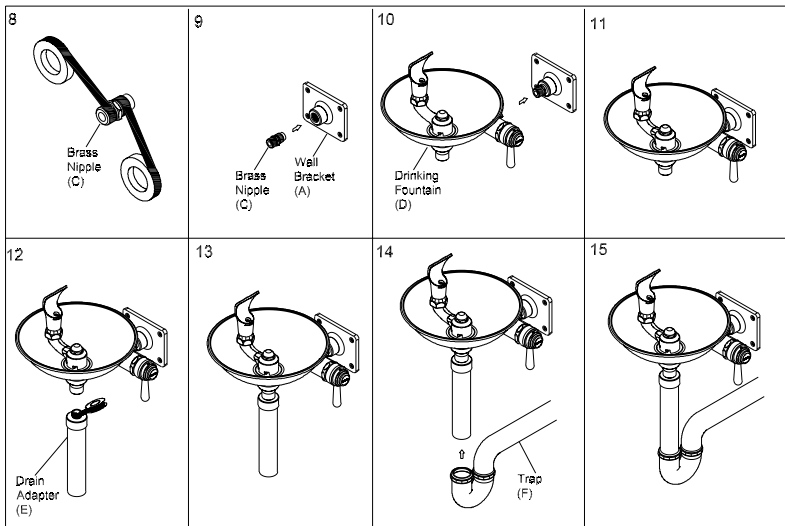


Drinking Fountain Installation

- Apply teflon tape to brass nipple (C).
- Thread brass nipple (C) to wall bracket (A).
- Thread drinking fountain (D) to brass nipple (C).
- Ensure drinking fountain is in leveled position.

For Items with 'D' Suffix:-

- Apply teflon tape to threaded connection of drain adapter (E).
- Thread drain adapter (E) to drinking fountain (D)
- Connect Trap (H) (check manufacturer's instructions for installation)
- Check for any leaks.



For more care information or trouble shooting inquiries about your Central Brass product, please see the contact information on the back page.

Central Brass

C O M P A N Y

A Division of Pioneer Industries, Inc.

6892 Snowville Road | Brecksville, Ohio 44141
Telephone: (800) 321-8630 | (216) 883-0220 | Fax: (800) 338-9414
Hours: M - F, 7:30am to 5:00pm EST
www.centralbrass.com