

Model# 1246

Cast Brass Shower Corner Valve

FEATURES & SPECIFICATIONS

- Canopy Handles
- 1/2-14 NPSF (Dryseal) Female Inlets
- Replaceable Seats

FINISHES

- PC Polished Chrome

STANDARDS

- ASME A112.18.1



WARRANTY

- Lifetime Limited Warranty
- Lifetime Residential Warranty
- 5 Year Commercial Warranty

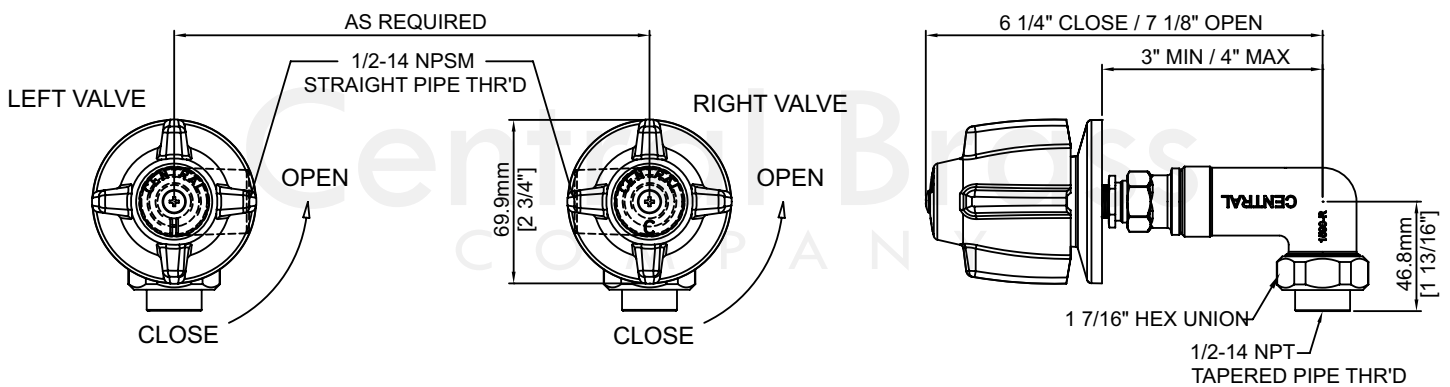
1246/REV. 11 2016

Product Specifications subject to change without notice

Job Name _____ Date _____
Model Specified _____ QTY _____
Customer/Wholesaler _____
Contractor _____
Architect/Engineer _____
Submitted as Shown _____
Submitted w/ Variations _____

Model# 1246

Cast Brass Shower Corner Valve



1246/REV. 11 2016

Product Specifications subject to change without notice