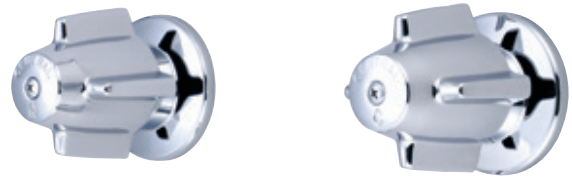


Model# 80905

Two Handle Valve Set

FEATURES & SPECIFICATIONS

- Canopy Handles
- 1/2" I.P.S. or 1/2" nominal copper Union Inlets
- Ceramic Disc Cartridges
- 8" Centers
- Built-in Transfer Valve, Brass Plug Included
- Built-in Transfer Valve, Brass Plug Included



FINISHES

- PC Polished Chrome

STANDARDS

- ASME A112.18.1

WARRANTY

- Lifetime Limited Warranty
- Lifetime Residential Warranty
- 5 Year Commercial Warranty

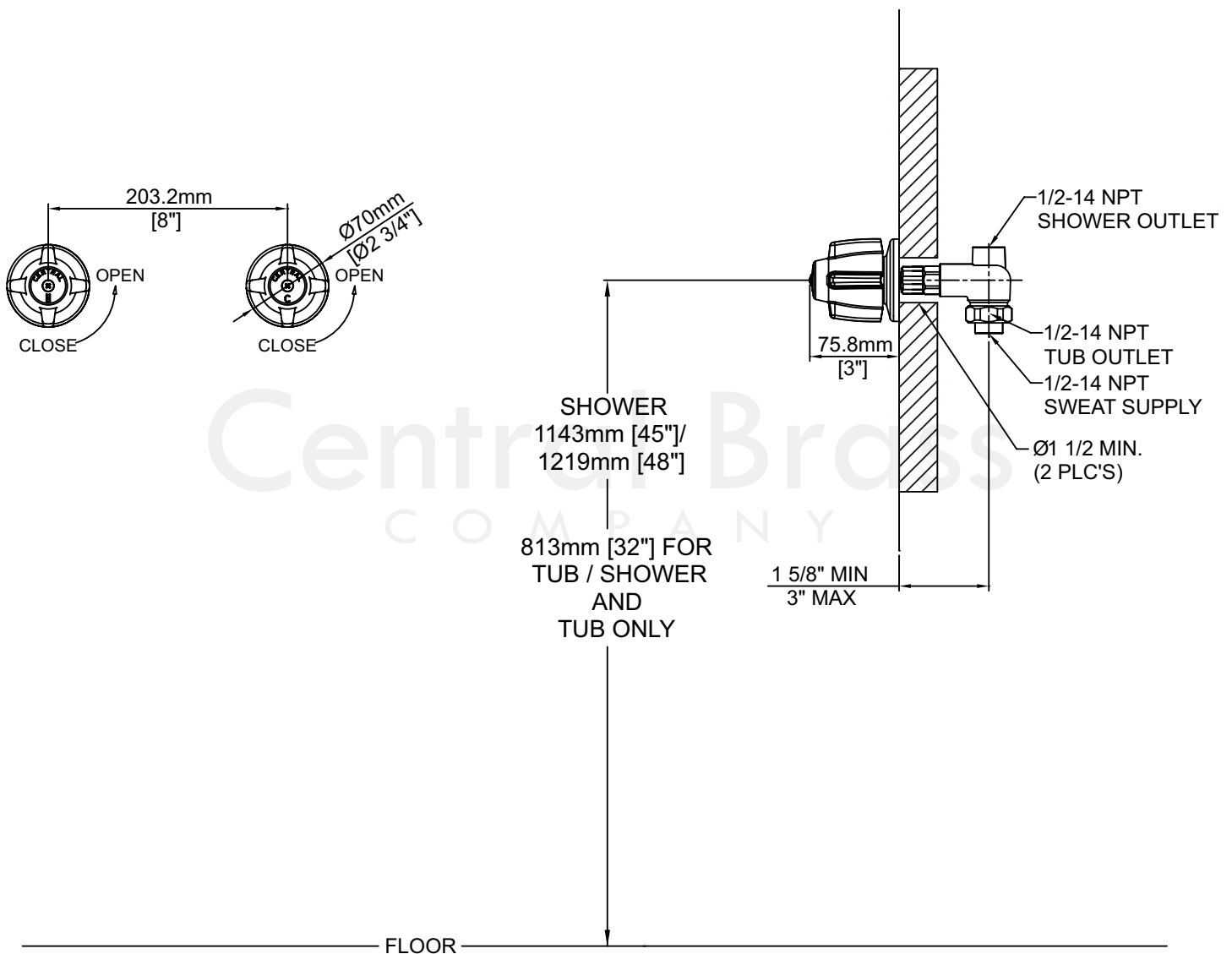
80905/REV. 11 2016

Product Specifications subject to change without notice

Job Name _____ Date _____
Model Specified _____ QTY _____
Customer/Wholesaler _____
Contractor _____
Architect/Engineer _____
Submitted as Shown _____
Submitted w/ Variations _____

Model# 80905

Two Handle Valve Set



80905/REV. 11 2016

Product Specifications subject to change without notice