

Model# 6086-Z

Two Handle Tub Set

FEATURES & SPECIFICATIONS

- Canopy Handles
- 1/2" I.P.S. or 1/2" nominal copper Union Inlets
- Replaceable Seats
- 6" Centers
- 1/2" IPS & Slip-on Combo Tub SpoutBuilt-in Transfer Valve, Brass Plug Included
- Built-in Transfer Valve, Brass Plug Included

FINISHES

- PC Polished Chrome

STANDARDS

- ASME A112.18.1



WARRANTY

- Lifetime Limited Warranty
- Lifetime Residential Warranty
- 5 Year Commercial Warranty

6086-Z/REV. 11 2016

Product Specifications subject to change without notice

Job Name _____ Date _____

Model Specified _____ QTY _____

Customer/Wholesaler _____

Contractor _____

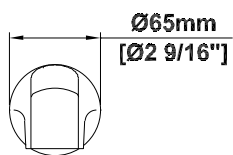
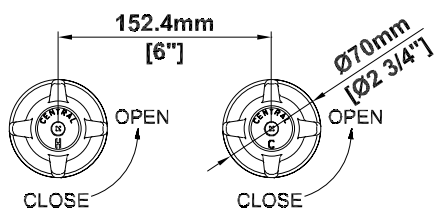
Architect/Engineer _____

Submitted as Shown _____

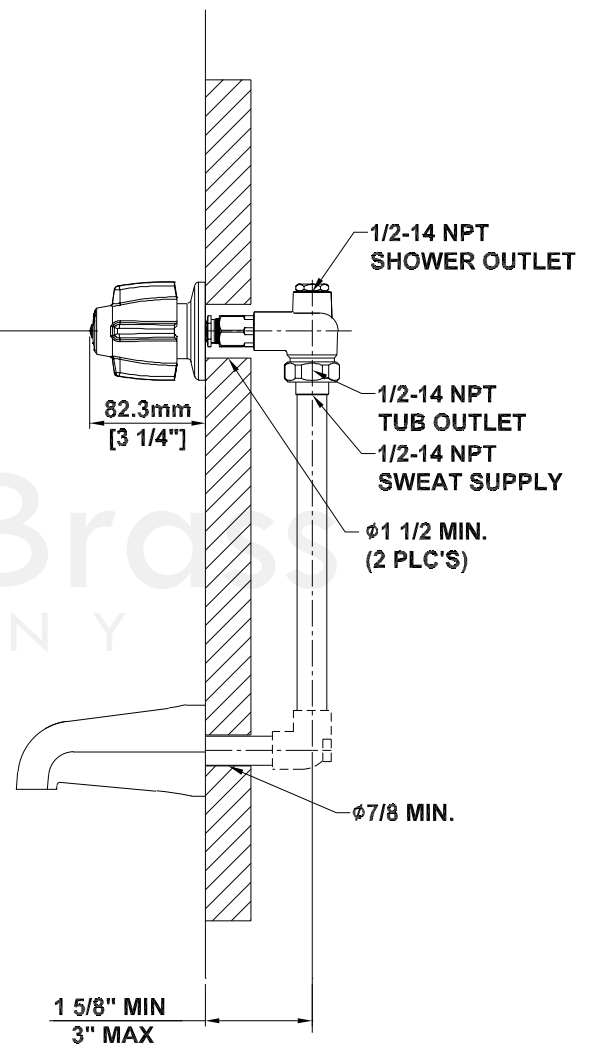
Submitted w/ Variations _____

Model# 6086-Z

Two Handle Tub Set



813mm [32"] FOR TUB ONLY



FLOOR