

# TopMountTrack - Double/Triple

**CS TrackSystems** are an innovative range of track systems designed for a multitude of sliding doorway applications.

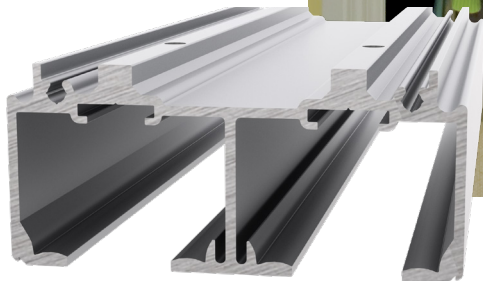
**CS TopMount Track** is a smooth running low profile track system suitable for incorporating into pocket door frame and bypass wardrobe assemblies.

The addition of the TopMount Track and CS carriage system allows you to transform a standard pocket into a luxury item. This system is ideal for use in applications where longevity of use and smooth operation are required.

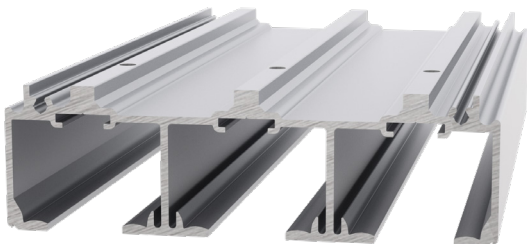
TopMount Track is available as standard in a double or triple track configuration.



*Double TopMount Track wardrobe door system.*



*Double TopMount Track (1-3/8" door option)*

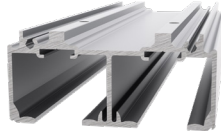
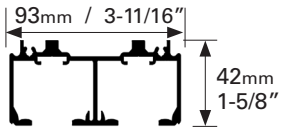


*Triple TopMount Track (1-3/8" door option)*

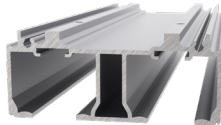
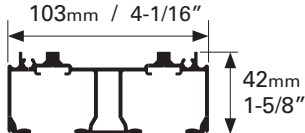
# CS TopMountTrack - Double/Triple Track

## Technical Information

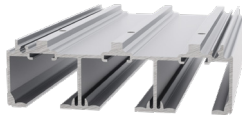
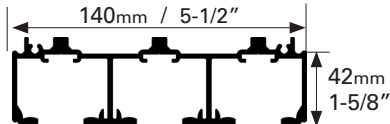
### Double Track - 1-3/8" doors



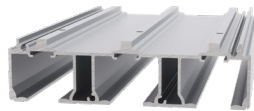
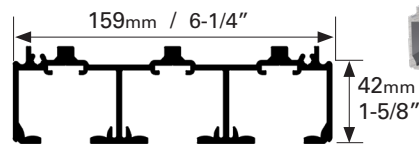
### 1-3/4" doors



### Triple Track - 1-3/8" doors



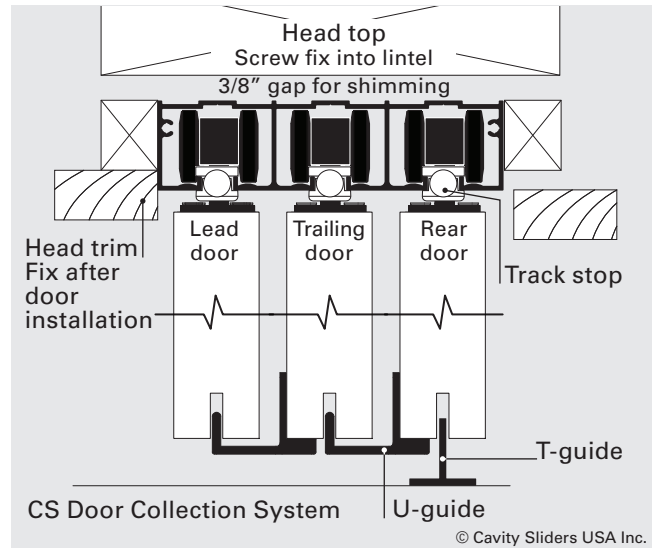
### 1-3/4" doors



Track	Double	Triple
<b>Finish:</b>	Mill-finish	Mill-finish
<b>Recommended Door Thickness:</b>	35 or 45mm (1-3/8" or 1-3/4")	35 or 45mm (1-3/8" or 1-3/4")*
<b>Max Weight/door:</b>	240kg (500lb)	240kg (500lb)
<b>Carriage Pack:</b>	M6 or M8	M6 or M8

\*For thicker doors, please contact us for suitable options

## Suggested Fixing Detail



## Door Collection System

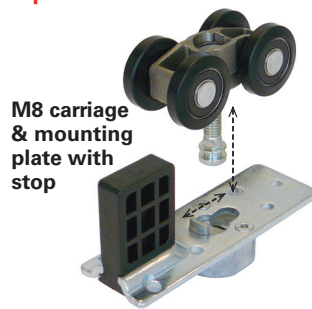
Where multiple doors are required to slide in conjunction with one another, the **CS Door Collection System** ensures a smooth running telescopic system (*see separate brochure*). The doors are connected so that there is no need for floor tracks or guides through the opening.

## How to Order

1. Choose track configuration (double or triple)
2. Specify door thickness
3. Specify track length (available in 6, 8, 12 and 24' pre-cut lengths)
4. Choose a carriage pack (one per door) - refer to *Carriage Packs page*
  - a) M6 (200lb)
  - b) M8 (500lb) (includes carriages, mounting plates, T-Guide, fixing screws, adjusting wrench and installation instructions)
  - c) **CS Door Collection System** (includes M6 or M8 carriage pack plus door collection system for 2 door or 3 door setup)

## Design Features & Options

- Tracks can be used for bypass and collection systems.
- Tracks can be configured to suit Bi-Parting door set-ups, including CornerMeeting detail.
- Available in 6', 8', 12' and 24' pre-cut lengths. Custom lengths can be cut to order.
- Heavy duty one-piece extruded aluminum track.
- Pre-machined mounting holes.



- CarriSnap™ quick release system allows the door to be removed easily from track; no need to unscrew anything and lose door height adjustment.

[www.cavitysliders.com](http://www.cavitysliders.com)

High quality products designed in New Zealand



T (888) 466 0030  
F (310) 769 5824  
E [info@cavitysliders.com](mailto:info@cavitysliders.com)

Cavity Sliders USA Inc.

548 Finney Ct  
Gardena  
CA 90248



**CavitySliders**  
The Pocket Door Experts

# CS Door Collection System

The **CS Door Collection System** is used in conjunction with our **FullHeight** or **TopMount** double or triple track to create an easy to operate telescopic door collection system.

The doors are connected so that there is no need for floor tracks or guides through the opening.

## Design Features & Options

- ▮ Pack includes: pick-up extrusion, guides and fixing screws to allow one door to pick up the next.
- ▮ Available for double or triple door set-ups - simply choose your number of doors and carriage type (**M6** or **M8**).
- ▮ Pickup extrusion comes standard as 114" length. Can be cut to required door height.
- ▮ You will also need to choose double or triple FH-CeilingMountTrack or CS TopMountTrack of the required length.
- ▮ Suitable for 1-3/8" to 1-3/4" thick doors. **For thicker doors, please inquire about suitable options.**

## Pack Components

Kit includes carriages, mounting plates, adjusting wrench, extrusions, guides and fixing screws to allow one door to pick up the next.

### 2 Door M6 (200lb) Pickup Pack



### 3 Door M6 (200lb) Pickup Pack



### 2 Door M8 (500lb) Pickup Pack

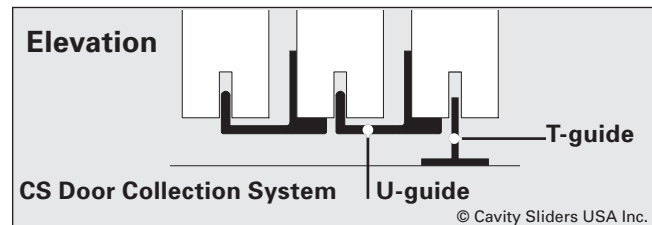
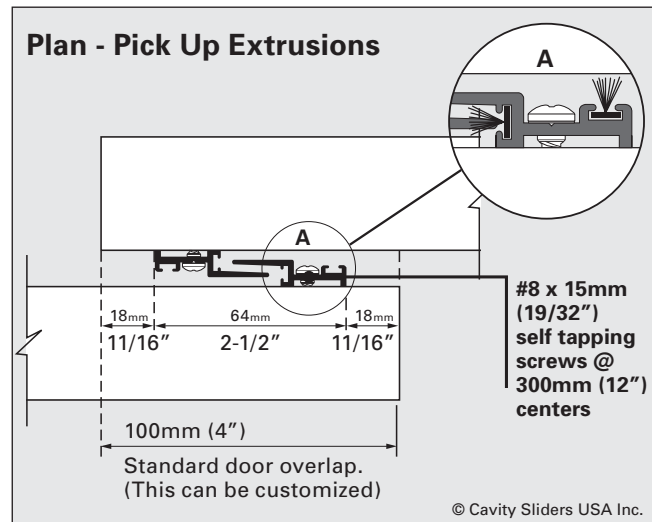


### 3 Door M8 (500lb) Pickup Pack



Collection system fixed to doors (not visible when installation is complete).

## Technical Information



## How to Order

1. Choose number of doors (double door or triple door kit)
2. Choose a carriage type: **M6** (200lb) or **M8** (500lb)

**You will also require:**

- CS FH-CeilingMountTrack (double or triple) or
- CS TopMountTrack (double or triple)

© All copyright and other property in this document is reserved by Cavity Sliders USA Inc. Details and specifications are subject to change without notice. Whilst all care is taken to ensure the accuracy of all information, no responsibility will be accepted for any errors or omissions. CS DOOR COLLECTION SYSTEM (O.D. 1986). Patent pending. 60995 - 07.2019

[www.cavitysliders.com](http://www.cavitysliders.com)

High quality products designed in New Zealand



T (888) 466 0030  
 F (310) 769 5824  
 E [info@cavitysliders.com](mailto:info@cavitysliders.com)

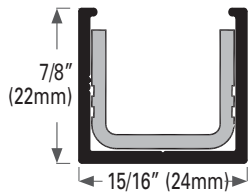
Cavity Sliders USA Inc.

548 Finney Ct  
 Gardena  
 CA 90248

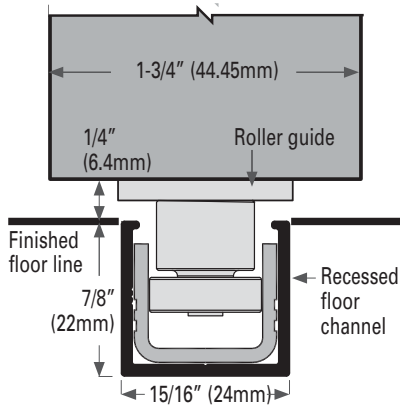


**CavitySliders**  
 The Pocket Door Experts

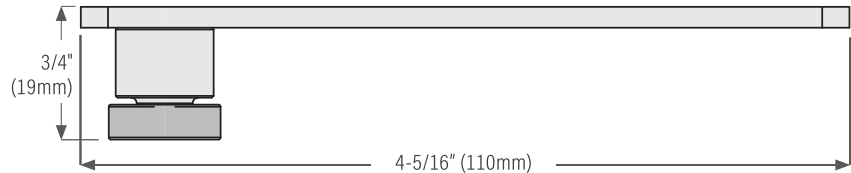
# CS Floor Channel & Bearing Guide System



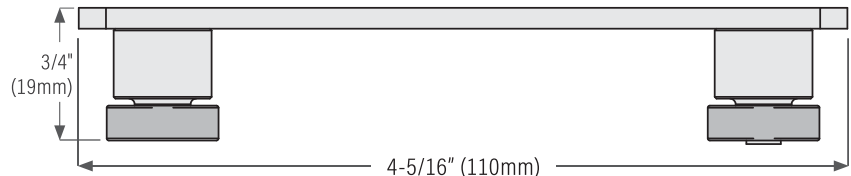
Floor channel, aluminum bronze anodized with pvc insert.



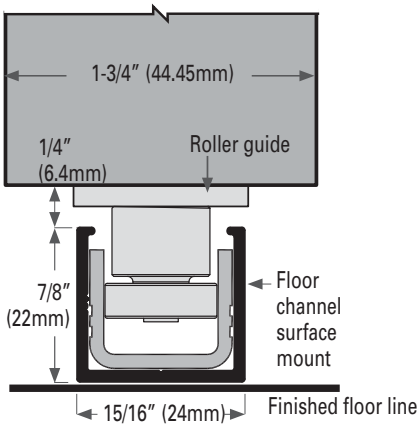
Bottom guide, ball bearing roller (stainless steel) for recessed floor channel



Ball bearing single roller, stainless steel



Ball bearing double roller, stainless steel



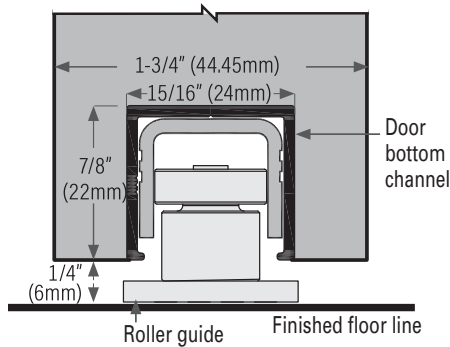
Bottom guide, ball bearing roller (stainless steel) for surface mount floor channel



Ball bearing, double roller, stainless steel



Ball bearing, single roller, stainless steel



Bottom guide, ball bearing roller (stainless steel) for door bottom channel

[www.cavitysliders.com](http://www.cavitysliders.com)

High quality products designed in New Zealand



T (888) 466 0030  
F (310) 769 5824  
E [info@cavitysliders.com](mailto:info@cavitysliders.com)

Cavity Sliders USA Inc.

548 Finney Ct  
Gardena  
CA 90248



**CavitySliders**  
The Pocket Door Experts

© All copyright and other property in this document is reserved by Cavity Sliders USA Inc. Details and specifications are subject to change without notice. Whilst all care is taken to ensure the accuracy of all information, no responsibility will be accepted for any errors or omissions. CS FLOOR CHANNEL & BEARING GUIDE SYSTEM (O.D. 1986). 61303 - 03.2019