


CaviTrack™

CS TrackSystems are an innovative range of track systems designed for a multitude of sliding doorway applications.

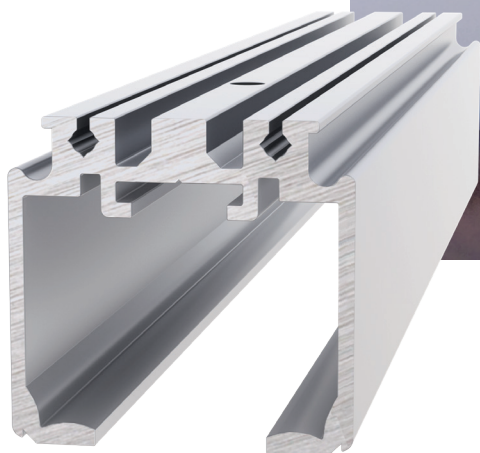
CS CaviTrack is a smooth running low profile track system. Its versatility makes it popular for a range of opening types including pocket, barn, partition and multi-sliding applications. The clip on fascia is suitable for use in barn door and partition applications. CS CaviTrack is ideal where longevity of use and smooth operation are required.

The CaviTrack can be upgraded to SofStop® soft close. This is suitable for areas where quiet is required, such as bedrooms, offices and patient rooms.



AVAILABLE WITH:
 SofStop® Soft Close / Soft Open

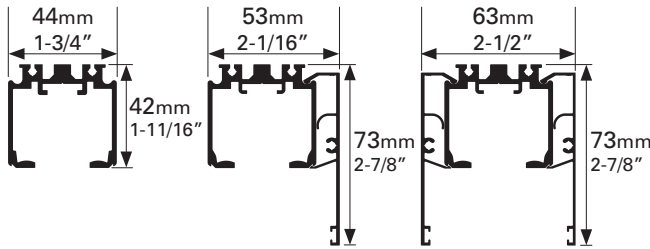
CS CaviTrack in a heavy duty pocket frame.



CS CaviTrack

 TrackSystems

Technical Information



Standard Features & Options

- ✓ Suitable for incorporating into pocket frame assemblies for a smooth running high end system.
- ✓ 304 stainless steel components available for corrosive environments.
- ✓ Track can be configured to suit Bi-Parting or CornerMeeting set-ups.
- ✓ Clip-on fascia available. Standard finishes: Clear or Bronze Anodized. Inquire about custom colors.

Our products come with a number of unique features:

- 1 Heavy duty one-piece extruded aluminum track.
- 2 Pre-machined mounting holes.
- 3 Minimal clearance means the carriages/wheels cannot jump off the track or jam.
- 4 Large diameter wheels with precision ground bearings make for smooth running.
- 5 Radiused track reduces friction and allows dust to be pushed into the gutters so the door always slides smoothly.
- 6 M8 body made from cast stainless steel for strength and reliability. 4-wheel carriages are standard on all doors over 200lb.
- 7 **CarriSnap™** quick release system allows the door to be removed easily from the track; no need to unscrew anything and lose door height adjustment.



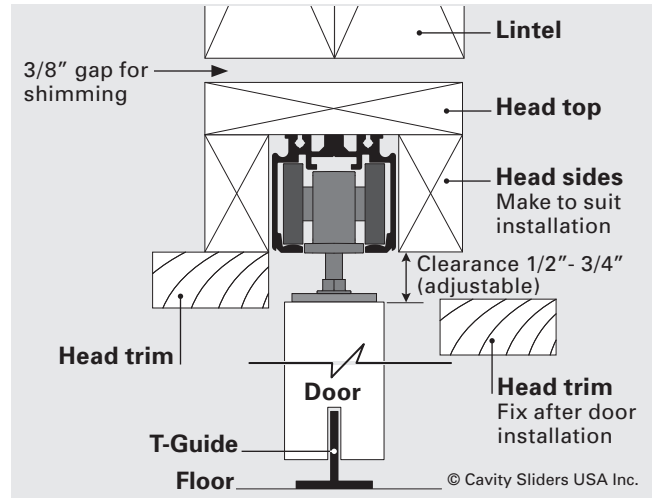
CaviTrack with M6 carriage



M8 carriage & mounting plate with stop

- Track Finish:** Clear anodized
- Fascia Finish:** Clear or bronze anodized
- Door Thickness:** No fascia: No limit
With fascia: 35-45mm (1-3/8" - 1-3/4")
- Max Door Weight:** Standard: 240kg (500lb)
SofStop: 120kg (264lb)
- Carriage Pack:** M6/M8/SofStop

Suggested Assembly Detail



SofStop® Features & Options

- ✓ High quality mechanism independently tested to 100,000 cycles.
- ✓ Soft close mechanism is hidden from sight, yet remains fully serviceable.

SofStop® Single	Minimum Door Width	
	No stop	1 Stop
0 - 176 lb (80kg)	25" (635mm)	28" (711mm)
176 - 264 lb (120kg)	28" (711mm)	31" (787mm)
SofStop® Twin	No stop	1 Stop
	0 - 176 lb (80kg)	33" (840mm)

How to Order

Refer to Carriage Packs page for more information

1. **Specify track length**
Available in 6', 8', 12 and 24' pre-cut lengths or can be cut down to specified length on request.
2. **Specify door weight & width** (see options)
3. **Choose a carriage pack** (one per door) - refer to Carriage Packs page
M6 (200lb), M8 (500lb) or SofStop
4. **Fascia & End Caps** (optional) - Specify finish.