

Standard Components

M6 Carriage

(up to 200lb per pair)



M8 Carriage

(up to 500lb per pair)



M10 Carriage

(up to 1100lb per pair)



Carriages

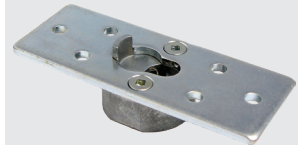
- Large diameter wheels with precision ground bearings ensure smooth running and longevity.
- Self centering hanger bolt ensures the door hangs plumb.
- High performance nylon tires.
- Both M6 and M8 carriages are made to fit any of our standard track profiles.
- Hanger bolts allow for 5/16" vertical height adjustment using the wrench provided

Mounting Plates

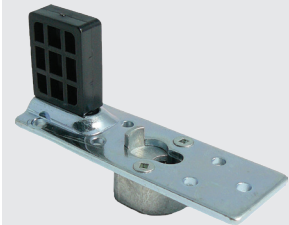
- CarriSnap™** quick release system allows the door to be installed or removed easily from the carriage without altering door height adjustment.
- Plastic stop on the mounting plate hits on the track stop in the track (not the carriage body like other products on the market).

Components

M6/M8 Mounting Plate



M6/M8 Mounting Plate with Stop



Track Stop



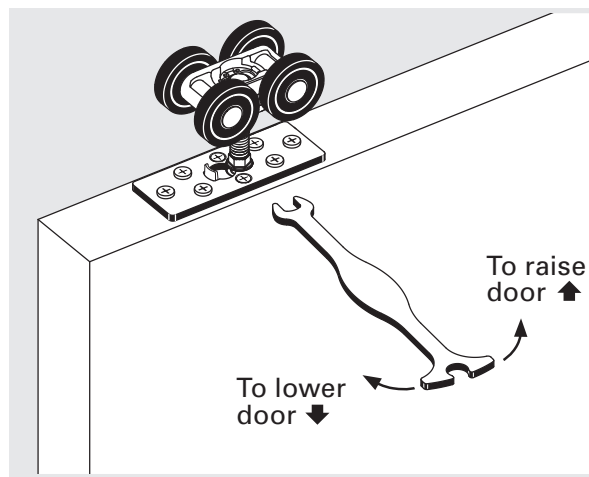
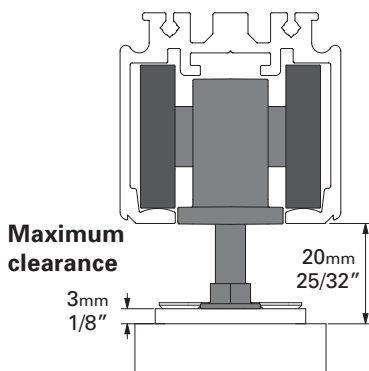
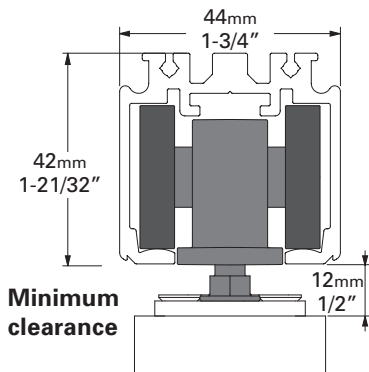
Adjusting Wrench



Black Plastic T Guide 23mm (7/8")



Carriage Adjustment



Use adjusting wrench supplied to adjust door clearance