

# Components

**M6 Carriage**  
(up to 200lb per pair)



**M8 Carriage**  
(up to 500lb per pair)



## Carriages

- Large diameter wheels with precision ground bearings ensure smooth running and longevity.
- Self centering hanger bolt ensures the door hangs plumb.
- High performance nylon tires.
- Both M6 and M8 carriages are made to fit any of our standard track profiles.
- Hanger bolts allow for 5/16" vertical height adjustment using the wrench provided

## Mounting Plates

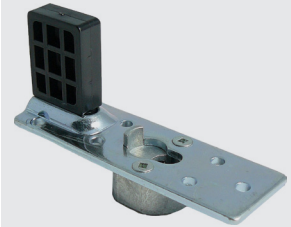
- CarriSnap™** quick release system allows the door to be installed or removed easily from the carriage without altering door height adjustment.
- Plastic stop on the mounting plate hits on the track stop in the track (not the carriage body like other products on the market).

## Components

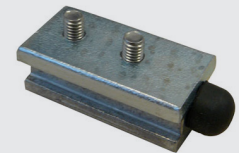
**M6/M8 Mounting Plate**



**M6/M8 Mounting Plate with Stop**



**Track Stop**



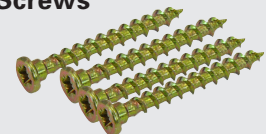
**Adjusting Wrench**



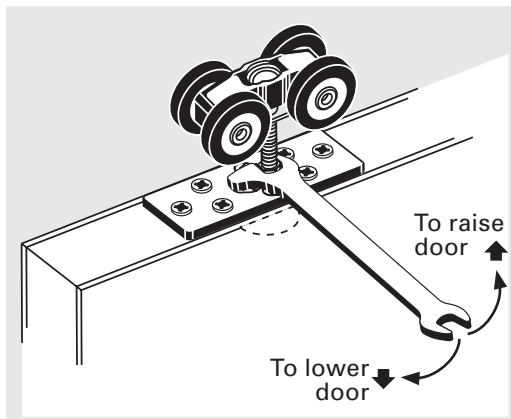
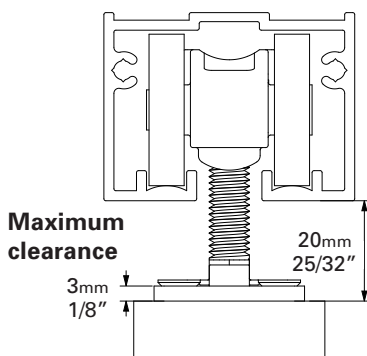
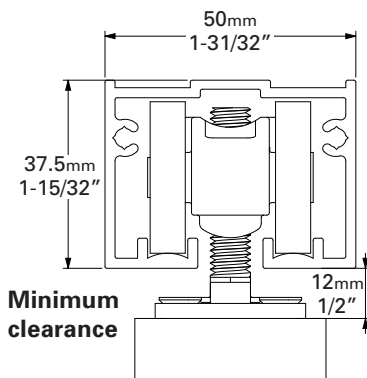
**Black Plastic T Guide**  
23mm (7/8")



**Mounting Plate Screws**



## Carriage Adjustment



Use adjusting wrench supplied to adjust door clearance