

PocketTrack

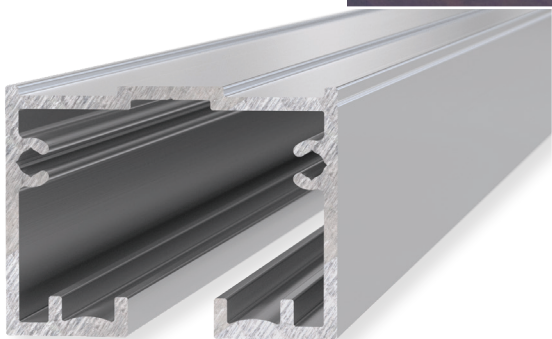
CS TrackSystems are an innovative range of track systems designed for a multitude of sliding doorway applications.

CS Pocket Track is a smooth running low profile track system suitable for incorporating into pocket door frame assemblies.

The addition of the Pocket Track and CS carriage system allows you to transform a standard pocket into a luxury item. This system is ideal for use in applications where longevity of use and smooth operation are required.



CS Pocket Track in a heavy duty pocket frame.

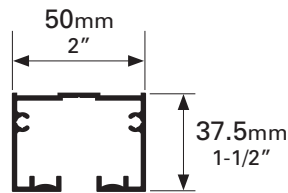


CS Pocket Track

Design Features & Options

- █ Suitable for incorporating into pocket frame assemblies for a smooth running high end pocket system.
- █ Track can be configured to suit Bi-Parting door set-ups, including CornerMeeting detail.
- █ Available in 6', 8', 12' and 24' pre-cut lengths. Custom lengths can be cut to order.

Technical Information

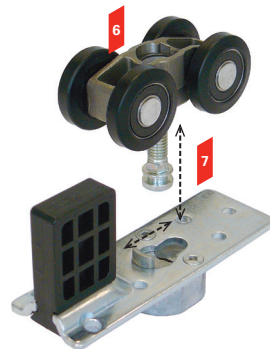
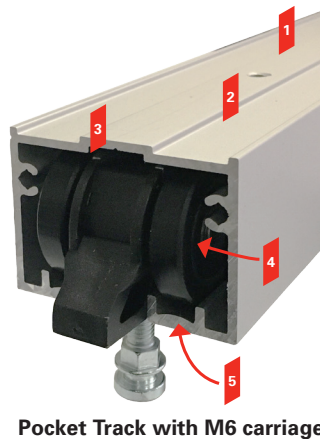


Finish:	Mill finish
Max Door Thickness:	No limit
Max Door Weight:	240kg (500lb)
Carriage Pack:	M6 or M8

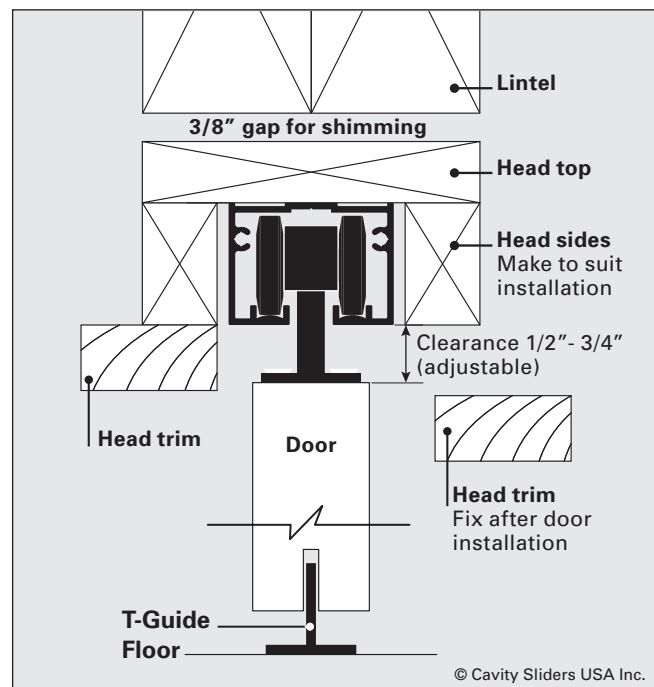
Standard CS Track Features

Our engineers focus on constantly developing new products and refining existing ones. That's why our products come with a number of unique features:

- █ **1** Heavy duty one-piece extruded aluminum track.
- █ **2** Pre-machined mounting holes.
- █ **3** Minimal clearance means carriages/wheels cannot jump off track or jam.
- █ **4** Large diameter wheels with precision ground bearings make for smooth running.
- █ **5** Radiused track reduces friction and allows dust to be pushed into the gutters so the door always slides smoothly.
- █ **6** M8 body made from cast stainless steel for strength and reliability. 4-wheel carriages are standard on all doors over 200lb.
- █ **7** CarriSnap™ quick release system allows the door to be removed easily from track; no need to unscrew anything and lose door height adjustment.



Suggested Assembly Detail



How to Order

- 1. Specify track length**
 Available in 6, 8, 12 and 24' pre-cut lengths or can be cut down to specified length on request.
- 2. Choose a carriage pack (one per door)**
 - refer to **Carriage Packs** page

M6 (200lb) or **M8** (500lb)
 (includes carriages, mounting plates, T-Guide, fixing screws, adjusting wrench and installation instructions)