

CL400[®] Magnetic

The **CAVILOCK[®] CL400 Magnetic** is a range of modern architectural hardware for sliding doors. Configurations include Passage, Privacy, Bi-Parting and Key Locking.

This high quality, wrap around handle is easy to fit, requiring no complicated mortise cutout.

Available with a choice of finish options, the CL400 Magnetic is suitable for residential and light commercial use.



Watch the CL400 Magnetic video on YouTube



CL400 Magnetic Privacy, Satin Nickel



CL400 Magnetic Key Locking, Oil Rubbed Bronze

 **CaviLock[®]**
Quality Sliding Door Hardware

Architectural styling with a wide range of configurations and finish options available

No on site alteration of handle is required

Reliable, high quality components

Suitable for pocket or barn slider style doors*

Step by step installation instructions with detailed diagrams and templates are included

Can be used to upgrade existing hardware by retrofitting over smaller box cutout

Positive grip for heavy doors

Simple cutout ensures quick fitting

Front edge incorporates a finger hole to retrieve door from the pocket

Moving parts sit flush until the door closes to minimize wear

Patented magnetic catch and plunger action[†] produces a positive hold close without the need to activate the snib

Hidden fixing screws - only three small screws showing on the face plate

Available with a choice of face plate widths to suit doors from 1-3/8" to 2-1/4" thick

Striker can be adjusted 3/32" up or down once installed

Striker sits flush with the closing jamb



[†] US Patent No. 10036185

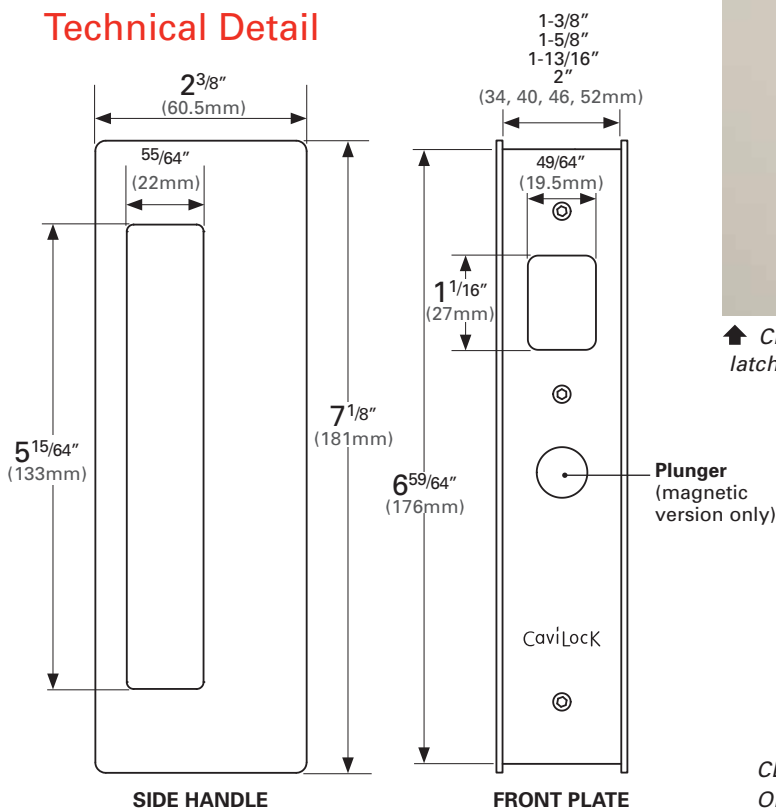
* Not suitable where high security is a requirement.

The CL400 is a stylish architectural option for passage handles. Designed to complement the privacy and locking range, this handle features a positive hold close action to ensure the door doesn't bounce off the closing jamb.

Design Features & Options

- ▮ Passage hardware matches Privacy and Key Locking hardware.
- ▮ Magnetic latch ensures door doesn't roll away from the closing jamb.
- ▮ Door slides flush back into the pocket.
- ▮ Available in a range of finishes.
- ▮ Suits doors from 1-3/8" to 2-1/4" thick.
- ▮ Non-magnetic version also available.

Technical Detail



CL400 Passage (non latching). Satin Chrome finish.



CL400 Passage (latching). Oil Rubbed Bronze finish.

Selection Procedure To order, ensure you have the following information ready:

Function	Door thickness	Finish
Passage (Non Latching)	34 - 40 mm (1-3/8" to 1-9/16")	Bright Chrome
Passage (Mag Latching)	40 - 46 mm (1-5/8" to 1-3/4")	Satin Chrome
	46 - 52 mm (1-13/16" to 2")	Oil Rubbed Bronze
	52 - 58 mm (2-1/16" to 2-1/4")	Satin Nickel
		Matte Black

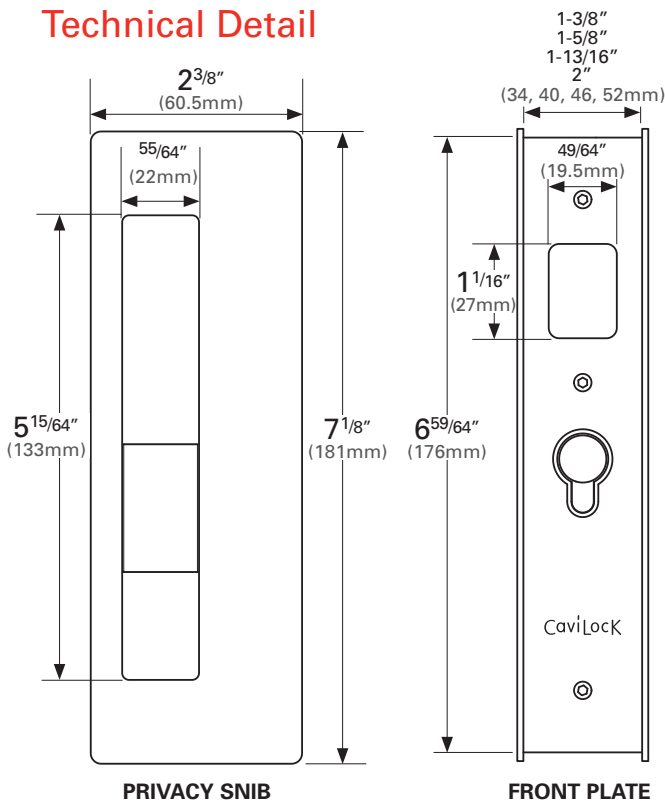
Dimensions shown in inches (and millimeters).

The CL400 Privacy option matches the other configurations in the range. The magnetic latching feature ensures the door doesn't roll open - even if the snib is not engaged.

Design Features & Options

- Options include: Snib Both Sides, Snib One Side, or Snib/Emergency.
- Privacy hardware matches Passage and Key Locking hardware.
- Door slides flush back into the pocket.
- Magnetic latch ensures door doesn't roll away from the closing jamb.
- Moving parts sit flush until the door closes to minimize wear.
- Available in a range of finishes.
- Suits doors from 1-3/8" to 2-1/4" thick.

Technical Detail



CL400 Privacy Snib/ Snib option. Satin Nickel finish.



Emergency Release can be activated with a pen in an emergency.

CL400 Privacy - Emergency Release/Snib option. Matte Chrome finish.



Selection Procedure

To order, ensure you have the following information ready:

Function (see handing)	Door thickness	Finish	Handing Configuration										
Snib/Snib	1-3/8" to 1-9/16"	Bright Chrome	Handing is determined at time of manufacture and cannot be altered on site. Careful selection of handing options is required at time of order. See diagram for determining handing of functions.										
Snib/Emerg.	1-5/8" to 1-3/4"	Satin Chrome											
Snib One Side	1-13/16" to 2"	Oil Rubbed Bronze	<table border="0"> <tr> <td>LH</td> <td>RH</td> <td rowspan="3">Stand looking into the pocket as shown</td> </tr> <tr> <td>Snib</td> <td>Snib</td> </tr> <tr> <td>Blank</td> <td>Blank</td> </tr> <tr> <td>Emerg.</td> <td>Emerg.</td> <td> </td> </tr> </table>	LH	RH	Stand looking into the pocket as shown	Snib	Snib	Blank	Blank	Emerg.	Emerg.	
	LH	RH		Stand looking into the pocket as shown									
Snib	Snib												
Blank	Blank												
Emerg.	Emerg.												
	2-1/16" to 2-1/4"	Satin Nickel											
		Matte Black											

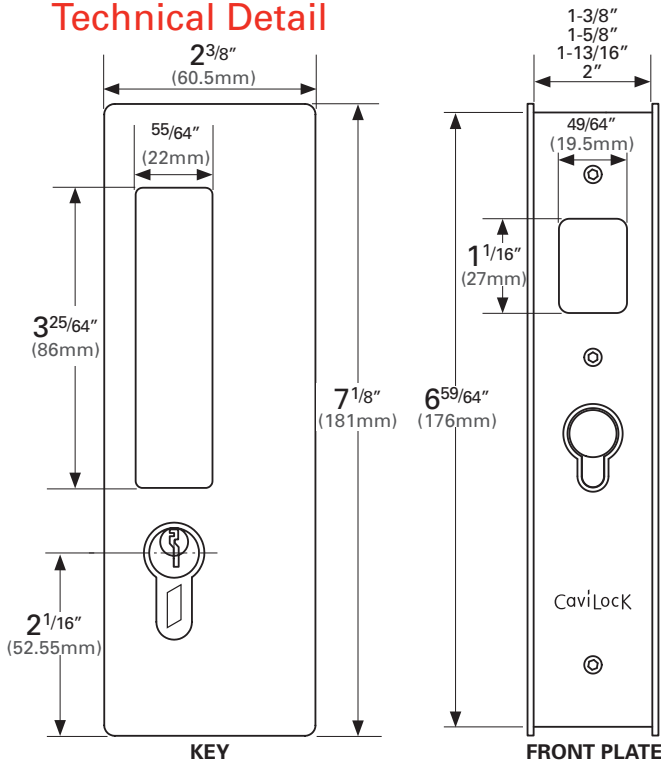
The CL400 Key Locking option is suitable for residential or light commercial use in internal situations where medium security is required.

It incorporates a single or double Euro Profile cylinder with Schlage C Keyway. All Key Locking handles come with a raised shroud as standard for increased security.*

Design Features & Options

- Options include:
 - Key/Snib, Key/Key or Key one side.
 - Raised shroud included as standard for increased security.
 - Key Locking hardware matches Passage and Privacy hardware.
 - Door slides flush back into the pocket.
- Magnetic latch ensures door doesn't roll away from the closing jamb.
- Moving parts sit flush until the door closes to minimize wear.
- Available in a range of finishes.
- Suits doors from 1-3/8" to 2-1/4" thick.

Technical Detail



CL400 Key/Key option. Satin Nickel finish.



CL400 Key/Snib option. Oil Rubbed Bronze finish.

Selection Procedure

To order, ensure you have the following information ready:

Function (see handing)	Door thickness	Finish	Handing Configuration							
Key/Snib	1-3/8" to 1-9/16"	Bright Chrome	Handing is determined at time of manufacture and cannot be altered on site. Careful selection of handing options is required at time of order. See diagram for determining handing of functions.							
Key/Key	1-5/8" to 1-3/4"	Satin Chrome								
Key One Side	1-13/16" to 2"	Oil Rubbed Bronze								
	2-1/16" to 2-1/4"	Satin Nickel								
		Matte Black								
		<table border="0"> <tr> <td>LH</td> <td>RH</td> </tr> <tr> <td><input type="checkbox"/> Key</td> <td><input type="checkbox"/> Key</td> </tr> <tr> <td><input type="checkbox"/> Snib</td> <td><input type="checkbox"/> Snib</td> </tr> <tr> <td><input type="checkbox"/> Blank</td> <td><input type="checkbox"/> Blank</td> </tr> </table>	LH	RH	<input type="checkbox"/> Key	<input type="checkbox"/> Key	<input type="checkbox"/> Snib	<input type="checkbox"/> Snib	<input type="checkbox"/> Blank	<input type="checkbox"/> Blank
LH	RH									
<input type="checkbox"/> Key	<input type="checkbox"/> Key									
<input type="checkbox"/> Snib	<input type="checkbox"/> Snib									
<input type="checkbox"/> Blank	<input type="checkbox"/> Blank									
			Stand looking into the pocket as shown 							

Dimensions shown in inches (and millimeters). * Not suitable where high security is a requirement

Bi-Parting (Double Door) Set

CL400[®] Magnetic

The CL400 Bi-Parting set is suitable for use where two doors meet in the middle. Passage, Privacy and Key Locking configurations are available.

The positive hold close action brings the doors together smoothly and holds them together until ready to open.

Note: Privacy and Key Locking configurations are not suitable as a high security option when used in a Bi-Parting door setup.

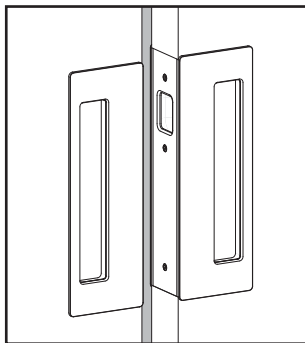
Design Features & Options

- Options include Passage, Privacy and Key Locking.
- Bi-Parting hardware matches other hardware in the range.
- Moving parts sit flush until the door closes to minimize wear.
- Doors slide flush back into the pocket.
- Available in a range of finishes.
- Suits doors from 1-3/8" to 2-1/4" thick.

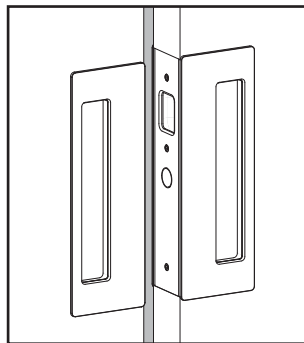
*CL400 Bi-Parting Privacy
Emergency/Snib option.
Satin Nickel finish.* ➔



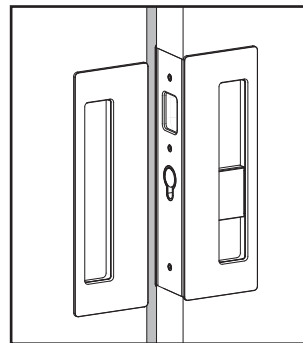
Configurations



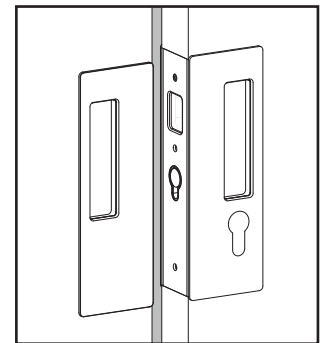
Passage - non latching



Passage - latching



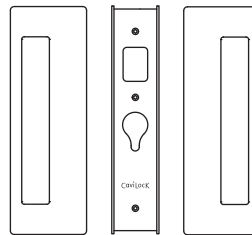
Privacy



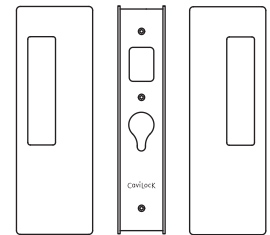
Key Locking

Selection Procedure

Select the functionality and finish required from the table below to choose your Bi-Parting Pack. A matching handle set will automatically be supplied to suit your selection.



Matching Handle Set
- Passage / Privacy

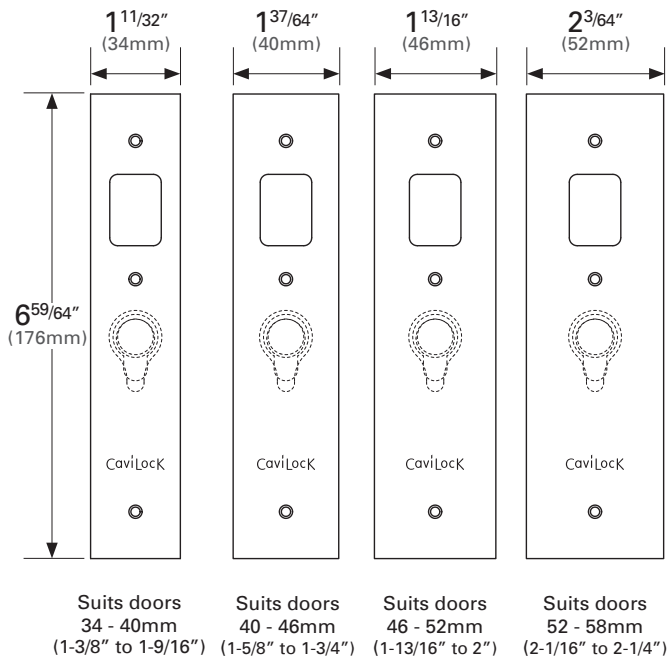


Matching Handle Set
- Key Locking

Function	Door thickness	Finish	Handing Configuration						
Bi-Parting Passage	1-3/8" to 1-9/16"	Bright Chrome	Bi-Parting Privacy Snib One Side and Key One Side handles are supplied with the Snib or Key on the right hand side only.						
Bi-Parting Passage (Latching)	1-5/8" to 1-3/4"	Satin Chrome							
	1-13/16" to 2"	Oil Rubbed Bronze							
Bi-Parting Privacy	2-1/16" to 2-1/4"	Satin Nickel							
Bi-Parting Key		Matte Black							
			<table border="0"> <tr> <td>Snib both sides</td> <td rowspan="5"> Stand looking into the pocket as shown </td> </tr> <tr> <td>Snib one side</td> </tr> <tr> <td>Snib/Emergency</td> </tr> <tr> <td>Key both sides</td> </tr> <tr> <td>Key one side</td> </tr> </table>	Snib both sides	Stand looking into the pocket as shown 	Snib one side	Snib/Emergency	Key both sides	Key one side
Snib both sides	Stand looking into the pocket as shown 								
Snib one side									
Snib/Emergency									
Key both sides									
Key one side									

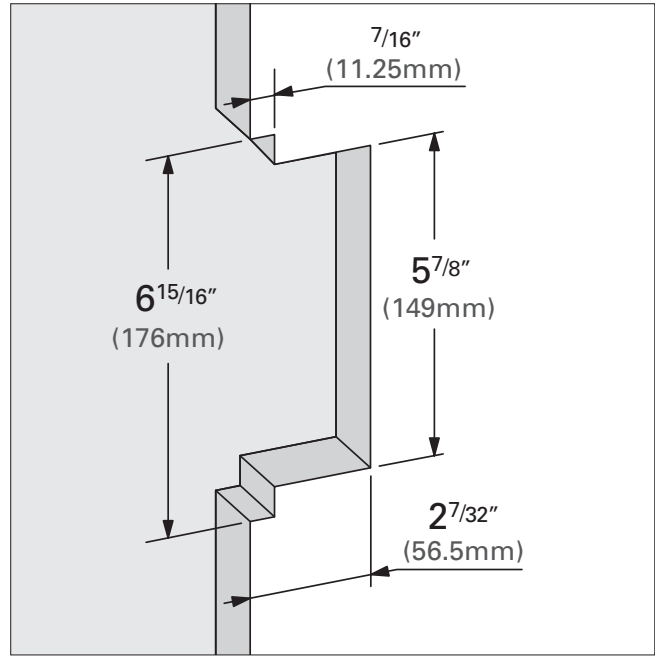
Face Plate

Four different face plate widths are available, to suit doors from 1-3/8" to 2-1/4" thick.



Door Cutout

The CL400 requires a simple door cut out. Complete instructions and templates are supplied with every handle.



Finish Options

All CL400 configurations are available in a range of finishes. Custom finishes are available by special order.



Bright Chrome

Satin Chrome

Oil Rubbed Bronze

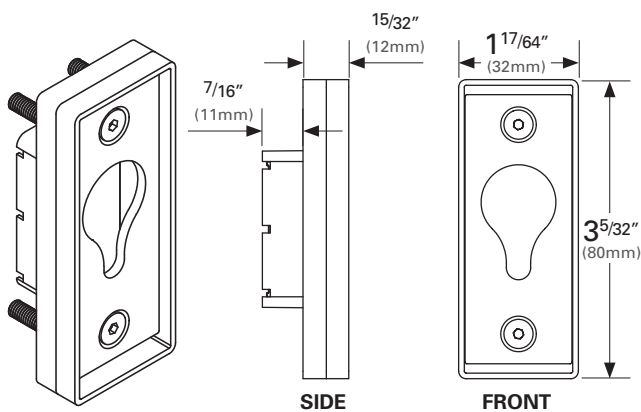
Satin Nickel

Matte Black

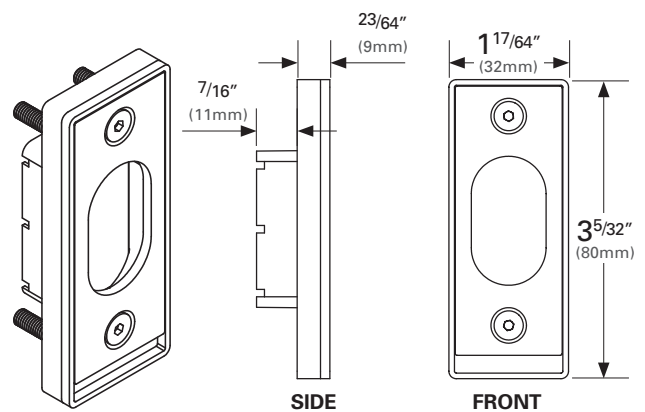
Striker

Depending on the configuration of the handle, the striker supplied is designed to either sit flush with the face of the closing jamb or recessed into the closing jamb. Striker cutout template and instructions are supplied with your handle and cover installation into a flush or recessed closing jamb.

Recessed striker - Key Locking handles



Flush striker - Privacy & Passage handles



Dimensions shown in inches (and millimeters).

© All copyright and other property in this document is reserved by Cavity Sliders USA Inc. Details and specifications are subject to change without notice. Whilst all care is taken to ensure the accuracy of all information, no responsibility will be accepted for any errors or omissions. Drawings & pictures are not to scale. Dimensions shown in inches (and millimeters). Colors shown may not accurately represent product. Timber lock blocks shown do not depict actual doors.

® CAVILOCK is a Registered Trademark. **CAVILOCK® CL400 MAGNETIC** (O.D. 2013). US Patent No. 10036185. 60867/US - 12.2018

www.cavitysliders.com

High quality
products designed
in New Zealand



T (888) 466 0030
F (310) 769 5824
E info@cavitysliders.com

Cavity Sliders USA Inc.

548 Finney Ct
Gardena
CA 90248



Another quality product from:

The logo for CavitySliders, featuring a stylized red 'C' and 'S' followed by the text 'CavitySliders' in a bold, sans-serif font.

The Pocket Door Experts

BarnDoorStrike

The **CaviLock Barn Door Strike** makes the CL400 Magnetic range of sliding door hardware compatible for barn door applications.

It is available for use with CL400 Magnetic Passage, Privacy and Key Locking configurations and CL400 ADA Passage and Privacy handles.



ADA



CaviLock Barn Door Strike with CL400 ADA Magnetic handle.



CaviLock Barn Door Strike with CL400 Magnetic Privacy handle.

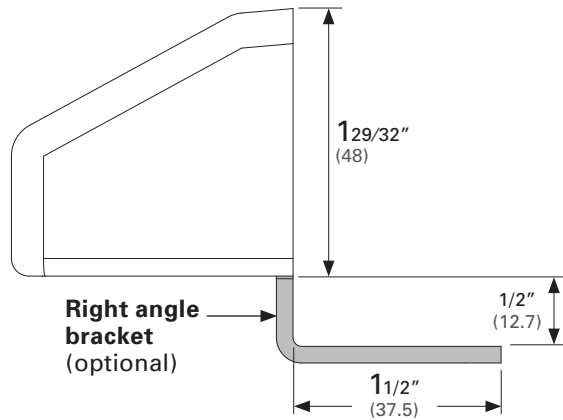
 **CaviLock**[®]
Quality Sliding Door Hardware

Design Features & Options

- ▮ Suitable for doors 1-3/8" or 1-3/4" thick.
- ▮ ADA compliant with the use of the CL400 ADA handle.
- ▮ Easy to install.
- ▮ Available in a range of finishes.
- ▮ Suitable for use with CL400 Passage, Privacy and Key Locking handles.

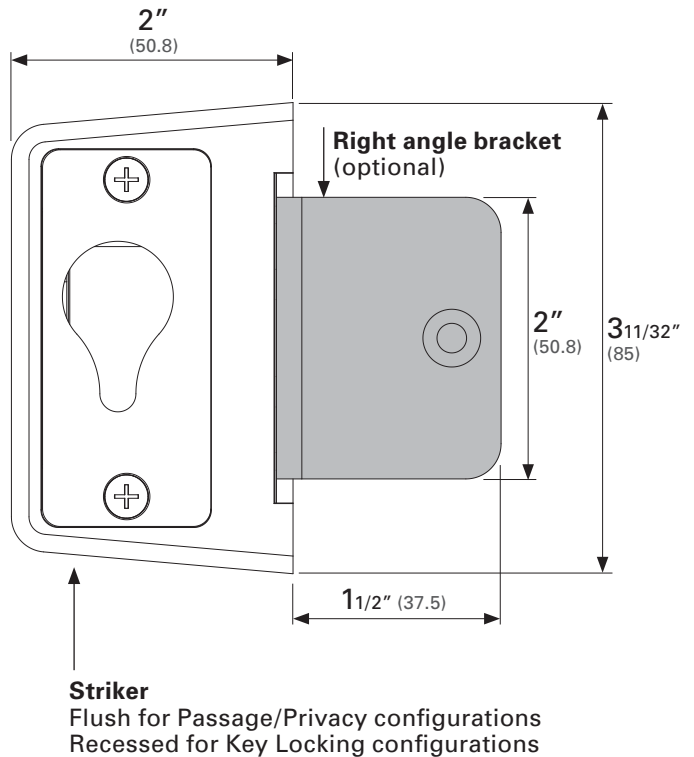
Dimensions

A hidden bracket is supplied as standard.
A right angle bracket can be ordered where additional fixing strength is required, e.g. heavy commercial use.



Product Codes & Finish Options

	Finish	Barn Door Strike	Right Angle Bracket
	Bright Chrome	CL400SA0025	CL400BA0025
	Satin Chrome	CL400SA0125	CL400BA0125
	Oil Rubbed Bronze	CL400SA0225	CL400BA0225
	Satin Nickel	CL400SA0325	CL400BA0325
	Matte Black	CL400SA0425	CL400BA0425
	Paint Primed White	CL400SA0725	CL400BA0725



Drawings & pictures are not to scale. Colors shown may not accurately represent product All dimensions in inches (and mm).

www.cavitysliders.com

High quality products designed in New Zealand



T (888) 466 0030
F (310) 769 5824
E info@cavitysliders.com

Cavity Sliders USA Inc.

548 Finney Ct
Gardena
CA 90248



Another quality product from:

 **CavitySliders**
Quality Sliding Door Hardware