

CL400[®] Magnetic

The **CAVILOCK[®] CL400 Magnetic** is a range of modern architectural hardware for sliding doors. The range covers Passage, Privacy, Bi-Parting and Key Locking configurations.

This high quality, wrap around handle is easy to fit, requiring no complicated mortise cutout.

Available in a range of finishes, the CL400 Magnetic is suitable for both residential and light commercial use.



Watch the CL400 Magnetic video on YouTube



CL400 Magnetic Privacy, Satin Nickel



CL400 Magnetic Key Locking, Oil Rubbed Bronze

 **CaviLock[®]**
Quality Sliding Door Hardware

Architectural styling with a wide range of configurations and finish options available

No on site alteration of handle is required

Reliable, high quality components

Suitable for pocket or barn slider style doors*

Step by step installation instructions with detailed diagrams and templates are included

Can be used to upgrade existing hardware by retrofitting over smaller box cutout

Positive grip for heavy doors

Simple cutout ensures quick fitting

Front edge incorporates a finger hole to retrieve door from the pocket

Moving parts sit flush until the door closes to minimize wear

Patented magnetic catch and plunger action[†] produces a positive hold close without the need to activate the snib

Hidden fixing screws - only three small screws showing on the face plate

Available with a choice of face plate widths to suit doors from 1-3/8" to 2-1/4" thick

Striker can be adjusted 3/32" up or down once installed

Striker sits flush with the closing jamb

CaviLock

* Not suitable where high security is a requirement.
† Patent Pending

The CL400 is a stylish architectural option for passage handles. Designed to complement the privacy and locking range, this handle features a positive hold close action to ensure the door doesn't bounce off the closing jamb.

Design Features & Options

- ▮ Passage hardware matches Privacy and Key Locking hardware.
- ▮ Door slides flush back into the pocket.
- ▮ Suits doors from 1-3/8" to 2-1/4" thick.
- ▮ Magnetic latch ensures door doesn't roll away from the closing jamb.
- ▮ Available in a range of finishes.
- ▮ Non-magnetic version also available.

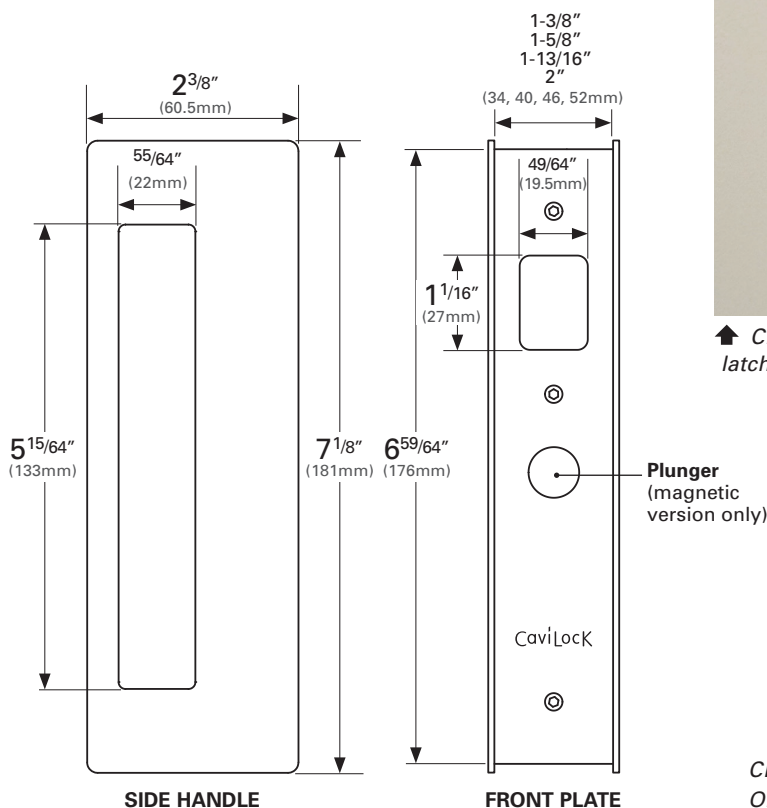


↑ CL400 Passage (non latching). Satin Chrome finish.



CL400 Passage (latching). Oil Rubbed Bronze finish. →

Technical Detail



Selection Procedure To order, ensure you have the following information ready:

Function	Door thickness	Finish
Passage (Non Latching)	34 - 40 mm (1-3/8" to 1-9/16")	Satin Chrome
Passage (Mag Latching)	40 - 46 mm (1-5/8" to 1-3/4")	Bright Chrome
	46 - 52 mm (1-13/16" to 2")	Satin Nickel
	52 - 58 mm (2-1/16" to 2-1/4")	Oil Rubbed Bronze
		Special Order

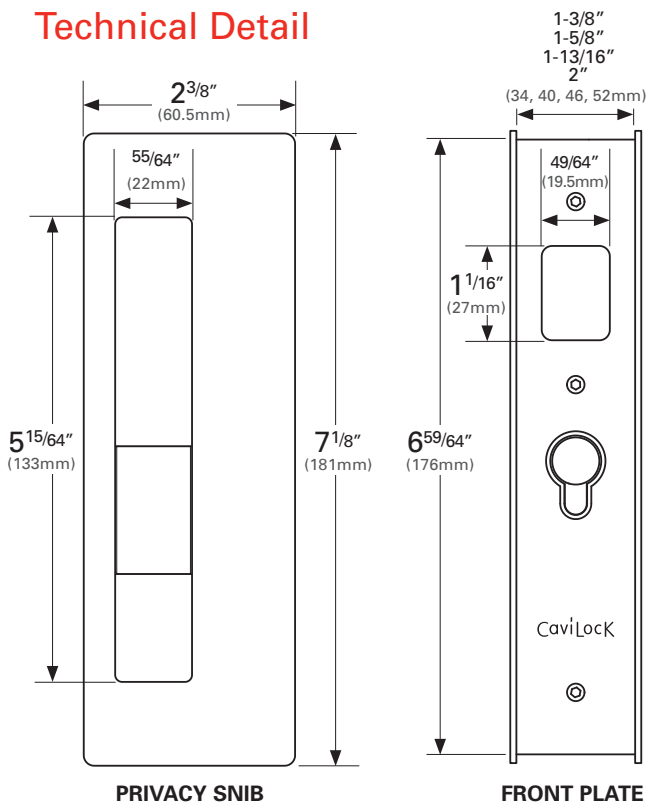
Dimensions shown in inches (and millimeters).

The CL400 Privacy option matches the other configurations in the range. The magnetic latching feature ensures the door doesn't roll open - even if the snib is not engaged.

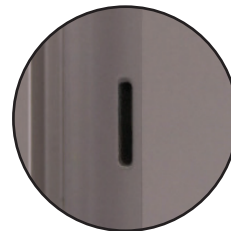
Design Features & Options

- Options include: Snib Both Sides, Snib One Side, or Snib/Emergency.
- Privacy hardware matches Passage and Key Locking hardware.
- Door slides flush back into the pocket.
- Magnetic latch ensures door doesn't roll away from the closing jamb.
- Moving parts sit flush until the door closes to minimize wear.
- Available in a range of finishes.
- Suits doors from 1-3/8" to 2-1/4" thick.

Technical Detail



CL400 Privacy Snib/Snib option. Satin Nickel finish.



Emergency Release can be activated with a pen in an emergency.

CL400 Privacy - Emergency Release/Snib option. Matte Chrome finish.



Selection Procedure

To order, ensure you have the following information ready:

Function (see handing)	Door thickness	Finish	Handing Configuration																
Snib/Snib	1-3/8" to 1-9/16"	Satin Chrome	Handing is determined at time of manufacture and cannot be altered on site. Careful selection of handing options is required at time of order. See diagram for determining handing of functions.																
Snib/Emerg.	1-5/8" to 1-3/4"	Bright Chrome																	
Snib One Side	1-13/16" to 2"	Satin Nickel																	
	2-1/16" to 2-1/4"	Oil Rubbed Bronze																	
		Special Order																	
			<table border="0"> <tr> <td>LH</td> <td></td> <td>RH</td> <td></td> </tr> <tr> <td><input type="checkbox"/></td> <td>Snib</td> <td><input type="checkbox"/></td> <td>Snib</td> </tr> <tr> <td><input type="checkbox"/></td> <td>Blank</td> <td><input type="checkbox"/></td> <td>Blank</td> </tr> <tr> <td><input type="checkbox"/></td> <td>Emerg.</td> <td><input type="checkbox"/></td> <td>Emerg.</td> </tr> </table>	LH		RH		<input type="checkbox"/>	Snib	<input type="checkbox"/>	Snib	<input type="checkbox"/>	Blank	<input type="checkbox"/>	Blank	<input type="checkbox"/>	Emerg.	<input type="checkbox"/>	Emerg.
LH		RH																	
<input type="checkbox"/>	Snib	<input type="checkbox"/>	Snib																
<input type="checkbox"/>	Blank	<input type="checkbox"/>	Blank																
<input type="checkbox"/>	Emerg.	<input type="checkbox"/>	Emerg.																
			<p>Stand looking into the pocket as shown</p>																

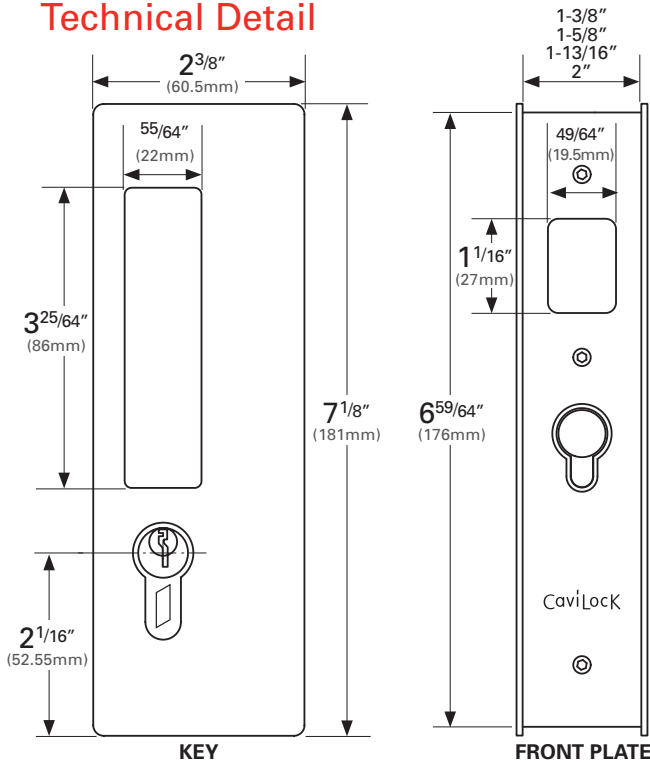
The CL400 Key Locking option is suitable for residential or light commercial use in internal situations where medium security is required.

It incorporates a single or double Euro Profile cylinder with Schlage C Keyway. All Key Locking handles come with a raised shroud as standard for increased security.*

Design Features & Options

- Options include:
 - Key/Snib, Key/Key or Key one side.
- Raised shroud included as standard for increased security.
- Key Locking hardware matches Passage and Privacy hardware.
- Door slides flush back into the pocket.
- Magnetic latch ensures door doesn't roll away from the closing jamb.
- Moving parts sit flush until the door closes to minimize wear.
- Available in a range of finishes.
- Suits doors from 1-3/8" to 2-1/4" thick.

Technical Detail



CL400 Key/Key option. Satin Nickel finish.



CL400 Key/Snib option. Oil Rubbed Bronze finish.

Selection Procedure

To order, ensure you have the following information ready:

Function (see handing)	Door thickness	Finish	Handing Configuration										
Key/Snib	1-3/8" to 1-9/16"	Satin Chrome	Handing is determined at time of manufacture and cannot be altered on site. Careful selection of handing options is required at time of order. See diagram for determining handing of functions.										
Key/Key	1-5/8" to 1-3/4"	Bright Chrome											
Key One Side	1-13/16" to 2"	Satin Nickel											
	2-1/16" to 2-1/4"	Oil Rubbed Bronze											
		Special Order											
			<table style="width: 100%; border: none;"> <tr> <td style="width: 50%; border: none;"> <table style="width: 100%; border: none;"> <tr> <td style="border: none;">LH</td> <td style="border: none;">RH</td> </tr> <tr> <td style="border: none;"><input type="checkbox"/> Key</td> <td style="border: none;"><input type="checkbox"/> Key</td> </tr> <tr> <td style="border: none;"><input type="checkbox"/> Snib</td> <td style="border: none;"><input type="checkbox"/> Snib</td> </tr> <tr> <td style="border: none;"><input type="checkbox"/> Blank</td> <td style="border: none;"><input type="checkbox"/> Blank</td> </tr> </table> </td> <td style="width: 50%; border: none; vertical-align: top;"> Stand looking into the pocket as shown </td> </tr> </table>	<table style="width: 100%; border: none;"> <tr> <td style="border: none;">LH</td> <td style="border: none;">RH</td> </tr> <tr> <td style="border: none;"><input type="checkbox"/> Key</td> <td style="border: none;"><input type="checkbox"/> Key</td> </tr> <tr> <td style="border: none;"><input type="checkbox"/> Snib</td> <td style="border: none;"><input type="checkbox"/> Snib</td> </tr> <tr> <td style="border: none;"><input type="checkbox"/> Blank</td> <td style="border: none;"><input type="checkbox"/> Blank</td> </tr> </table>	LH	RH	<input type="checkbox"/> Key	<input type="checkbox"/> Key	<input type="checkbox"/> Snib	<input type="checkbox"/> Snib	<input type="checkbox"/> Blank	<input type="checkbox"/> Blank	Stand looking into the pocket as shown
<table style="width: 100%; border: none;"> <tr> <td style="border: none;">LH</td> <td style="border: none;">RH</td> </tr> <tr> <td style="border: none;"><input type="checkbox"/> Key</td> <td style="border: none;"><input type="checkbox"/> Key</td> </tr> <tr> <td style="border: none;"><input type="checkbox"/> Snib</td> <td style="border: none;"><input type="checkbox"/> Snib</td> </tr> <tr> <td style="border: none;"><input type="checkbox"/> Blank</td> <td style="border: none;"><input type="checkbox"/> Blank</td> </tr> </table>	LH	RH	<input type="checkbox"/> Key	<input type="checkbox"/> Key	<input type="checkbox"/> Snib	<input type="checkbox"/> Snib	<input type="checkbox"/> Blank	<input type="checkbox"/> Blank	Stand looking into the pocket as shown 				
LH	RH												
<input type="checkbox"/> Key	<input type="checkbox"/> Key												
<input type="checkbox"/> Snib	<input type="checkbox"/> Snib												
<input type="checkbox"/> Blank	<input type="checkbox"/> Blank												

Dimensions shown in inches (and millimeters). * Not suitable where high security is a requirement

Bi-Parting (Double Door) Set

CL400[®] Magnetic

The CL400 Bi-Parting set is suitable for use where two doors meet in the middle. Passage, Privacy and Key Locking configurations are available.

The positive hold close action brings the doors together smoothly and holds them together until ready to open.

Note: Privacy and Key Locking configurations are not suitable as a high security option when used in a Bi-Parting door setup.

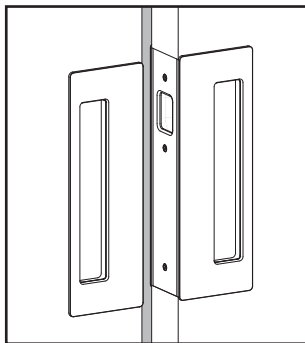
Design Features & Options

- Options include Passage, Privacy and Key Locking.
- Bi-Parting hardware matches other hardware in the range.
- Moving parts sit flush until the door closes to minimize wear.
- Doors slide flush back into the pocket.
- Available in a range of finishes.
- Suits doors from 1-3/8" to 2-1/4" thick.

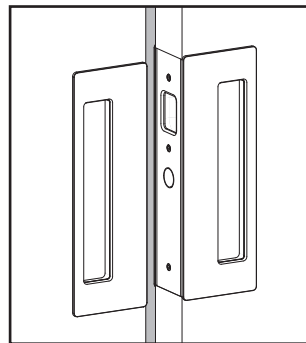
CL400 Bi-Parting Privacy Emergency/Snib option. Satin Nickel finish.



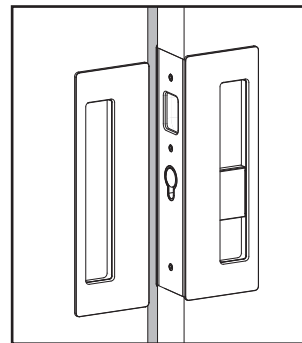
Configurations



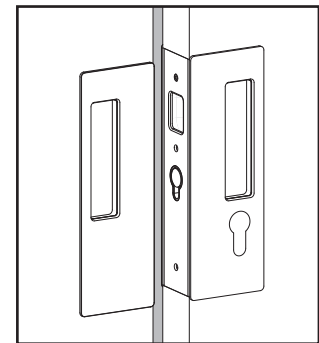
Passage - non latching



Passage - latching



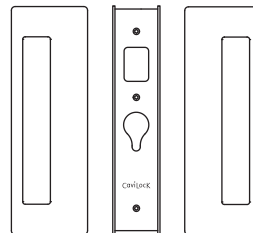
Privacy



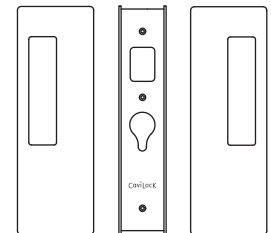
Key Locking

Selection Procedure

Select the functionality and finish required from the table below to choose your Bi-Parting Pack. A matching handle set will automatically be supplied to suit your selection.

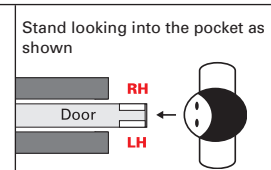


Matching Handle Set - Passage / Privacy



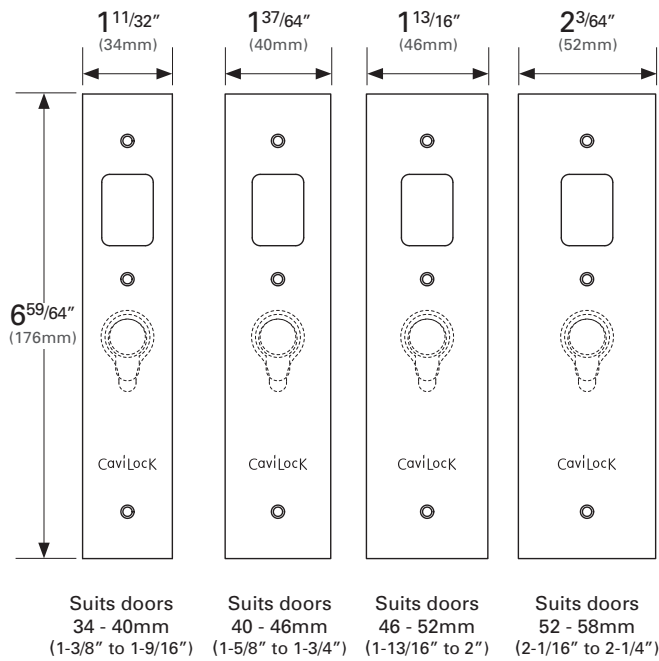
Matching Handle Set - Key Locking

Function	Door thickness	Finish	Handing Configuration
Bi-Parting Passage	1-3/8" to 1-9/16"	Satin Chrome	Bi-Parting Privacy Snib One Side and Key One Side handles are supplied with the Snib or Key on the right hand side only.
Bi-Parting Passage (Latching)	1-5/8" to 1-3/4"	Bright Chrome	
	1-13/16" to 2"	Satin Nickel	
Bi-Parting Privacy	2-1/16" to 2-1/4"	Oil Rubbed Bronze	
Bi-Parting Key		Special Order	
			Snib both sides Snib one side Snib/Emergency Key both sides Key one side



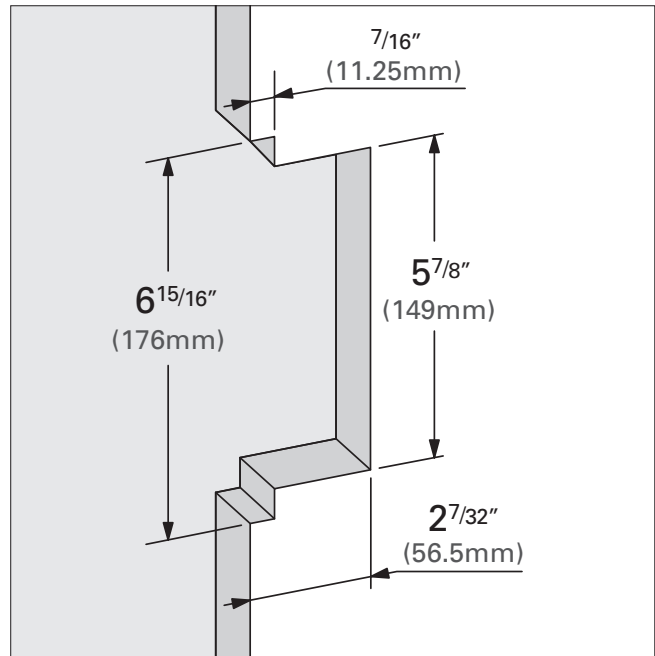
Face Plate

Four different face plate widths are available, to suit doors from 1-3/8" to 2-1/4" thick.



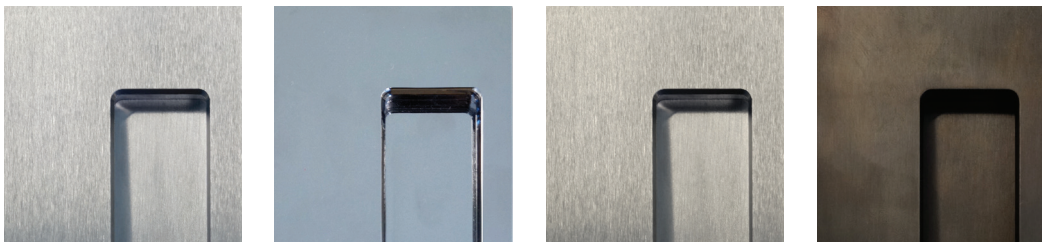
Door Cutout

The CL400 requires a simple door cut out. Complete instructions and templates are supplied with every handle.



Finish Options

All CL400 configurations are available in a range of finishes. Custom finishes are available by special order.



Satin Chrome

Bright Chrome

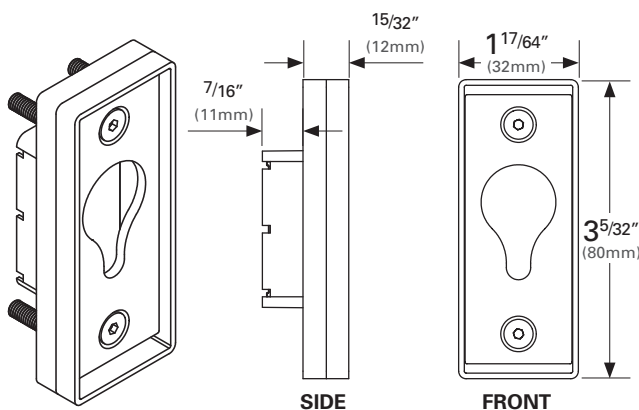
Satin Nickel

Oil Rubbed Bronze

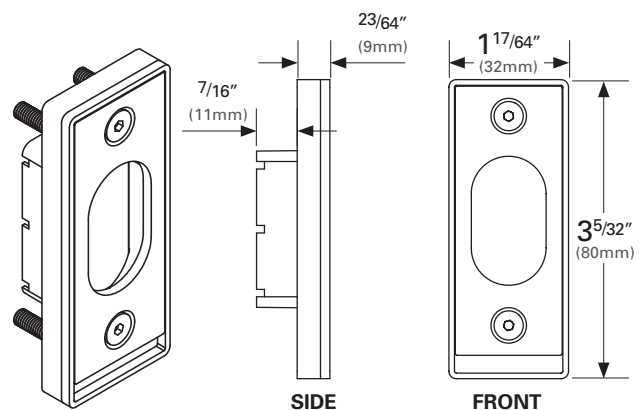
Striker

Depending on the configuration of the handle, the striker supplied is designed to either sit flush with the face of the closing jamb or recessed into the closing jamb. Striker cutout template and instructions are supplied with your handle and cover installation into a flush or recessed closing jamb.

Recessed striker - Key Locking handles



Flush striker - Privacy & Passage handles



Dimensions shown in inches (and millimeters).

© All copyright and other property in this document is reserved by Cavity Sliders USA Inc. Details and specifications are subject to change without notice. Whilst all care is taken to ensure the accuracy of all information, no responsibility will be accepted for any errors or omissions. Drawings & pictures are not to scale. Dimensions shown in inches (and millimeters). Colors shown may not accurately represent product. Timber lock blocks shown do not depict actual doors.

® CAVILOCK is a Registered Trademark. **CAVILOCK® CL400 MAGNETIC** (O.D. 2013). Patent pending. 60867/US - 08.2017

www.cavitysliders.com

High quality
products designed
in New Zealand



T (888) 466 0030
F (310) 769 5824
E info@cavitysliders.com

Cavity Sliders USA Inc.

548 Finney Ct
Gardena
CA 90248



Another quality product from:

 **CavitySliders**
Quality Sliding Door Hardware