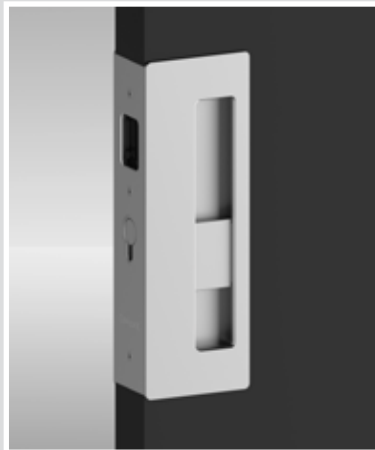




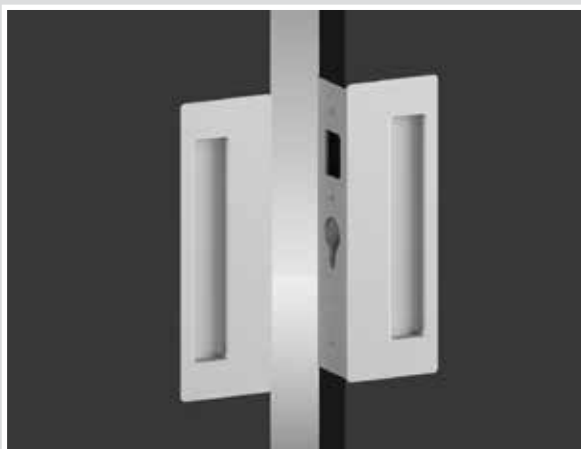
Passage



Privacy Snib



Key Locking



Bi-Parting (Double Doors)

## CL400 Magnetic

The **CAVILOCK® CL400 Magnetic** is a range of modern architectural hardware for sliding doors. The range covers Passage, Privacy, Bi-Parting and Key Locking configurations.

This high quality, wrap around handle is easy to fit, requiring no complicated mortise cutout.

High quality door hardware for most interior sliding applications.



↑ 1 - CaviLock CL400 Passage (non latching) handle in Satin Chrome fitted to a timber door.

Available in a range of finishes, the CL400 Magnetic is suitable for both residential and light commercial use.



Watch the CL400 Magnetic video on YouTube



Architectural styling with a wide range of configurations and finish options available

No on site alteration of handle is required

Reliable, high quality components

Suitable for pocket or barn slider style doors\*

Step by step installation instructions with detailed diagrams and templates are included

Can be used to upgrade existing hardware by retrofitting over smaller box cutout

Positive grip for heavy doors

Simple cutout ensures quick fitting

Front edge incorporates a finger hole to retrieve door from the pocket

Moving parts sit flush until the door closes to minimize wear

Patented magnetic catch and plunger action† produces a positive hold close without the need to activate the snib

Hidden fixing screws - only three small screws showing on the face plate

Available with a choice of face plate widths to suit doors from 1-3/8" to 2-1/4" thick

Striker can be adjusted 3/32" up or down once installed

Striker sits flush with the closing jamb



\* Not suitable where high security is a requirement.  
† Patent Pending

The CL400 is a stylish architectural option for passage handles. Designed to complement the privacy and locking range, this handle features a positive hold close action to ensure the door doesn't bounce off the closing jamb.

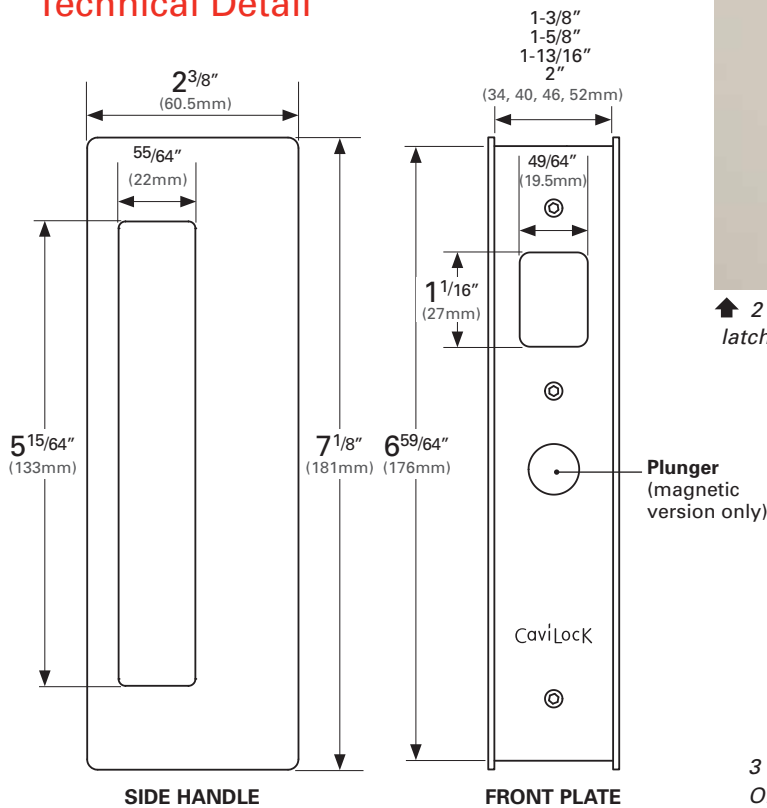
## Design Features & Options

- ▮ Passage hardware matches Privacy and Key Locking hardware.
- ▮ Magnetic latch ensures door doesn't roll away from the closing jamb.
- ▮ Door slides flush back into the pocket.
- ▮ Available in a range of finishes.
- ▮ Suits doors from 1-3/8" to 2-1/4" thick.
- ▮ Non-magnetic version also available.



2 - CL400 Passage (non latching). Satin Chrome finish.

## Technical Detail



3 - CL400 Passage (latching). Oil Rubbed Bronze finish.

**Selection Procedure** To order, ensure you have the following information ready:

Function	Door thickness	Finish
Passage (Non Latching)	34 - 40 mm (1-3/8" to 1-9/16")	Satin Chrome
Passage (Mag Latching)	40 - 46 mm (1-5/8" to 1-3/4")	Matte Chrome
	46 - 52 mm (1-13/16" to 2")	Bright Chrome
	52 - 58 mm (2-1/16" to 2-1/4")	Satin Nickel
		Oil Rubbed Bronze
		Special Order

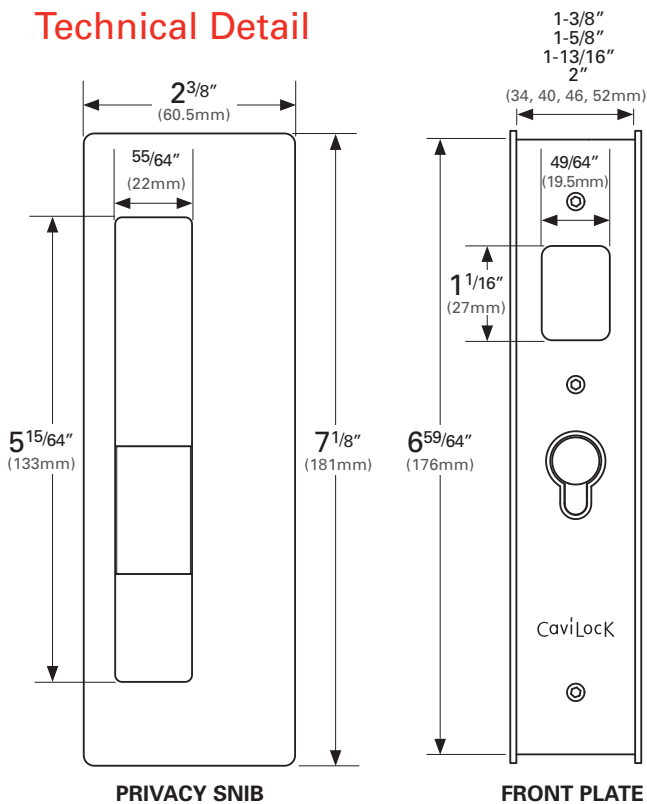
Dimensions shown in inches (and millimeters).

The CL400 Privacy option matches the other configurations in the range. The magnetic latching feature ensures the door doesn't roll open - even if the snib is not engaged.

## Design Features & Options

- Options include: Snib Both Sides, Snib One Side, or Snib/Emergency.
- Privacy hardware matches Passage and Key Locking hardware.
- Door slides flush back into the pocket.
- Magnetic latch ensures door doesn't roll away from the closing jamb.
- Moving parts sit flush until the door closes to minimize wear.
- Available in a range of finishes.
- Suits doors from 1-3/8" to 2-1/4" thick.

## Technical Detail



4 - CL400 Privacy Snib/ Snib option. Satin Nickel finish.



Emergency Release can be activated with a pen in an emergency.

5 - CL400 Privacy - Emergency Release/Snib option. Matte Chrome finish.



## Selection Procedure

To order, ensure you have the following information ready:

Function (see handing)	Door thickness	Finish	Handing Configuration											
Snib/Snib	1-3/8" to 1-9/16"	Satin Chrome	Handing is determined at time of manufacture and cannot be altered on site. Careful selection of handing options is required at time of order. See diagram for determining handing of functions.											
Snib/Emerg.	1-5/8" to 1-3/4"	Matte Chrome												
Snib One Side	1-13/16" to 2"	Bright Chrome	<table border="0"> <tr> <td>LH</td> <td>RH</td> <td rowspan="2">                     Stand looking into the pocket as shown  </td> </tr> <tr> <td>Snib</td> <td>Snib</td> </tr> <tr> <td>Blank</td> <td>Blank</td> <td></td> </tr> <tr> <td>Emerg.</td> <td>Emerg.</td> <td></td> </tr> </table>	LH	RH	Stand looking into the pocket as shown 	Snib	Snib	Blank	Blank		Emerg.	Emerg.	
	LH	RH		Stand looking into the pocket as shown 										
Snib	Snib													
Blank	Blank													
Emerg.	Emerg.													
	2-1/16" to 2-1/4"	Satin Nickel												
		Oil Rubbed Bronze												
		Special Order												

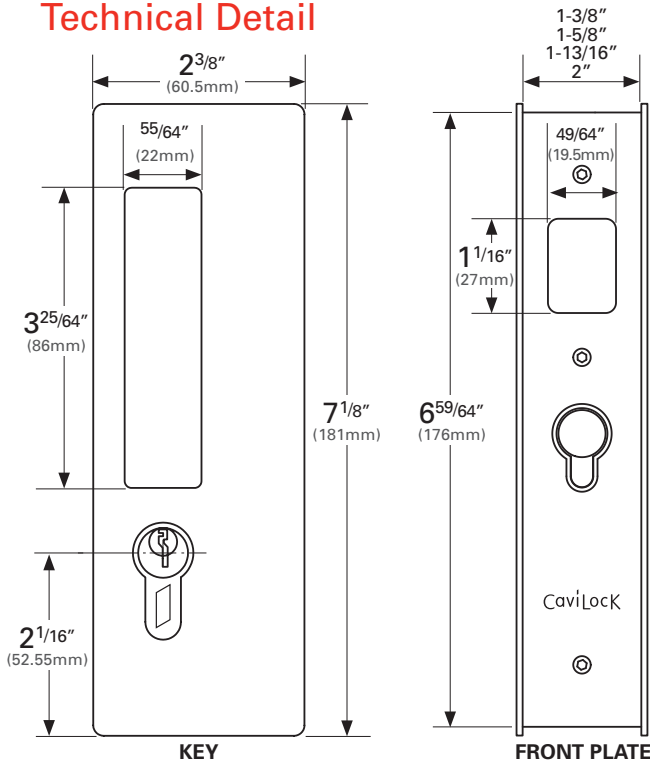
The CL400 Key Locking option is suitable for residential or light commercial use in internal situations where medium security is required.

It incorporates a single or double Euro Profile cylinder with Schlage C Keyway. All Key Locking handles come with a raised shroud as standard for increased security.\*

## Design Features & Options

- Options include:
  - Key/Snib, Key/Key or Key one side.
  - Raised shroud included as standard for increased security.
  - Key Locking hardware matches Passage and Privacy hardware.
  - Door slides flush back into the pocket.
- Magnetic latch ensures door doesn't roll away from the closing jamb.
- Moving parts sit flush until the door closes to minimize wear.
- Available in a range of finishes.
- Suits doors from 1-3/8" to 2-1/4" thick.

## Technical Detail



6 - CL400 Key/Key option. Satin Nickel finish.

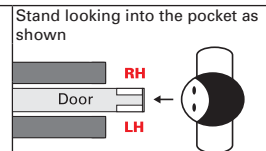


7 - CL400 Key/Snib option. Oil Rubbed Bronze finish.

## Selection Procedure

To order, ensure you have the following information ready:

Function (see handing)	Door thickness	Finish	Handing Configuration								
Key/Snib	1-3/8" to 1-9/16"	Satin Chrome	Handing is determined at time of manufacture and cannot be altered on site. Careful selection of handing options is required at time of order. See diagram for determining handing of functions.								
Key/Key	1-5/8" to 1-3/4"	Matte Chrome									
Key One Side	1-13/16" to 2"	Bright Chrome									
	2-1/16" to 2-1/4"	Satin Nickel									
		Oil Rubbed Bronze									
		Special Order	<table border="0"> <tr> <td><b>LH</b></td> <td><b>RH</b></td> </tr> <tr> <td><input type="checkbox"/> Key</td> <td><input type="checkbox"/> Key</td> </tr> <tr> <td><input type="checkbox"/> Snib</td> <td><input type="checkbox"/> Snib</td> </tr> <tr> <td><input type="checkbox"/> Blank</td> <td><input type="checkbox"/> Blank</td> </tr> </table>	<b>LH</b>	<b>RH</b>	<input type="checkbox"/> Key	<input type="checkbox"/> Key	<input type="checkbox"/> Snib	<input type="checkbox"/> Snib	<input type="checkbox"/> Blank	<input type="checkbox"/> Blank
<b>LH</b>	<b>RH</b>										
<input type="checkbox"/> Key	<input type="checkbox"/> Key										
<input type="checkbox"/> Snib	<input type="checkbox"/> Snib										
<input type="checkbox"/> Blank	<input type="checkbox"/> Blank										



Dimensions shown in inches (and millimeters). \* Not suitable where high security is a requirement

# Bi-Parting (Double Door) Set

**CL400 Magnetic**

The CL400 Bi-Parting set is suitable for use where two doors meet in the middle. Passage, Privacy and Key Locking configurations are available.

The positive hold close action brings the doors together smoothly and holds them together until ready to open.

Note: Privacy and Key Locking configurations are not suitable as a high security option when used in a Bi-Parting door setup.

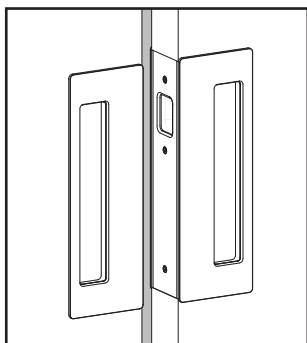
## Design Features & Options

- Options include Passage, Privacy and Key Locking.
- Bi-Parting hardware matches other hardware in the range.
- Moving parts sit flush until the door closes to minimize wear.
- Doors slide flush back into the pocket.
- Available in a range of finishes.
- Suits doors from 1-3/8" to 2-1/4" thick.

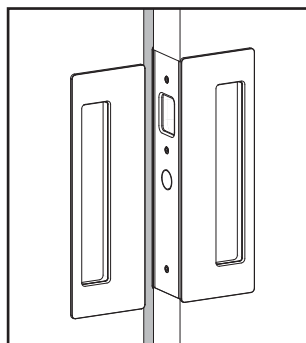
8 - CL400 Bi-Parting Privacy Emergency/Snib option. Satin Nickel finish. →



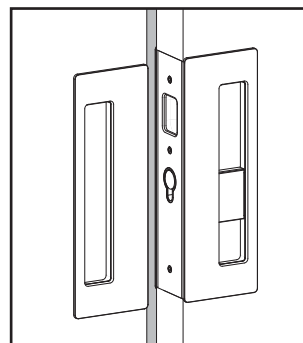
## Configurations



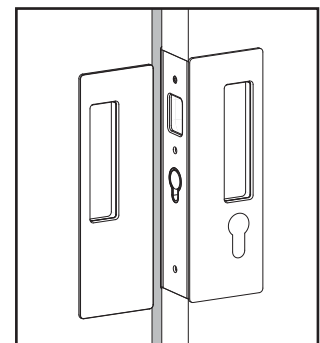
Passage - non latching



Passage - latching



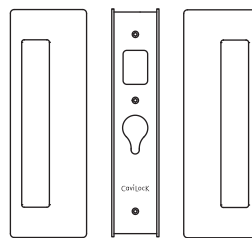
Privacy



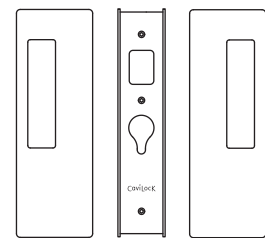
Key Locking

## Selection Procedure

Select the functionality and finish required from the table below to choose your Bi-Parting Pack. A matching handle set will automatically be supplied to suit your selection.

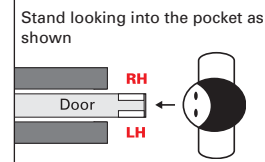


Matching Handle Set - Passage / Privacy



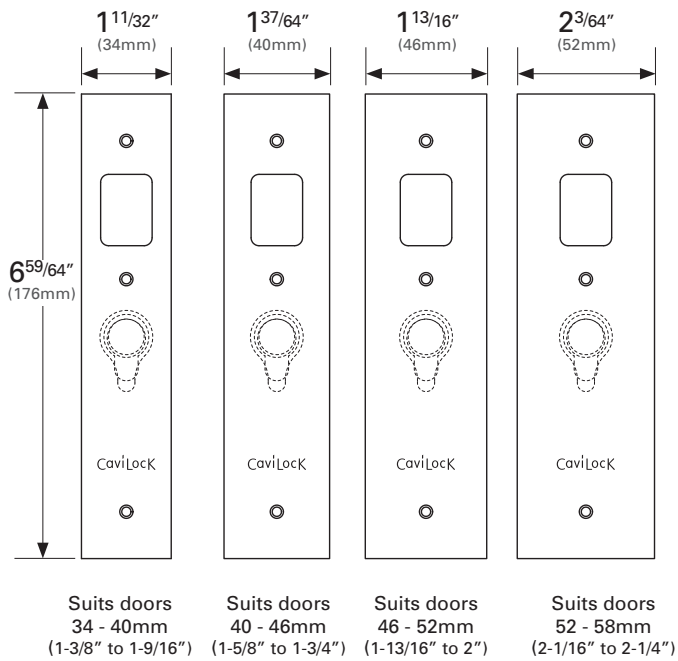
Matching Handle Set - Key Locking

Function	Door thickness	Finish	Handing Configuration
Bi-Parting Passage	1-3/8" to 1-9/16"	Satin Chrome	Bi-Parting Privacy Snib One Side and Key One Side handles are supplied with the Snib or Key on the right hand side only.
Bi-Parting Passage (Latching)	1-5/8" to 1-3/4"	Matte Chrome	
	1-13/16" to 2"	Bright Chrome	
Bi-Parting Privacy	2-1/16" to 2-1/4"	Satin Nickel	
Bi-Parting Key		Oil Rubbed Bronze	Snib both sides Snib one side Snib/Emergency Key both sides Key one side
		Special Order	



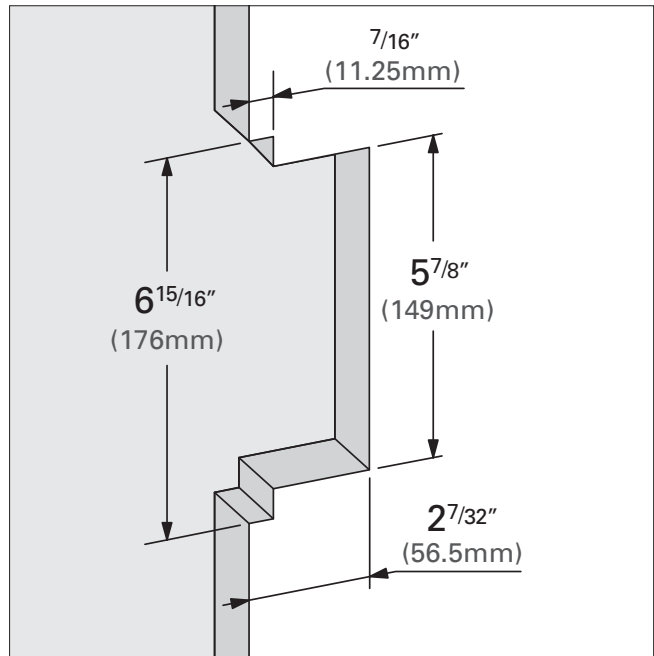
## Face Plate

Four different face plate widths are available, to suit doors from 1-3/8" to 2-1/4" thick.



## Door Cutout

The CL400 requires a simple door cut out. Complete instructions and templates are supplied with every handle.



## Finish Options

All CL400 configurations are available in a range of finishes. Custom finishes are available by special order.



Satin Chrome

Matte Chrome

Bright Chrome

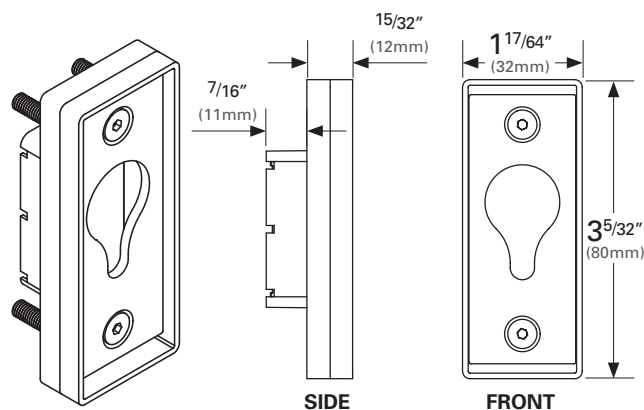
Satin Nickel

Oil Rubbed Bronze

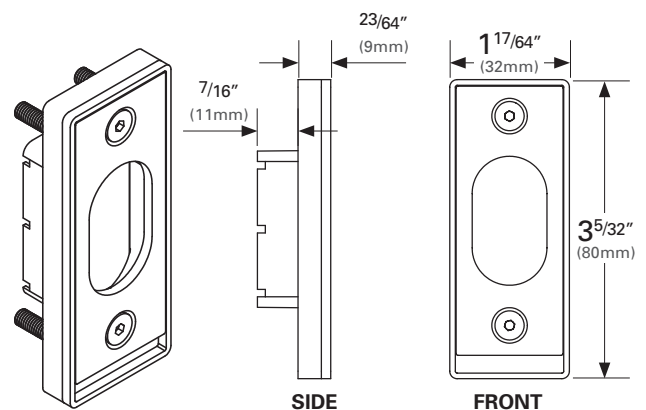
## Striker

Depending on the configuration of the handle, the striker supplied is designed to either sit flush with the face of the closing jamb or recessed into the closing jamb. Striker cutout template and instructions are supplied with your handle and cover installation into a flush or recessed closing jamb.

### Recessed striker - Privacy/Key Locking handles



### Flush striker - Passage handles



Dimensions shown in inches (and millimeters).

© All copyright and other property in this document is reserved by Cavity Sliders USA Inc. Details and specifications are subject to change without notice. Whilst all care is taken to ensure the accuracy of all information, no responsibility will be accepted for any errors or omissions. Drawings & pictures are not to scale. Dimensions shown in inches (and millimeters). Colors shown may not accurately represent product. Timber lock blocks shown do not depict actual doors.

® CAVILOCK is a Registered Trademark. **CAVILOCK® CL400 MAGNETIC** (O.D. 2013). Patent pending. 60867/US - 10.2014

[www.cavitysliders.com](http://www.cavitysliders.com)

High quality  
New Zealand made  
products



T (888) 466 0030  
F (310) 769 5824  
E [info@cavilock.com](mailto:info@cavilock.com)

**Cavity Sliders USA Inc.**

PO Box 1392  
Culver City  
CA 90232

Another quality product from:

The logo for 'CavitySliders' features a stylized 'S' icon in red and white, followed by the text 'CavitySliders™' in a bold, sans-serif font.

High Quality Sliding Door Hardware