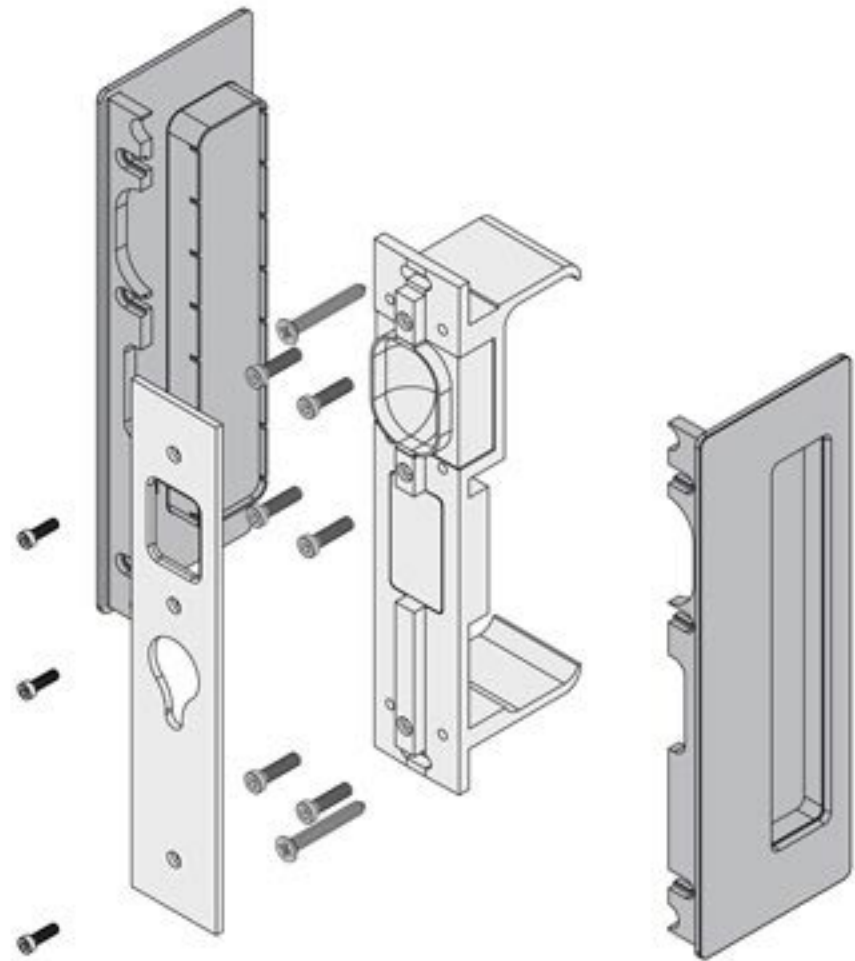
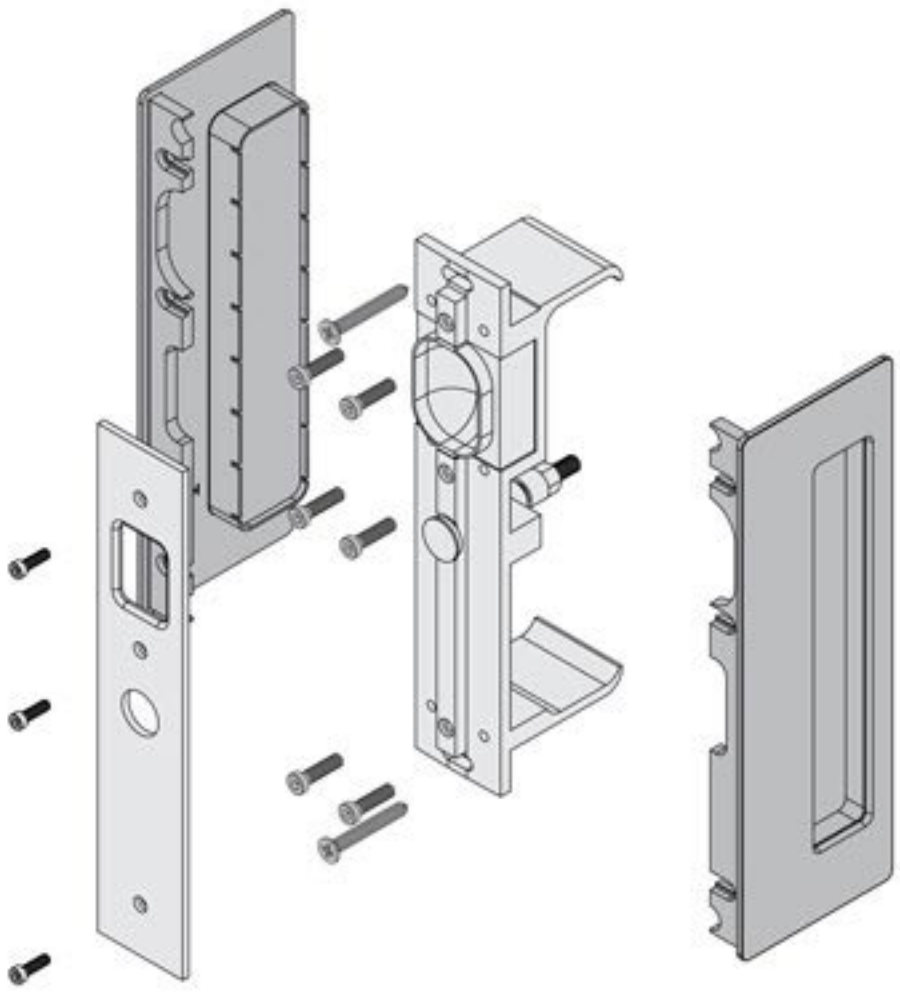


# CL400 Magnetic Components

(Bi-Parting Passage Latching Option Shown)



## Tools

