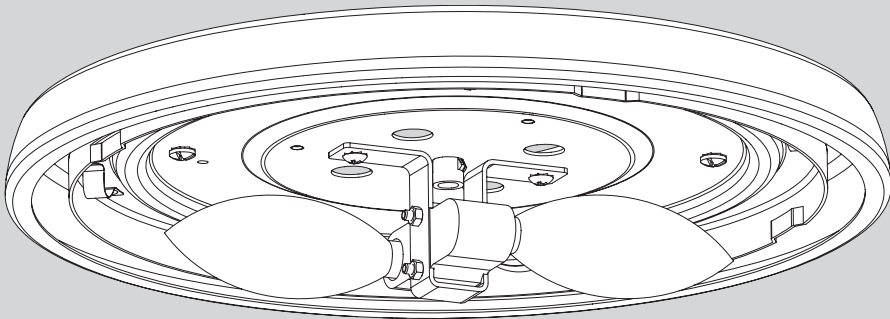


# **Wet-Rated Low Profile Integrated Kit**

## **Installation Manual**



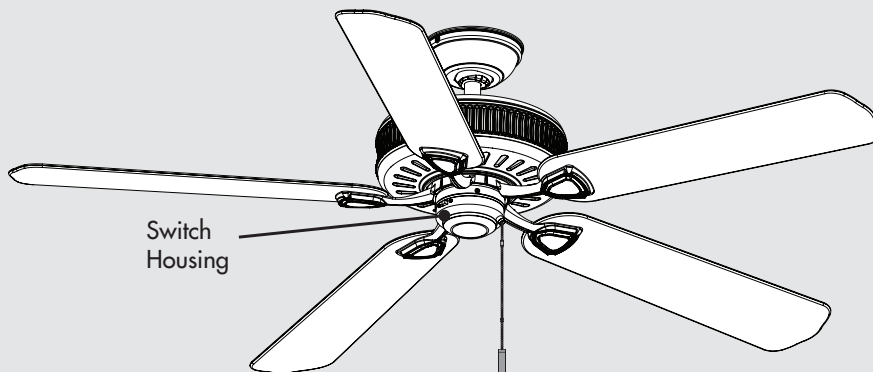
**Models #99075, 99076, 99077, 99078, 99079**

Compatible with:  
2xxxx Types A - Z  
51000-58999 fan series  
59500-59999 fan series  
Select Casablanca Fans

MA006-01 • 7/26/13

## BEFORE YOU BEGIN

Read entire installation instructions carefully before beginning installation and save these instructions.



Your light kit is compatible with most ceiling fans. The light kit will attach to the fan's switch housing. Begin on page 3 where you will choose the type of switch housing that most closely resembles the one on your fan. From there, you will be directed to the set of assembly instructions that are appropriate for installing the light kit to your fan.

### READ AND SAVE THESE INSTRUCTIONS

This product conforms to UL Standard 507.

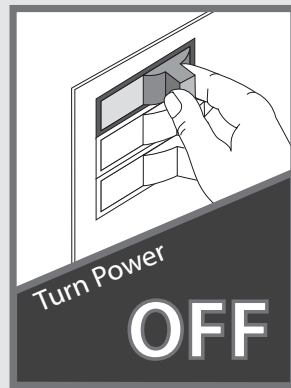
#### ⚠ WARNINGS

w.1 - To reduce the risk of fire, electrical shock, or personal injury, mount fan directly from building structure and/or an outlet box marked acceptable for fan support of 70 lbs. (31.8 kg) and use the mounting screws provided with the outlet box.

w.2 - To avoid possible electrical shock, before installing or servicing your fan, disconnect the power by turning off the circuit breakers to the outlet box and associated wall switch location. If you cannot lock the circuit breakers in the off position, securely fasten a prominent warning device, such as a tag, to the service panel.

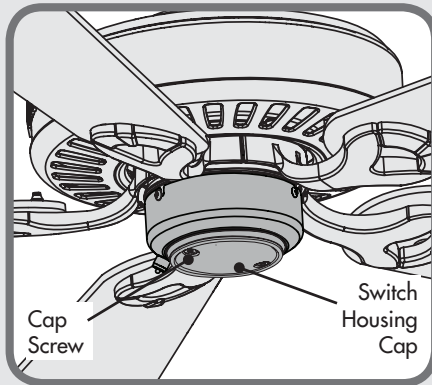
#### ⚠ CAUTIONS

c.1 - All wiring must be in accordance with national and local electrical codes ANSI/NFPA 70. If you are unfamiliar with wiring, use a qualified electrician.

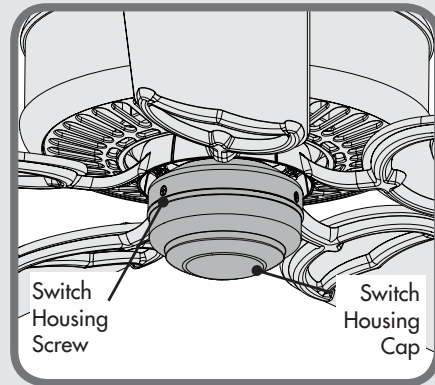


## WHICH ASSEMBLY METHOD WILL I USE?

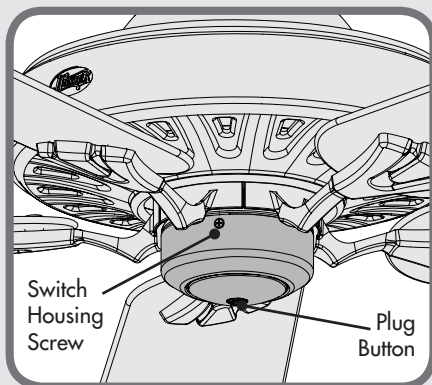
Choose one of the four images below that most closely resembles the switch housing on your fan; then follow the instructions under the image.



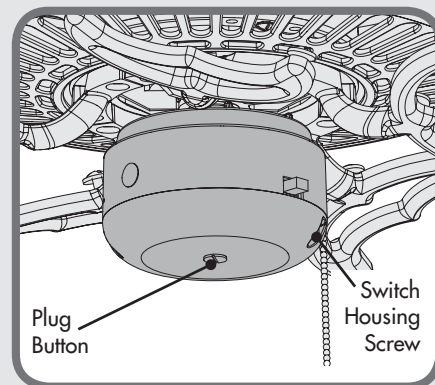
If your fan's switch housing cap resembles this one, remove the cap screws with a Phillips head screwdriver. Then follow the **TYPE-A ASSEMBLY INSTRUCTIONS** on pages 4-5.



If your fan's switch housing cap resembles this one, remove the whole switch housing by removing the switch housing screws with a Phillips head screwdriver. Remove the two cap screws from the inside of the switch housing. Reinstall the switch housing. Tighten the switch housing screws. Then follow the **TYPE-A ASSEMBLY INSTRUCTIONS** on pages 4-5.

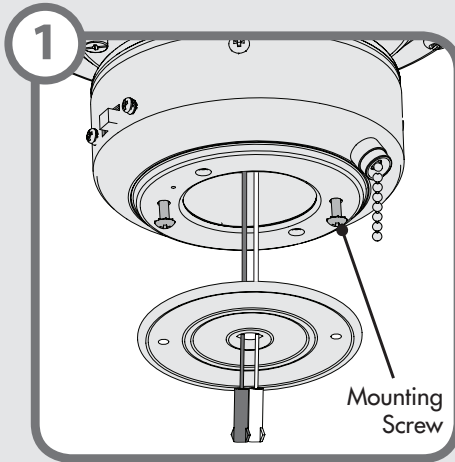


If your fan's switch housing cap resembles this one, remove the whole switch housing by removing the switch housing screws with a Phillips head screwdriver. Remove the plug button. Then follow the **TYPE-B ASSEMBLY INSTRUCTIONS** on pages 6-7.

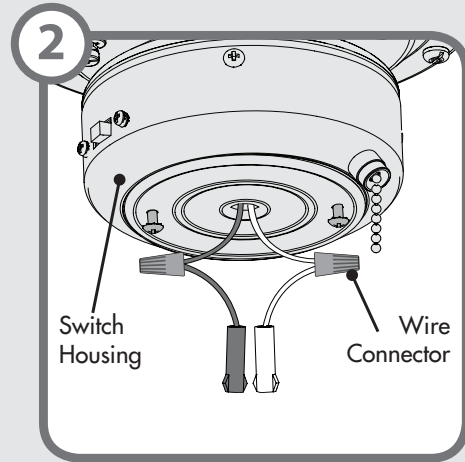


If your fan's switch housing cap resembles this one, remove the whole switch housing by removing the switch housing screws with a Phillips head screwdriver. Remove the plug button using a standard screwdriver. Then follow the **TYPE-C ASSEMBLY INSTRUCTIONS** on pages 8-9.

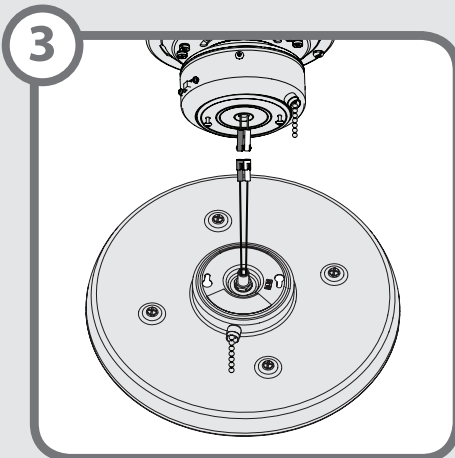
## TYPE-A ASSEMBLY INSTRUCTIONS



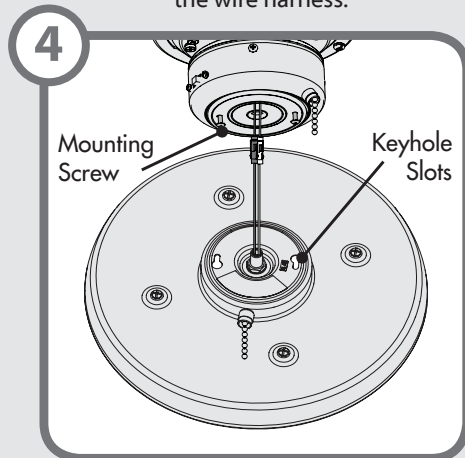
Feed the wires through the center hole in the gasket. Then partially install the two mounting screws through the gasket into the bottom of the lower switch housing. Press the gasket flush to the lower switch housing.



If your fan does not have pin connectors on the wires coming from the switch housing, install the wiring harness provided. Using the provided wire connectors connect the white wire from the fan to the white wire from the wire harness and connect the black or blue wire from the fan to the black wire from the wire harness.



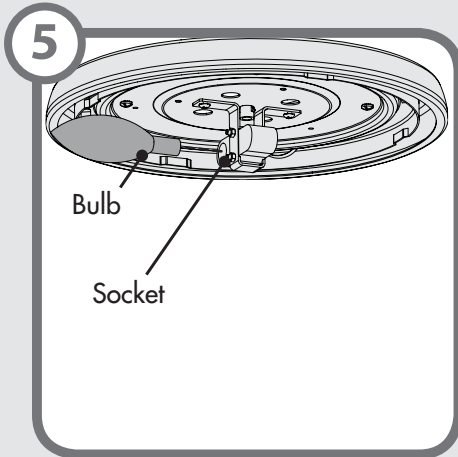
Using the single pin connectors, connect the black or blue wire from the fan to the black wire from the light kit. Connect the white wire from the fan to the white wire from the light kit.



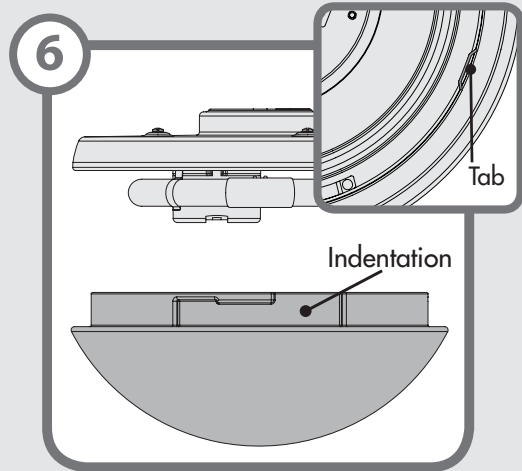
Lift the light kit up to meet the lower switch housing. Wrap keyhole slots around the screws and twist counterclockwise. Tighten screws.



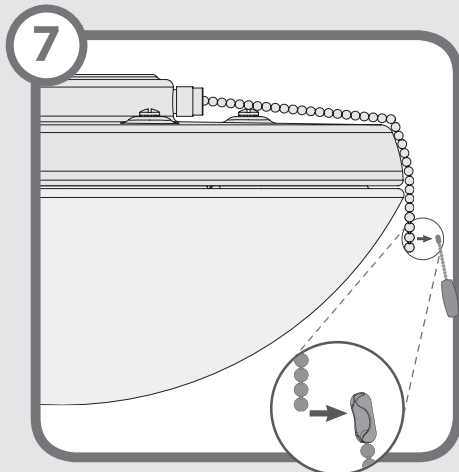
## TYPE-A ASSEMBLY INSTRUCTIONS (CONTINUED)



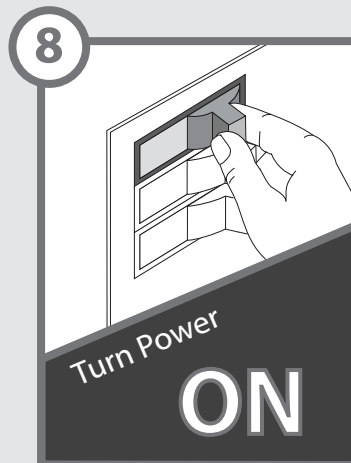
**Installing the bulbs** - Install a bulb into each of the sockets. When necessary, replace with bulbs of same type and wattage.



**Installing the globe** (sold separately)- Position the indentations in the outer rim of the globe so that they line up with the tabs on the inside surface of the light fixture rim. Carefully lift the globe up inside the light fixture as far as it will go. Rotate the globe in a clockwise direction until it is held tightly in place by the four tabs.

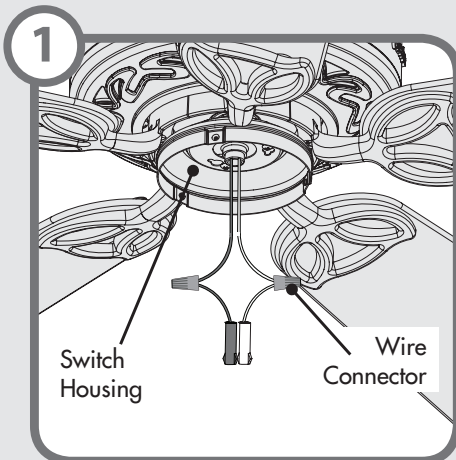


**Installing the pull chain pendant** - Attach the pull chain pendant to the end of the short chains coming from the switch housing and the light kit.

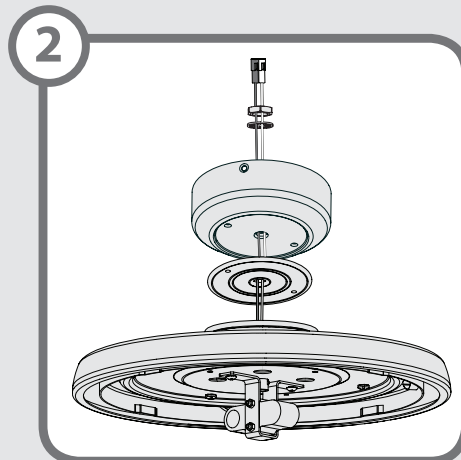


Turn power on. Your installation is complete!

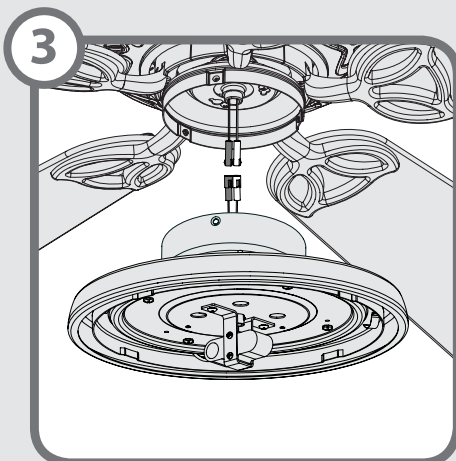
## TYPE-B ASSEMBLY INSTRUCTIONS



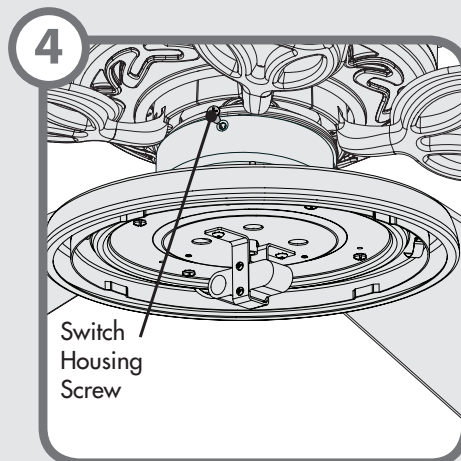
If your fan does not have pin connectors on the wires coming from the switch housing, install the wiring harness provided. Using the provided wire connectors connect the white wire from the fan to the white wire from the wire harness and connect the black or blue wire from the fan to the black wire from the wire harness.



Feed the wires through the center hole in the switch housing, the washer, and the nut. Push the center hole in the gasket over the threaded rod of the light kit. Then install the switch housing by twisting clockwise onto the threaded rod. Install the washer and nut onto threaded rod and tighten securely.



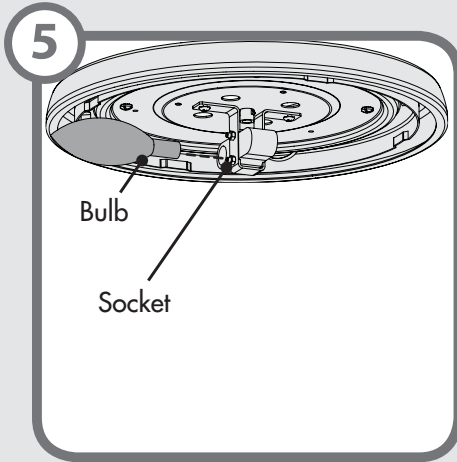
Using the single pin connectors, connect the black or blue wire from the fan to the black wire from the light kit. Connect the white wire from the fan to the white wire from the light kit.



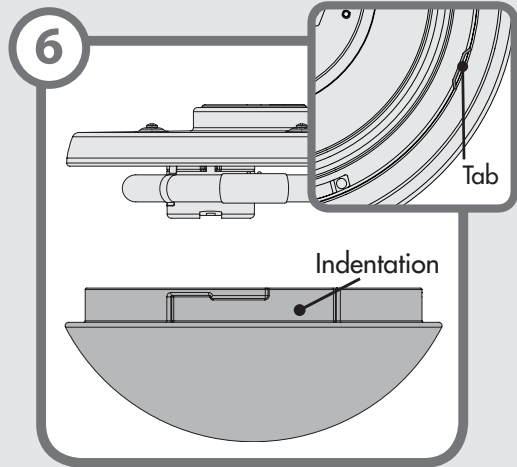
Lift the light kit assembly up so that the screw holes in the lower switch housing line up with the holes in the upper switch housing. Install the switch housing screws and tighten securely.



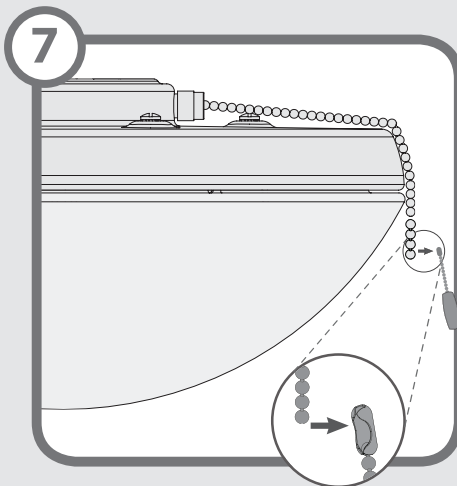
## TYPE-B ASSEMBLY INSTRUCTIONS (CONTINUED)



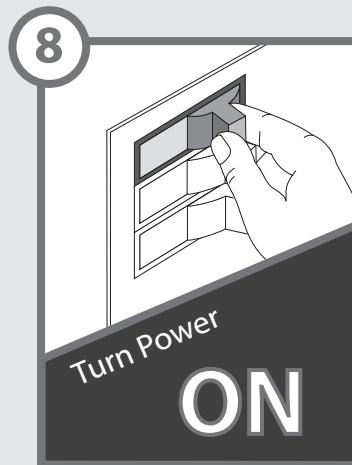
**Installing the bulbs** - Install a bulb into each of the sockets. When necessary, replace with bulbs of same type and wattage.



**Installing the globe** (sold separately)- Position the indentations in the outer rim of the globe so that they line up with the tabs on the inside surface of the light fixture rim. Carefully lift the globe up inside the light fixture as far as it will go. Rotate the globe in a clockwise direction until it is held tightly in place by the four tabs.

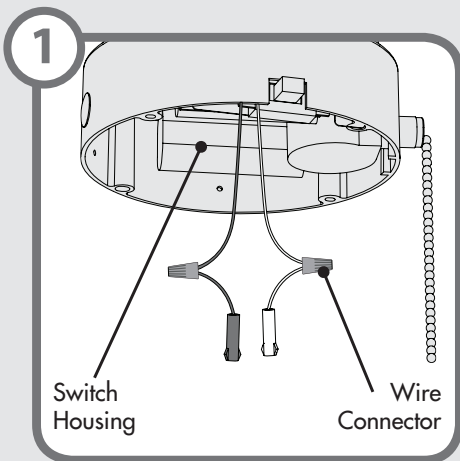


**Installing the pull chain pendant** - Attach the pull chain pendant to the end of the short chains coming from the switch housing and the light kit.

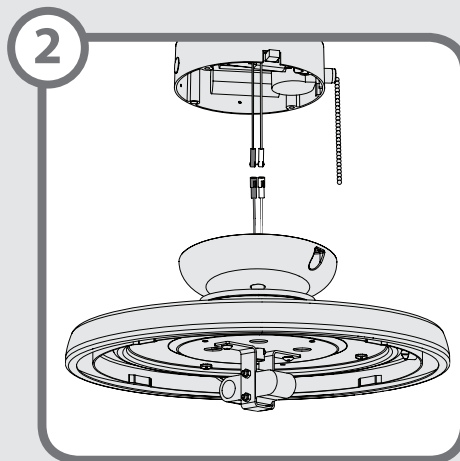


Turn power on. Your installation is complete!

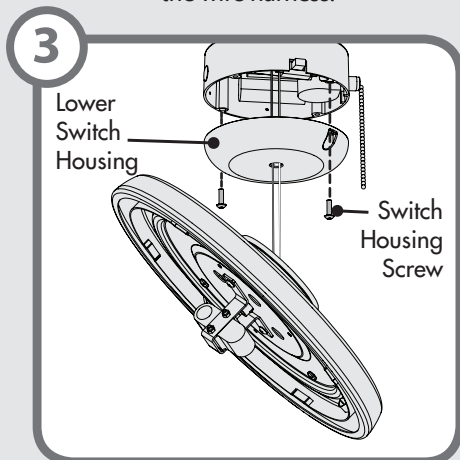
## TYPE-C ASSEMBLY INSTRUCTIONS



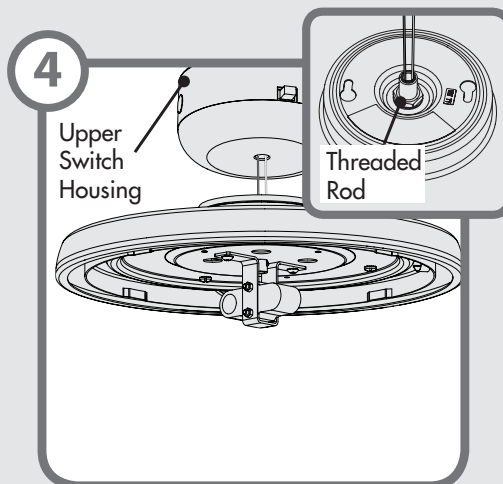
If your fan does not have pin connectors on the wires coming from the switch housing, install the wiring harness provided. Using the provided wire connectors connect the white wire from the fan to the white wire from the wire harness and connect the black or blue wire from the fan to the black wire from the wire harness.



Feed the wires through the center hole in the switch housing. Then using the single pin connectors, connect the black or blue wire from the fan to the black wire from the light kit. Connect the white wire from the fan to the white wire from the light kit.



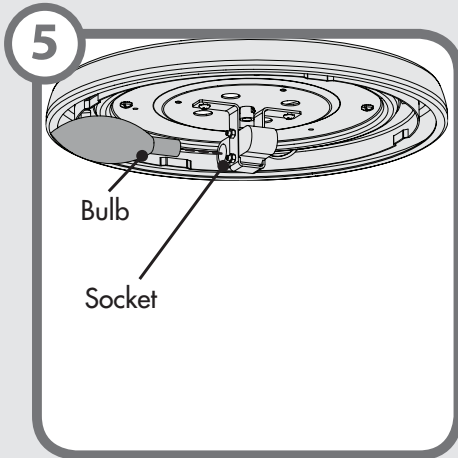
Lift the lower switch housing up so that the screw holes line up with the holes in the upper switch housing. Install the switch housing screws and tighten securely.



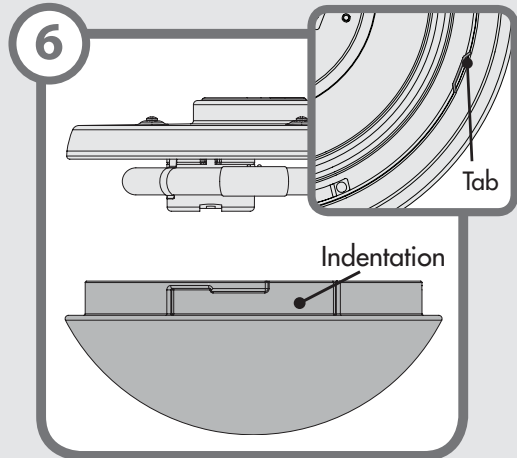
Lift the light kit up, tucking the wires into the hole in the switch housing. Install the center stem of the light kit into the lower switch housing by turning the threaded rod clockwise into the threaded hole. Continue turning until tight.



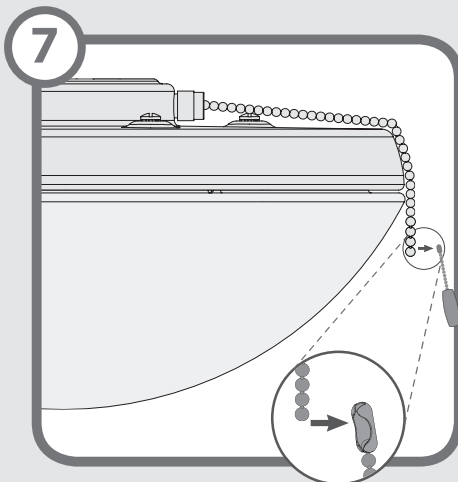
## TYPE-C ASSEMBLY INSTRUCTIONS (CONTINUED)



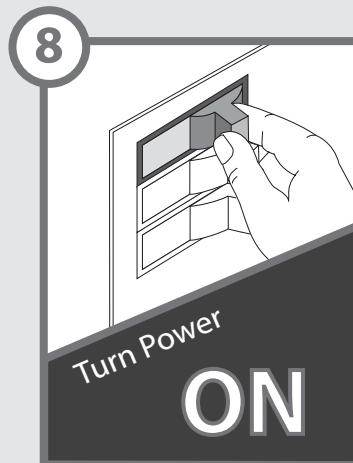
**Installing the bulbs** - Install a bulb into each of the sockets. When necessary, replace with bulbs of same type and wattage.



**Installing the globe** (sold separately)- Position the indentations in the outer rim of the globe so that they line up with the tabs on the inside surface of the light fixture rim. Carefully lift the globe up inside the light fixture as far as it will go. Rotate the globe in a clockwise direction until it is held tightly in place by the four tabs.



**Installing the pull chain pendant** - Attach the pull chain pendant to the end of the short chains coming from the switch housing and the light kit.



Turn power on. Your installation is complete!

## TROUBLESHOOTING

### Lights don't come on.

- Make sure that the bulbs are properly installed.
- Make sure power switch is on.
- Pull the pull chain to make sure it is on.
- Check the circuit breaker to ensure the power is turned on.
- Check the pin connections in the light kit.
- Refer to the fan manual for locating the fan's wiring. Verify that the light and power wires are correctly connected to the ceiling and the light kit.

## ONE YEAR WARRANTY

This product is warranted to the original purchaser by Casablanca Fan Company/ Hunter Fan Company against defects in material and workmanship for one (1) year from date of purchase. During the warranty period, we will repair or, at our option, replace a defective product at no charge. For information on how to obtain service, contact the Casablanca/Hunter Service Department by calling our toll-free number at 888-830-1326. Damage to the product caused by mishandling, improper installation or modification is not covered by this warranty. This warranty is given in lieu of all other warranties expressed or implied. Some states do not allow limitations of time on an implied warranty, therefore the above limitations may not apply in every case. This warranty states specific legal rights which may vary from state to state.

If you have problems installing or operating your light kit, do not return this product to the dealer. Call our Consumer Affairs Hotline.

**888-830-1326**

Monday through Friday  
8:00 am to 4:30 pm Central