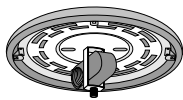


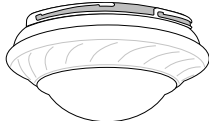
**KG2L LIGHT FIXTURE**

**WARNING:** To reduce the possibility of electrical shock, be sure that the power is turned off at its source (fuse or circuit breaker). All electrical components must be installed in accordance with national and local electrical codes. To reduce the risk of fire and electrical shock, this light fixture should be used only with UL & CUL Certified Casablanca ceiling fans.

**IMPORTANT:** Before discarding any packing material locate the following items:



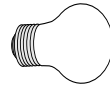
LIGHT  
FIXTURE



GLASS



RUBBER  
GASKET

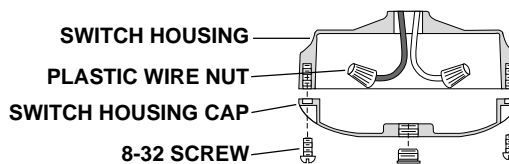


BULBS (2)

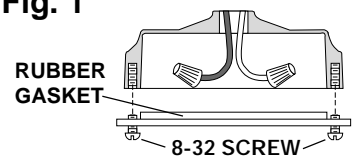
<b>Dimensions:</b>		
Height	Width	With Glass
5 1/2"	11 1/4"	12"
<b>Weight:</b>		
Light Kit	With Glass	
2 lbs	3 1/2 lbs	

**Prepare Fan**

1. Remove switch housing cap from switch housing by unscrewing the two 8-32 screws. Press the two 8-32 screws half way through the rubber gasket as shown and partially thread the screws into the switch housing. Make sure that there is at least 1/8" between the bottom of the rubber gasket and the screw head. **[Fig. 1]**
2. Remove plastic wirenuts from switch housing wires and strip 1/2" insulation from both wires (black and white).



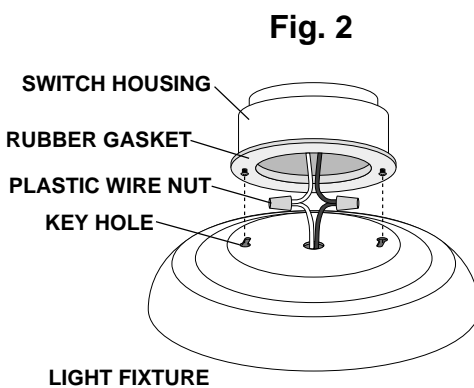
**Fig. 1**



*NOTE: Wrap the switch housing cap in paper and set aside in a safe place. If later you decide to remove the light kit, replace the switch housing cap.*

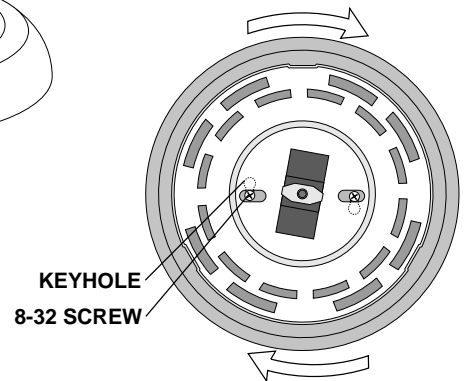
**Install Light Fixture**

3. Hold the light fixture close to the switch housing. Connect the wires from the fan and the wires from the light fixture together (**BLACK to BLACK and WHITE to WHITE**) by placing the bare ends of the wires together and then secure with the wirenuts. **[Fig. 2]**
4. Lift the light kit to the switch housing, aligning the key holes with the two 8-32 screws. **[Fig. 2]**



**Fig. 2**

**Fig. 3**



**Caution:** Make sure no wires are pinched between fixture cover and switch housing.

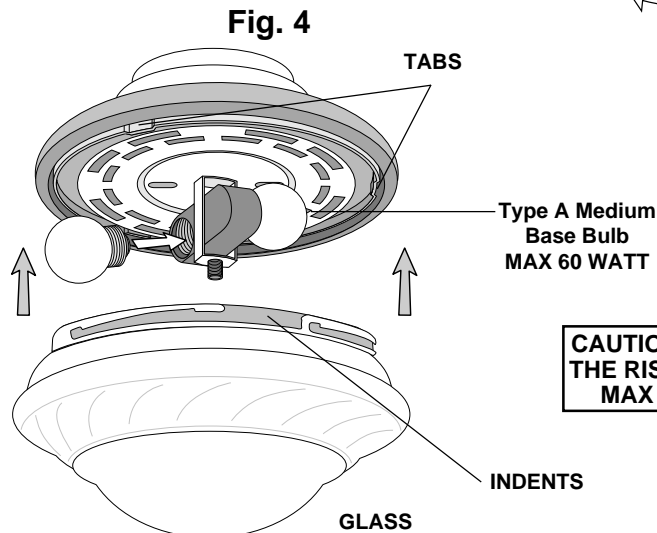
5. Rotate the light fixture clockwise to engage the screws with the key holes. Assure that the two 8-32 screws are fully engaged in the key holes and tighten screws firmly. **[Fig. 3]**

**Install Light Bulbs**

7. Carefully thread the bulbs into the sockets. Tighten by hand. **[Fig. 4]**

**Install Glass**

8. Lift the glass into the rim of the light fixture, aligning the indents of the glass with the tabs of the light fixture. Push up gently and turn the glass to the right (clockwise) until the glass is locked in place. **[Fig. 4]**



**CAUTION: TO REDUCE THE RISK OF FIRE USE MAX 60W BULBS!**