

EASY CONNECT™ INSTALLATION INSTRUCTIONS

NEED HELP?
Call or Email us first

Our service team is ready to answer your questions...
1-800-265-1833 (English) / 1-800-567-2513 (French)
IN CANADA - ressaescanada@canarmna.ca - IN USA - ressaesusa@canarmna.ca

Monday – Friday
8 AM - 5 PM EST.



INSTRUCTIONS PERTAINING TO RISK OF FIRE OR INJURY TO PERSONS
READ ALL INSTRUCTIONS

**IMPORTANT SAFETY
INSTRUCTIONS**
SAVE THESE INSTRUCTIONS

TOOLS AND MATERIALS REQUIRED:

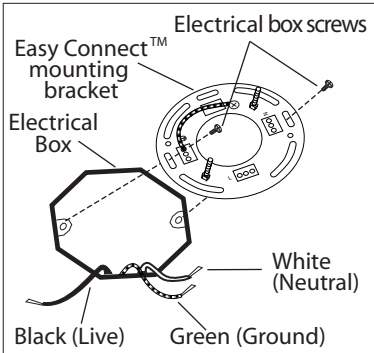


SAFETY PRECAUTIONS:

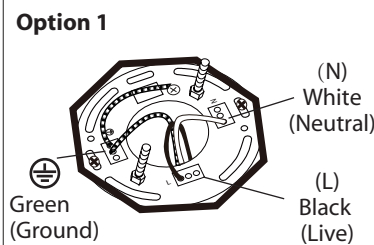
1. TURN OFF ELECTRICAL POWER BEFORE STARTING INSTALLATION OF LIGHT FIXTURE.
2. WIRING SUPPLIES AS REQUIRED BY LOCAL ELECTRICAL CODE.
3. THIS PRODUCT MUST BE INSTALLED IN ACCORDANCE WITH THE APPLICABLE INSTALLATION CODE BY A PERSON FAMILIAR WITH THE CONSTRUCTION AND OPERATION OF THE PRODUCT AND THE HAZARDS INVOLVED.
4. TO CLEAN THE FIXTURE, TURN OFF THE POWER, WAIT FOR IT TO COOL, AND WIPE THE FIXTURE WITH A CLEAN, SOFT CLOTH.

NOTE: Product may not look exactly as shown in figures.

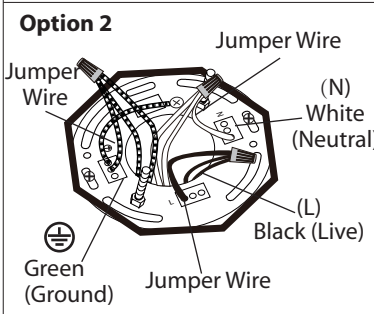
INSTALLATION:



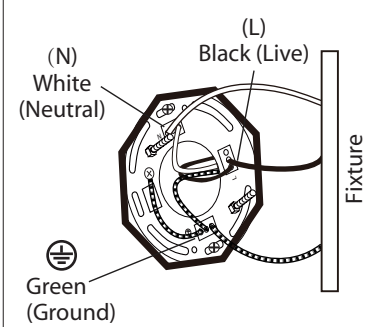
1. Attach Easy Connect™ mounting bracket to electrical box with electrical box screws (not included).



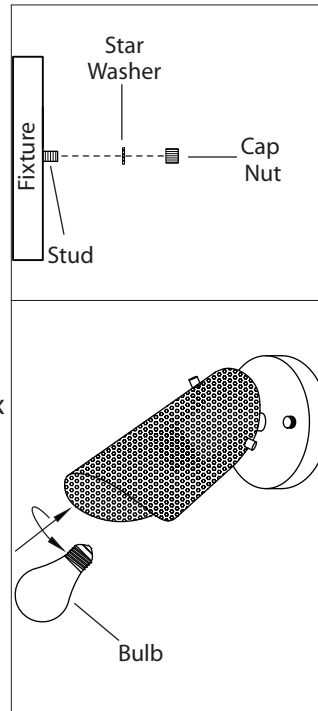
2. Option 1: Connect (push) electrical wires from electric box (house wiring) into correct inserts.



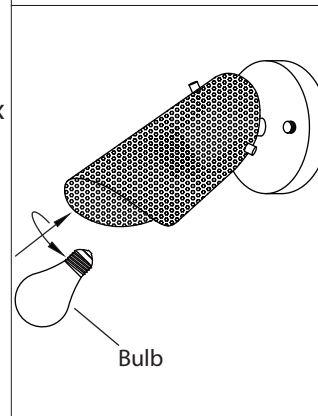
Option 2: For multiple green (ground), black (live) and white (neutral) wires joined in the electrical box (house wiring), attach a single "green", "black" and "white" jumper wire before connecting. Strip 7mm from the 6" jumper wires supplied. Then connect (push) wires into the correct inserts.



3. Connect (push) electrical wires from fixture into correct inserts.



4. Tuck electrical wires into electrical box and position fixture over studs on mounting bracket assembly. Secure fixture in place with star washers and cap nuts.



5. Install specified bulb type and wattage (not included).