

EASY CONNECT™ INSTALLATION INSTRUCTIONS

QUESTIONS OR CONCERNS CONTACT AT:
1-800-265-1833 (English) / 1-800-567-2513 (French)
Monday through Friday 8:00 AM to 5:00 PM E.S.T.



INSTRUCTIONS PERTAINING TO RISK OF FIRE OR INJURY TO PERSONS
READ ALL INSTRUCTIONS

**IMPORTANT SAFETY
INSTRUCTIONS**
SAVE THESE INSTRUCTIONS

TOOLS AND MATERIALS REQUIRED:



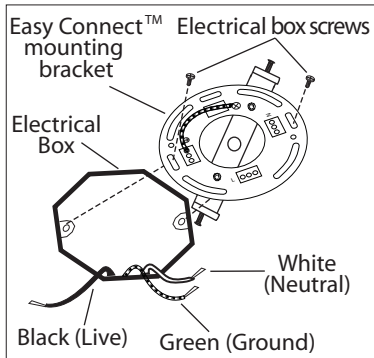
Phillips
Screwdriver

SAFETY PRECAUTIONS:

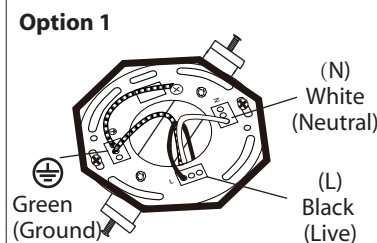
1. TURN OFF ELECTRICAL POWER BEFORE STARTING INSTALLATION OF LIGHT FIXTURE.
2. WIRING SUPPLIES AS REQUIRED BY LOCAL ELECTRICAL CODE.
3. THIS PRODUCT MUST BE INSTALLED IN ACCORDANCE WITH THE APPLICABLE INSTALLATION CODE BY A PERSON FAMILIAR WITH THE CONSTRUCTION AND OPERATION OF THE PRODUCT AND THE HAZARDS INVOLVED.
4. TO CLEAN THE FIXTURE, TURN OFF THE POWER, WAIT FOR IT TO COOL, AND WIPE THE FIXTURE WITH A CLEAN, SOFT CLOTH.

NOTE: Product may not look exactly as shown in figures.

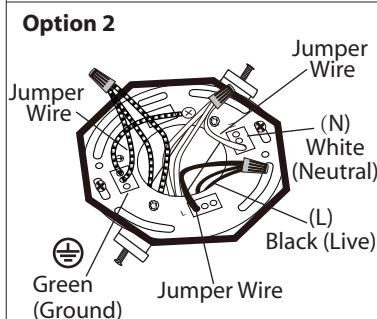
INSTALLATION:



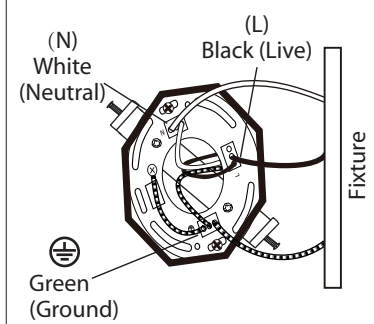
1. Attach Easy Connect™ mounting bracket to electrical box with electrical box screws (not included).



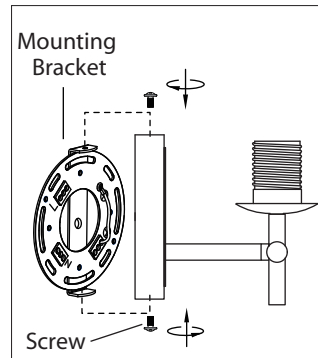
2. **Option 1:** Connect (push) electrical wires from electric box (house wiring) into correct inserts.



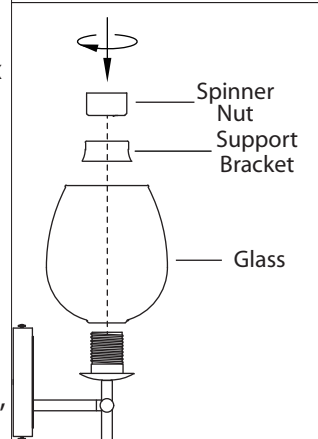
2. **Option 2:** For multiple green (ground), black (live) and white (neutral) wires joined in the electrical box (house wiring), attach a single "green," "black" and "white" jumper wire before connecting. Strip 7mm from the 6" jumper wires supplied. Then connect (push) wires into the correct inserts.



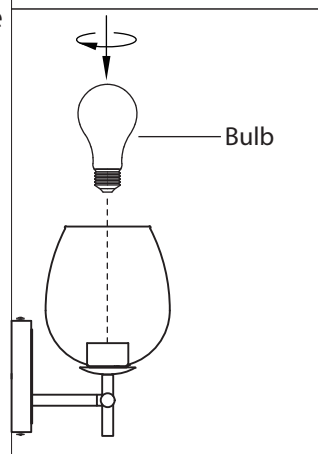
3. Connect (push) electrical wires from fixture into correct inserts.



4. Attach fixture to mounting bracket by tightening the 2 screws.



6. Remove spinner nut and support bracket from socket. Position glass on lamp and secure with spinner nut and support bracket.



7. Install proper bulb type and wattage (not included).