

# OUTDOOR LIGHTING

IOL303  
09/16

**QUESTIONS OR CONCERNS CONTACT AT:**  
1-800-265-1833 (English) / 1-800-567-2513 (French)  
Monday through Friday 8:00 AM to 5:00 PM E.S.T.



INSTRUCTIONS PERTAINING TO RISK OF FIRE OR INJURY TO PERSONS  
READ ALL INSTRUCTIONS

**IMPORTANT SAFETY  
INSTRUCTIONS**  
**SAVE THESE INSTRUCTIONS**

## TOOLS AND MATERIALS REQUIRED:



Phillips  
Screwdriver



Wire Cutters



Pliers



Wrench

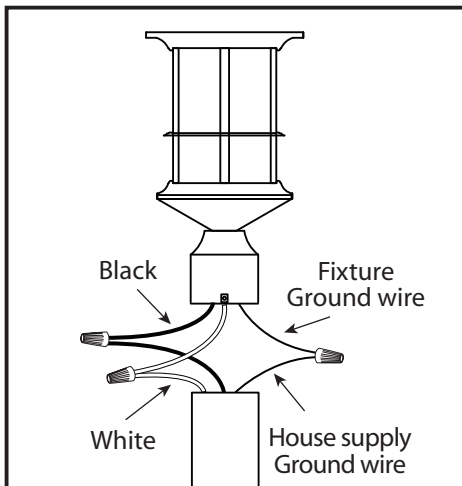
Wiring supplies  
as required by  
local electrical  
code

## SAFETY PRECAUTIONS:

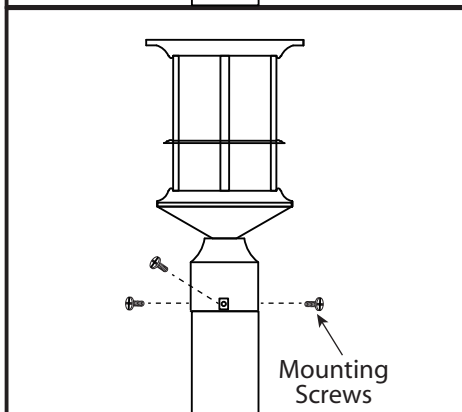
- 1. TURN OFF ELECTRICAL POWER BEFORE STARTING INSTALLATION OF LIGHT FIXTURE.**
- 2. THIS PRODUCT MUST BE INSTALLED IN ACCORDANCE WITH THE APPLICABLE INSTALLATION CODE BY A PERSON FAMILIAR WITH THE CONSTRUCTION AND OPERATION OF THE PRODUCT AND THE HAZARDS INVOLVED.**
- 3. CONNECT THE GROUND WIRE (BARE COPPER OR GREEN) FROM YOUR FIXTURE TO THE GROUND WIRE (BARE COPPER OR GREEN) OF SUPPLY WIRE.**
- 4. TO CLEAN THE FIXTURE, TURN OFF THE POWER, WAIT FOR IT TO COOL, AND WIPE THE FIXTURE WITH A CLEAN, SOFT CLOTH.**

**NOTE: Product may not look exactly as shown in figures.**

## INSTALLATION:

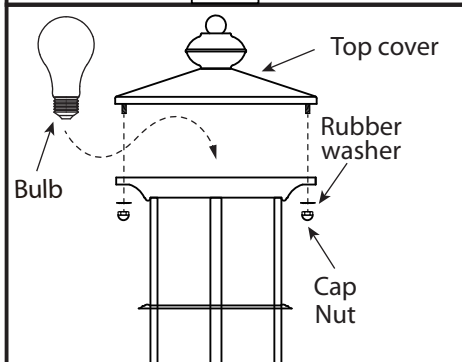


- 1.** Set fixture over the post and mark the location of the three mounting holes on the post. Drill the three holes in the post using a drill bit.



- 2.** Connect the ground wire from the fixture to the supply ground. Attach the black wire from the fixture to the black wire of the supply wire, then white wire to white wire using marrets.

- 3.** Tuck the wires into the post. Align the holes on the fixture with the holes in the post and secure with three mounting screws.



- 4.** Install proper bulb type and wattage (not included).

- 5.** Position the top over the fixture and secure with the rubber washers and cap nuts.