

EASY CONNECT® INSTALLATION INSTRUCTIONS

ICW667A
IT667A
09/16

QUESTIONS OR CONCERNS CONTACT AT:
1-800-265-1833 (English) • 1-800-567-2513 (French)
Monday through Friday 8:00 AM to 5:00 PM E.S.T.



INSTRUCTIONS PERTAINING TO RISK OF FIRE OR INJURY TO PERSONS
READ ALL INSTRUCTIONS

IMPORTANT SAFETY INSTRUCTIONS

SAVE THESE INSTRUCTIONS

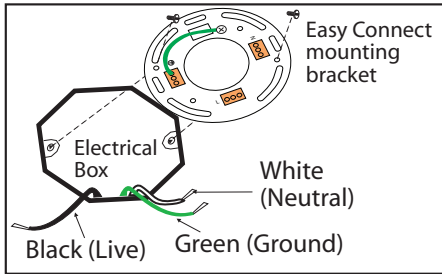
SAFETY PRECAUTIONS:

1. TURN OFF ELECTRICAL POWER BEFORE STARTING INSTALLATION OF LIGHT FIXTURE.
2. WIRING SUPPLIES AS REQUIRED BY LOCAL ELECTRICAL CODE.
3. THIS PRODUCT MUST BE INSTALLED IN ACCORDANCE WITH THE APPLICABLE INSTALLATION CODE BY A PERSON FAMILIAR WITH THE CONSTRUCTION AND OPERATION OF THE PRODUCT AND THE HAZARDS INVOLVED.
4. TO CLEAN THE FIXTURE, TURN OFF THE POWER, WAIT FOR IT TO COOL, AND WIPE THE FIXTURE WITH A CLEAN, SOFT CLOTH.

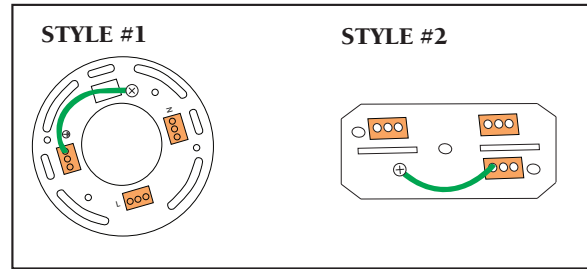
NOTE: Product may not look exactly as shown in figures.

INSTALL EASY CONNECT MOUNTING BRACKET:

STEP 1

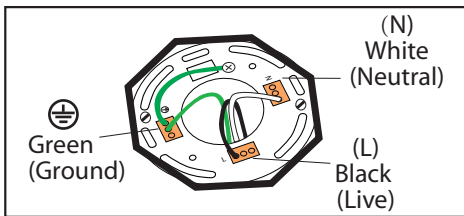


Attach easy connect mounting bracket to electrical box with electrical box screws (not included).



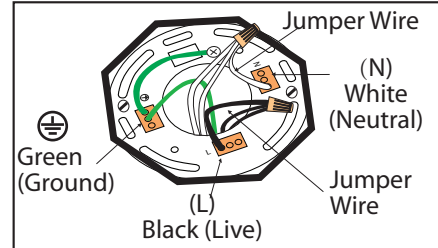
CONNECT HOUSE WIRES

STEP 2 - Option 1



Connect (push) electrical wires from electric box (house wiring) into correct inserts. Black (Live), White (Neutral), Green (Ground)

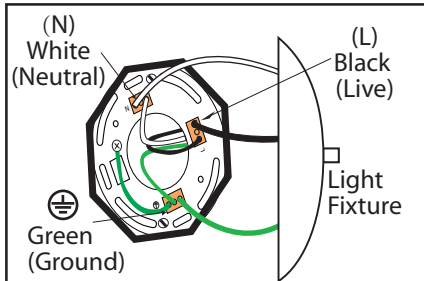
Option 2 - MULTIPLE ELECTRICAL BOX WIRES



For multiple black (live) & white (neutral) wires joined in the electrical box (house wiring), attach a single "black" and "white" Jumper Wire before connecting. Strip 7mm from a 6" Jumper Wires (AWG 12-24) supplied. Then connect (push) wires into correct inserts.

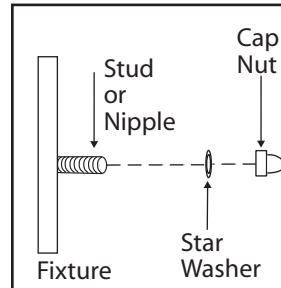
CONNECT LIGHT FIXTURE

STEP 3



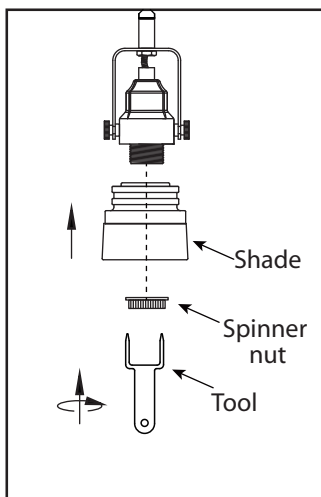
Connect (push) electrical wires from fixture into correct inserts. Black (live), White (neutral), Green (ground)

STEP 4



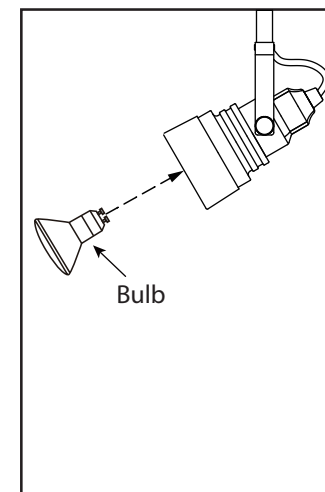
Tuck electrical wires into outlet box and position fixture over studs or nipple on mounting bracket assembly. Secure fixture in place with star washer(s) and cap nut(s). **Note:** If required, assemble body and spread the arms of the fixture out evenly.

STEP 5



Remove spinner nut from socket. Position shade on lamp and secure with spinner nut.

STEP 6



Install proper bulb type and wattage (not included).